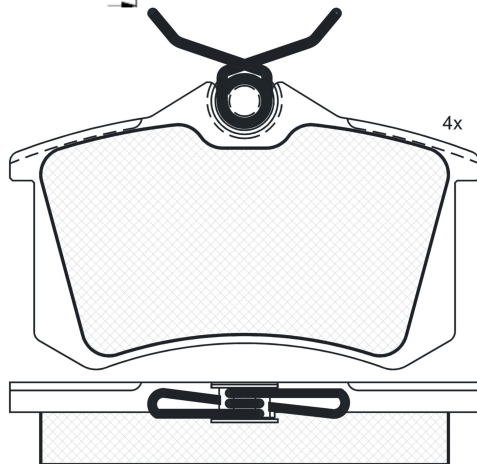
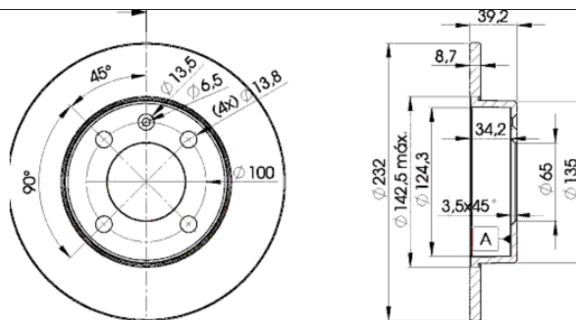


# LISTA DE APLICACIONES - BUYERS GUIDE

## 30789-5608



Weight: 6.870



180789-700



## 30789-5608



Lucas - Girling

87.1x52.9x15.2

Ø232x8.7x39.5

**WVA**

20961

**MAKE**

SEAT



Trac.	CC	Kw	CV
-------	----	----	----



Front / Rear

### SEAT

#### CORDOBA (6K1, 6K2) 02.93-12.02

#### Saloon (Supermini car-B Segment)

Model	Fuel	Trac.	CC	Kw	CV	Period	Front	Rear
1.8 T 20V Cupra (AQX)	Gasolina	FWD	1781	115	156	07.00-10.02	■	■
1.8 T 20V Cupra (AQX)	Gasolina	FWD	1781	115	156	07.00-10.02	■	■
1.8 T 20V Cupra (AYP)	Gasolina	FWD	1781	115	156	07.00-10.02	■	■
1.8 T 20V Cupra (AYP)	Gasolina	FWD	1781	115	156	07.00-10.02	■	■

#### CORDOBA II (6K5) 08.00-12.02

#### Estate Van (Supermini car-B Segment)

1.9 TDI	Diesel	FWD	1896	81	110	08.00-12.02	■	■
1.9 TDI	Diesel	FWD	1896	81	110	08.00-12.02	■	■

#### CORDOBA II (6K2) 06.99-10.02

#### Saloon (Supermini car-B Segment)

1.9 TDI	Diesel	FWD	1896	66	90	06.99-10.02	■	■
1.9 TDI	Diesel	FWD	1896	66	90	06.99-10.02	■	■
1.9 TDI	Diesel	FWD	1896	81	110	06.99-10.02	■	■
1.9 TDI	Diesel	FWD	1896	81	110	06.99-10.02	■	■

#### CORDOBA II Vario (6K5) 06.99-12.02

#### Estate (Supermini car-B Segment)

1.9 TDI	Diesel	FWD	1896	81	110	06.99-12.02	■	■
1.9 TDI	Diesel	FWD	1896	81	110	06.99-12.02	■	■

#### CORDOBA Vario (6K5) 07.96-12.02

#### Estate (Supermini car-B Segment)

1.9 TDI (AFN)	Diesel	FWD	1896	81	110	07.97-12.02	■	■
1.9 TDI (AFN)	Diesel	FWD	1896	81	110	07.97-12.02	■	■
1.9 TDI (ASV)	Diesel	FWD	1896	81	110	07.97-12.02	■	■
1.9 TDI (ASV)	Diesel	FWD	1896	81	110	07.97-12.02	■	■

# LISTA DE APLICACIONES - BUYERS GUIDE

<b>IBIZA II (6K1) 03.93-05.02</b>					<b>Hatchback (Supermini car-B Segment)</b>			
1.8 T 20V Cupra (AQX)	Gasolina	FWD	1781	115	156	07.00-02.02	■	
1.8 T 20V Cupra (AQX)	Gasolina	FWD	1781	115	156	07.00-02.02	■	
1.8 T 20V Cupra (AYP)	Gasolina	FWD	1781	115	156	07.00-02.02	■	
1.8 T 20V Cupra (AYP)	Gasolina	FWD	1781	115	156	07.00-02.02	■	
1.9 TDI	Diesel	RWD	1896	81	110	08.99-02.02	■	
1.9 TDI	Diesel	RWD	1896	81	110	08.99-02.02	■	