

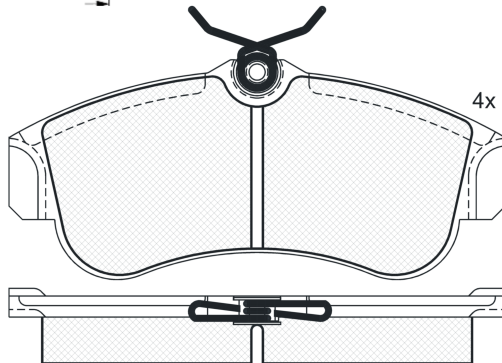
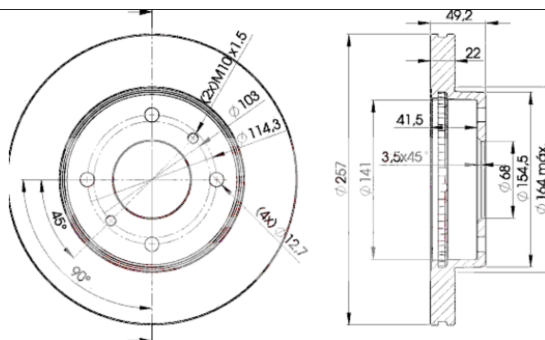
LISTA DE APLICACIONES - BUYERS GUIDE

30803-7101

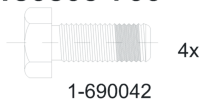


8 424073 103178

Weight: 13.299



180803-700



30803-7101



Lucas - Girling

129.2x57.4x17.5

Ø257x22x49.2

WVA

21546

MAKE

NISSAN



Trac.	CC	Kw	CV
-------	----	----	----



Front / Rear

NISSAN

ALMERA II / PULSAR / SENTRA (N16) 04.00-

Saloon (Compact car-C Segment)

Model	Year	Engine	Trac.	CC	Kw	CV	Period	Front	Rear
1.5 (QG15DE)	01/01-	Gasolina	FWD	1498	66	90	07.00-11.06	■	■
1.5 (QG15DE)	01/01-	Gasolina	FWD	1498	66	90	07.00-11.06	■	■

PRIMERA (P10) 06.90-06.96

Hatchback (Large family car-D Segment)

Model	Year	Engine	Trac.	CC	Kw	CV	Period	Front	Rear
1.6 (GA16DE)		Gasolina	FWD	1597	75	102	06.93-01.96	■	■
1.6 (GA16DE)		Gasolina	FWD	1597	75	102	06.93-01.96	■	■
2.0 16V (SR20DI)	-12/95	Gasolina	FWD	1998	85	116	06.90-01.96	■	■
2.0 16V (SR20DI)	-12/95	Gasolina	FWD	1998	85	116	06.90-01.96	■	■
2.0 16V 4x4 (SR20DI)		Gasolina	4WD	1998	85	116	04.91-06.96	■	■
2.0 16V 4x4 (SR20DI)		Gasolina	4WD	1998	85	116	04.91-06.96	■	■
2.0 i (SR20DE)		Gasolina	FWD	1998	92	125	01.95-06.96	■	■
2.0 i (SR20DE)		Gasolina	FWD	1998	92	125	01.95-06.96	■	■
2.0 (SR20DE)		Gasolina	FWD	1998	105	143	06.90-04.93	■	■
2.0 (SR20DE)		Gasolina	FWD	1998	105	143	06.90-04.93	■	■
2.0 GT		Gasolina	FWD	1998	105	143	03.91-04.93	■	■
2.0 GT		Gasolina	FWD	1998	105	143	03.91-04.93	■	■
2.0 (SR20DE)		Gasolina	FWD	1998	110	150	06.90-01.96	■	■
2.0 (SR20DE)		Gasolina	FWD	1998	110	150	06.90-01.96	■	■

PRIMERA (P10) 06.90-06.96

Saloon (Large family car-D Segment)

Model	Year	Engine	Trac.	CC	Kw	CV	Period	Front	Rear
1.6 (GA16DE)		Gasolina	FWD	1597	75	102	06.93-01.96	■	■
1.6 (GA16DE)		Gasolina	FWD	1597	75	102	06.93-01.96	■	■
2.0 16V (SR20DI)	-12/95	Gasolina	FWD	1998	85	116	06.90-01.96	■	■
2.0 16V (SR20DI)	-12/95	Gasolina	FWD	1998	85	116	06.90-01.96	■	■

LISTA DE APLICACIONES - BUYERS GUIDE

2.0 16V 4x4 (SR20DI)		Gasolina	4WD	1998	85	116	04.91-06.96	■	
2.0 16V 4x4 (SR20DI)		Gasolina	4WD	1998	85	116	04.91-06.96	■	
2.0 i (SR20DE)		Gasolina	FWD	1998	92	125	01.95-06.96	■	
2.0 i (SR20DE)		Gasolina	FWD	1998	92	125	01.95-06.96	■	
2.0		Gasolina	FWD	1998	105	143	06.90-04.93	■	
2.0		Gasolina	FWD	1998	105	143	06.90-04.93	■	
2.0 GT 4x4 (SR20DE)		Gasolina	4WD	1998	105	143	03.91-04.93	■	
2.0 GT 4x4 (SR20DE)		Gasolina	4WD	1998	105	143	03.91-04.93	■	
2.0 4x4 (SR20DE)		Gasolina	4WD	1998	110	150	03.91-04.93	■	
2.0 4x4 (SR20DE)		Gasolina	4WD	1998	110	150	03.91-04.93	■	
2.0 GT (SR20DE)		Gasolina	FWD	1998	110	150	06.90-01.96	■	
2.0 GT (SR20DE)		Gasolina	FWD	1998	110	150	06.90-01.96	■	
PRIMERA II (P11) 06.96-07.02							Hatchback (Large family car-D Segment)		
1.6 16V (GA16DE)	-12/98	Gasolina	FWD	1597	66	90	09.96-07.02	■	
1.6 16V (GA16DE)	-12/98	Gasolina	FWD	1597	66	90	09.96-07.02	■	
1.6 16V (GA16DE)	-12/98	Gasolina	FWD	1597	73	99	09.96-07.02	■	
1.6 16V (GA16DE)	-12/98	Gasolina	FWD	1597	73	99	09.96-07.02	■	
2.0 16V (SR20DE)	-12/98	Gasolina	FWD	1998	85	115	09.96-07.02	■	
2.0 16V (SR20DE)	-12/98	Gasolina	FWD	1998	85	115	09.96-07.02	■	
2.0 16V (SR20DE)	-12/98	Gasolina	FWD	1998	96	131	09.96-07.02	■	
2.0 16V (SR20DE)	-12/98	Gasolina	FWD	1998	96	131	09.96-07.02	■	
2.0 TD (CD20T)	-12/98	Diesel	FWD	1974	66	90	09.96-07.02	■	
2.0 TD (CD20T)	-12/98	Diesel	FWD	1974	66	90	09.96-07.02	■	
PRIMERA II (P11) 06.96-07.02							Saloon (Large family car-D Segment)		
1.6 16V (GA16DE)	-12/98	Gasolina	FWD	1597	66	90	09.96-12.01	■	
1.6 16V (GA16DE)	-12/98	Gasolina	FWD	1597	66	90	09.96-12.01	■	
1.6 16V (GA16DE)	-12/98	Gasolina	FWD	1597	73	99	09.96-10.00	■	
1.6 16V (GA16DE)	-12/98	Gasolina	FWD	1597	73	99	09.96-10.00	■	
1.8		Gasolina	FWD	1769	96	131	06.96-05.99	■	
1.8		Gasolina	FWD	1769	96	131	06.96-05.99	■	
2.0 16V (SR20DE)	-12/98	Gasolina	FWD	1998	85	115	09.96-12.01	■	
2.0 16V (SR20DE)	-12/98	Gasolina	FWD	1998	85	115	09.96-12.01	■	
2.0 16V (SR20DE)	-12/98	Gasolina	FWD	1998	96	131	09.96-12.01	■	
2.0 16V (SR20DE)	-12/98	Gasolina	FWD	1998	96	131	09.96-12.01	■	
2.0 TD (CD20T)	-12/98	Diesel	FWD	1974	66	90	09.96-12.01	■	
2.0 TD (CD20T)	-12/98	Diesel	FWD	1974	66	90	09.96-12.01	■	