

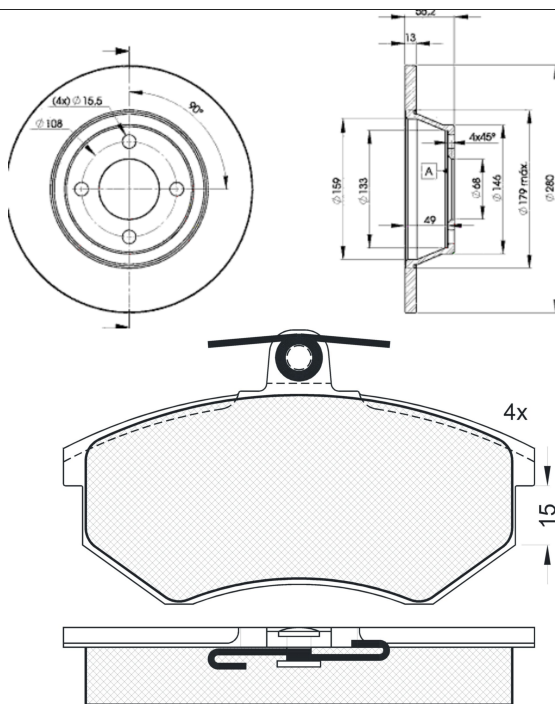
# LISTA DE APLICACIONES - BUYERS GUIDE

## 30835-8014

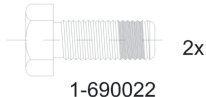


8 424073 106414

Weight: 13.002



### 180835-700



## 30835-8014



Lucas - Girling

119x69.6x19.6

Ø280x13x56.2

**WVA**

20778

**MAKE**

AUDI



Trac.	CC	Kw	CV
-------	----	----	----



Front / Rear

### AUDI

#### 80 V B4 / 90 (8C2) 09.91-07.95

#### Saloon (Compact executive car-D Segment)

Engine	Year	Fuel	Trac.	CC	Kw	CV	Period	Application
2.0 (ABT)	01/92-	Gasolina	FWD	1984	66	90	09.91-12.94	■
2.0 (ABT)	01/92-	Gasolina	FWD	1984	66	90	09.91-12.94	■
2.0 E (ABK)	01/92-	Gasolina	FWD	1984	85	115	09.91-12.94	■
2.0 E (ABK)	01/92-	Gasolina	FWD	1984	85	115	09.91-12.94	■
1.9 TD (AAZ)	01/92-	Diesel	FWD	1896	55	75	09.91-12.94	■
1.9 TD (AAZ)	01/92-	Diesel	FWD	1896	55	75	09.91-12.94	■
1.9 TDI (1Z)	01/92-	Diesel	FWD	1896	66	90	09.91-12.94	■
1.9 TDI (1Z)	01/92-	Diesel	FWD	1896	66	90	09.91-12.94	■

#### 80 V B4 Avant / 90 (8C5) 09.91-01.96

#### Estate (Compact executive car-D Segment)

Engine	Year	Fuel	Trac.	CC	Kw	CV	Period	Application
2.0 (ABT)	-12/93	Gasolina	FWD	1984	66	90	07.92-01.96	■
2.0 (ABT)	-12/93	Gasolina	FWD	1984	66	90	07.92-01.96	■
1.9 TDI (1Z)	-12/93	Diesel	FWD	1896	66	90	07.92-01.96	■
1.9 TDI (1Z)	-12/93	Diesel	FWD	1896	66	90	07.92-01.96	■