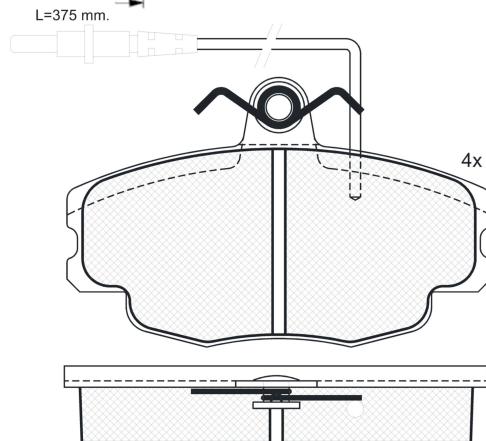
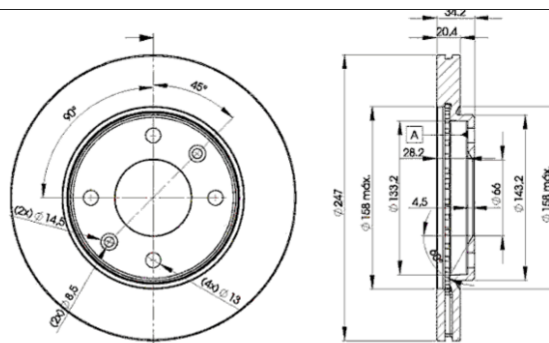


LISTA DE APLICACIONES - BUYERS GUIDE

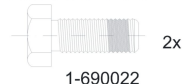
30863-4694



Weight: 10.393



180863-700



30863-4694



Lucas - Girling

99.95x63.47x18

Ø247x20.4x34.2

WVA

21460

MAKE

CITROËN



Trac.	CC	Kw	CV
-------	----	----	----



Front / Rear

CITROËN

ZX (N2) 10.93-07.99

Estate (Compact car-C Segment)

Model	Trac.	CC	Kw	CV	Year Range	Application
1.6 i (BDY (XU5M))	FWD	1580	65	88	10.93-10.97	■
1.6 i (BDY (XU5M))	FWD	1580	65	88	10.93-10.97	■
1.6 i (BFZ (XU5JP))	FWD	1580	65	88	10.93-10.97	■
1.6 i (BFZ (XU5JP))	FWD	1580	65	88	10.93-10.97	■
1.8 i (LFZ (XU7JP))	FWD	1761	74	101	10.93-10.97	■
1.8 i (LFZ (XU7JP))	FWD	1761	74	101	10.93-10.97	■
1.8 i 16V (LFY (XU7JP4))	FWD	1761	81	110	01.96-02.98	■
1.8 i 16V (LFY (XU7JP4))	FWD	1761	81	110	01.96-02.98	■
1.9 TD (DHY (XUD9TE/Y))	FWD	1905	66	90	10.93-10.97	■
1.9 TD (DHY (XUD9TE/Y))	FWD	1905	66	90	10.93-10.97	■

ZX (N2) 03.91-07.99

Hatchback (Compact car-C Segment)

Model	Trac.	CC	Kw	CV	Year Range	Application
1.6 i (BDY (XU5M))	FWD	1580	65	88	03.91-06.97	■
1.6 i (BDY (XU5M))	FWD	1580	65	88	03.91-06.97	■
1.6 i (BFZ (XU5JP))	FWD	1580	65	88	03.91-06.97	■
1.6 i (BFZ (XU5JP))	FWD	1580	65	88	03.91-06.97	■
1.8 i (LFZ (XU7JP))	FWD	1761	74	101	07.92-06.97	■
1.8 i (LFZ (XU7JP))	FWD	1761	74	101	07.92-06.97	■
1.8 i 16V (LFY (XU7JP4))	FWD	1761	81	110	01.96-06.97	■
1.8 i 16V (LFY (XU7JP4))	FWD	1761	81	110	01.96-06.97	■
2.0 i (RFX (XU10J2C))	FWD	1998	89	121	07.92-06.97	■
2.0 i (RFX (XU10J2C))	FWD	1998	89	121	07.92-06.97	■