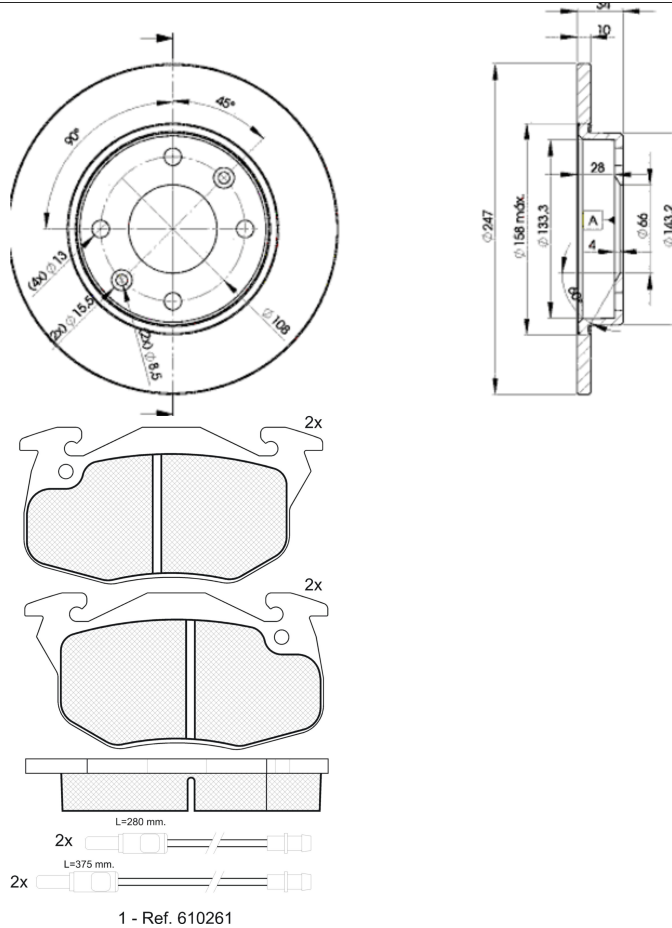


LISTA DE APLICACIONES - BUYERS GUIDE

30864-4689



Weight: 8.030



30864-4689



Bendix

105.1x54.4x18
Ø247x10x34

WVA
20906

MAKE
CITROËN
PEUGEOT



Trac.	CC	Kw	CV
-------	----	----	----



Front / Rear

CITROËN

C15 (VD_) 10.84-10.06

Box Body/MPV (LCVs-N1 Segment)

Model	Year	Engine	Drive	CC	Kw	CV	Period	Position
1.1 i (HDZ (TU1M))		Gasolina	FWD	1124	44	60	07.88-12.96	■
1.1 i (HDZ (TU1M))		Gasolina	FWD	1124	44	60	07.88-12.96	■
1.4 E (K3A)	01/89-	Gasolina	FWD	1360	40	55	07.87-12.96	■
1.4 E (K3A)	01/89-	Gasolina	FWD	1360	40	55	07.87-12.96	■
1.4 E (150D (XY7))	01/89-	Gasolina	FWD	1360	44	60	05.87-12.96	■
1.4 E (150D (XY7))	01/89-	Gasolina	FWD	1360	44	60	05.87-12.96	■
1.4 (K1H (TU3A))	01/89-	Gasolina	FWD	1360	49	67	07.87-12.96	■
1.4 (K1H (TU3A))	01/89-	Gasolina	FWD	1360	49	67	07.87-12.96	■
1.4 i (KDY (TU3FM))	01/92-	Gasolina	FWD	1360	55	75	05.91-12.96	■
1.4 i (KDY (TU3FM))	01/92-	Gasolina	FWD	1360	55	75	05.91-12.96	■
1.4 i (KDY (TU3M))	01/92-	Gasolina	FWD	1360	55	75	05.91-12.96	■
1.4 i (KDY (TU3M))	01/92-	Gasolina	FWD	1360	55	75	05.91-12.96	■
1.9 D (WJX (DW8B))	-12/03	Diesel	FWD	1868	44	60	12.00-12.05	■
1.9 D (WJX (DW8B))	-12/03	Diesel	FWD	1868	44	60	12.00-12.05	■

ZX (N2) 10.93-07.99

Estate (Compact car-C Segment)

1.4 i (KDX (TU3M/Z))		Gasolina	FWD	1360	55	75	10.93-10.97	■
1.4 i (KDX (TU3M/Z))		Gasolina	FWD	1360	55	75	10.93-10.97	■
1.4 i (KDY (TU3M))		Gasolina	FWD	1360	55	75	10.93-10.97	■
1.4 i (KDY (TU3M))		Gasolina	FWD	1360	55	75	10.93-10.97	■
1.4 i (KFX (TU3JP))		Gasolina	FWD	1360	55	75	10.93-10.97	■
1.4 i (KFX (TU3JP))		Gasolina	FWD	1360	55	75	10.93-10.97	■
1.9		Gasolina	FWD	1905	51	69	10.93-07.97	■
1.9		Gasolina	FWD	1905	51	69	10.93-07.97	■

LISTA DE APLICACIONES - BUYERS GUIDE

1.8 D (161A (XUD7))		Diesel	FWD	1769	44	60	10.93-10.97	■	
1.8 D (161A (XUD7))		Diesel	FWD	1769	44	60	10.93-10.97	■	
1.9 D (DJZ (XUD9A))		Diesel	FWD	1905	47	64	10.93-10.97	■	
1.9 D (DJZ (XUD9A))		Diesel	FWD	1905	47	64	10.93-10.97	■	
							Hatchback (Compact car-C Segment)		
ZX (N2) 03.91-07.99									
1.1 (H1A)		Gasolina	FWD	1124	40	54	03.91-08.93	■	
1.1 (H1A)		Gasolina	FWD	1124	40	54	03.91-08.93	■	
1.1 (H1B)		Gasolina	FWD	1124	40	54	03.91-08.93	■	
1.1 (H1B)		Gasolina	FWD	1124	40	54	03.91-08.93	■	
1.1 (HDZ (TU1M))		Gasolina	FWD	1124	44	60	03.91-06.97	■	
1.1 (HDZ (TU1M))		Gasolina	FWD	1124	44	60	03.91-06.97	■	
1.4 (KDZ (TU3M/Z))		Gasolina	FWD	1360	55	75	03.91-06.97	■	
1.4 (KDZ (TU3M/Z))		Gasolina	FWD	1360	55	75	03.91-06.97	■	
1.4 i (KDX (TU3M/Z))		Gasolina	FWD	1360	55	75	03.91-06.97	■	
1.4 i (KDX (TU3M/Z))		Gasolina	FWD	1360	55	75	03.91-06.97	■	
1.4 i (KDZ (TU3M/Z))		Gasolina	FWD	1360	55	75	03.91-06.97	■	
1.4 i (KDZ (TU3M/Z))		Gasolina	FWD	1360	55	75	03.91-06.97	■	
1.4 i (KFX (TU3JP))		Gasolina	FWD	1360	55	75	03.91-06.97	■	
1.4 i (KFX (TU3JP))		Gasolina	FWD	1360	55	75	03.91-06.97	■	
1.9		Gasolina	FWD	1905	51	69	10.93-07.97	■	
1.9		Gasolina	FWD	1905	51	69	10.93-07.97	■	
1.8 D (161A (XUD7))		Diesel	FWD	1769	44	60	06.93-06.97	■	
1.8 D (161A (XUD7))		Diesel	FWD	1769	44	60	06.93-06.97	■	
1.9 D (DJZ (XUD9A))		Diesel	FWD	1905	47	64	03.91-06.97	■	
1.9 D (DJZ (XUD9A))		Diesel	FWD	1905	47	64	03.91-06.97	■	
1.9 D (D9B (XUD9A/U))		Diesel	FWD	1905	50	68	07.93-06.97	■	
1.9 D (D9B (XUD9A/U))		Diesel	FWD	1905	50	68	07.93-06.97	■	
1.9 D (DJY (XUD9A))		Diesel	FWD	1905	50	68	07.93-06.97	■	
1.9 D (DJY (XUD9A))		Diesel	FWD	1905	50	68	07.93-06.97	■	
PEUGEOT									
							Hatchback (Supermini car-B Segment)		
106 (1A, 1C) 08.91-04.96									
1.4 (K5A (TU3))	-12/95	Gasolina	FWD	1360	51	69	08.91-03.96	■	
1.4 (K5A (TU3))	-12/95	Gasolina	FWD	1360	51	69	08.91-03.96	■	
1.4 (KDX (TU3MC))		Gasolina	FWD	1360	55	75	09.91-04.96	■	
1.4 (KDX (TU3MC))		Gasolina	FWD	1360	55	75	09.91-04.96	■	
1.4 (KDY (TU3M))		Gasolina	FWD	1360	55	75	09.91-04.96	■	
1.4 (KDY (TU3M))		Gasolina	FWD	1360	55	75	09.91-04.96	■	
1.4 Le Mans (KFZ (TU3J2/Z))		Gasolina	FWD	1361	69	94	09.91-11.94	■	
1.4 Le Mans (KFZ (TU3J2/Z))		Gasolina	FWD	1361	69	94	09.91-11.94	■	
1.6 (NFZ (TU5JP))	-12/95	Gasolina	FWD	1587	65	88	06.93-04.96	■	
1.6 (NFZ (TU5JP))	-12/95	Gasolina	FWD	1587	65	88	06.93-04.96	■	
1.6 (NFY (TU5J2))	-12/95	Gasolina	FWD	1587	76	103	11.94-04.96	■	
1.6 (NFY (TU5J2))	-12/95	Gasolina	FWD	1587	76	103	11.94-04.96	■	
1.5 D (VJY (TUD5))		Diesel	FWD	1527	40	54	06.94-04.96	■	
1.5 D (VJY (TUD5))		Diesel	FWD	1527	40	54	06.94-04.96	■	
1.5 D (VJY (TUD5))		Diesel	FWD	1527	43	58	06.94-04.96	■	
1.5 D (VJY (TUD5))		Diesel	FWD	1527	43	58	06.94-04.96	■	
1.5 D (VJZ (TUD5))		Diesel	FWD	1527	43	58	06.94-04.96	■	
1.5 D (VJZ (TUD5))		Diesel	FWD	1527	43	58	06.94-04.96	■	

LISTA DE APLICACIONES - BUYERS GUIDE

106 II (1S_) 04.96-03.01					Hatchback Van (LCVs-N1 Segment)			
1.5 D (VJY (TUD5))		Diesel	FWD	1527	40	55	05.96-03.01	■
1.5 D (VJY (TUD5))		Diesel	FWD	1527	40	55	05.96-03.01	■
1.5 D (VJX (TUD5))		Diesel	FWD	1527	42	57	06.96-03.01	■
1.5 D (VJX (TUD5))		Diesel	FWD	1527	42	57	06.96-03.01	■
306 (7A, 7C, N3, N5) 01.93-10.03					Hatchback (Compact car-C Segment)			
1.1 (HDZ (TU1M))	-12/97	Gasolina	FWD	1124	44	60	05.93-05.01	■
1.1 (HDZ (TU1M))	-12/97	Gasolina	FWD	1124	44	60	05.93-05.01	■
1.4 (KDX (TU3MC))	-12/97	Gasolina	FWD	1360	55	75	04.93-07.01	■
1.4 (KDX (TU3MC))	-12/97	Gasolina	FWD	1360	55	75	04.93-07.01	■
1.4 (KFW (TU3JP))	-12/97	Gasolina	FWD	1360	55	75	04.93-07.01	■
1.4 (KFW (TU3JP))	-12/97	Gasolina	FWD	1360	55	75	04.93-07.01	■
1.4 (KFX (TU3JP))	-12/97	Gasolina	FWD	1360	55	75	04.93-07.01	■
1.4 (KFX (TU3JP))	-12/97	Gasolina	FWD	1360	55	75	04.93-07.01	■
306 (7B, N3, N5) 04.93-10.03					Saloon (Compact car-C Segment)			
1.1 (HDZ (TU1M))	-12/97	Gasolina	FWD	1124	44	60	06.94-05.01	■
1.1 (HDZ (TU1M))	-12/97	Gasolina	FWD	1124	44	60	06.94-05.01	■
1.4 SL (KDX (TU3MC))	-12/97	Gasolina	FWD	1360	55	75	06.94-05.01	■
1.4 SL (KDX (TU3MC))	-12/97	Gasolina	FWD	1360	55	75	06.94-05.01	■
1.4 SL (KFW (TU3JP))	-12/97	Gasolina	FWD	1360	55	75	06.94-05.01	■
1.4 SL (KFW (TU3JP))	-12/97	Gasolina	FWD	1360	55	75	06.94-05.01	■
1.4 SL (KFX (TU3JP))	-12/97	Gasolina	FWD	1360	55	75	06.94-05.01	■
1.4 SL (KFX (TU3JP))	-12/97	Gasolina	FWD	1360	55	75	06.94-05.01	■