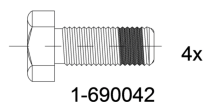
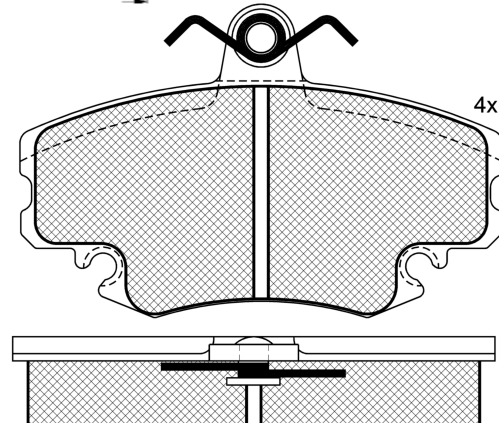
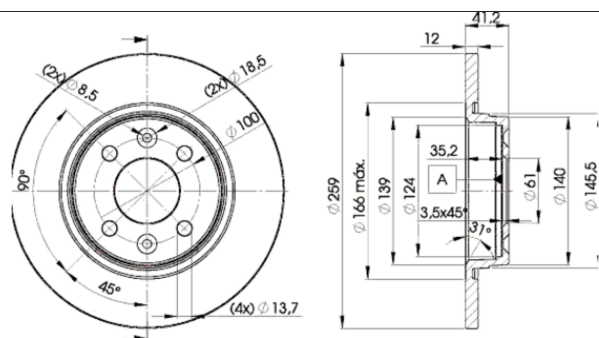


LISTA DE APLICACIONES - BUYERS GUIDE

30993-4707



Weight: 10.405



30993-4707



Lucas - Girling

99.9x64.9x18

Ø259x12x41

WVA

21404

21463

MAKE

DACIA



Trac.	CC	Kw	CV
-------	----	----	----



Front / Rear

DACIA

LOGAN (LS_) 08.04-

Saloon (Compact car-C Segment)

Model	Trac.	CC	Kw	CV	Year	Front	Rear
1.4 (LS0A, LS0C, LS0E, LS0G) (K7J 710)	Gasolina	FWD	1390	55	75	09.04-	■
1.4 (LS0A, LS0C, LS0E, LS0G) (K7J 710)	Gasolina	FWD	1390	55	75	09.04-	■
1.6 (LS0B, LS0D, LS0F, LS0H) (K7M 710)	Gasolina	FWD	1598	64	87	09.04-	■
1.6 (LS0B, LS0D, LS0F, LS0H) (K7M 710)	Gasolina	FWD	1598	64	87	09.04-	■
1.6 16V (LS09, LS0L, LS0M, LS0P, LS0V, LS18, LS1S, LS1V,... (K4M 690)	Gasolina	FWD	1598	77	105	02.06-	■
1.6 16V (LS09, LS0L, LS0M, LS0P, LS0V, LS18, LS1S, LS1V,... (K4M 690)	Gasolina	FWD	1598	77	105	02.06-	■
1.6 16V (LS09, LS0L, LS0M, LS0P, LS0V, LS18, LS1S, LS1V,... (K4M 694)	Gasolina	FWD	1598	77	105	02.06-	■
1.6 16V (LS09, LS0L, LS0M, LS0P, LS0V, LS18, LS1S, LS1V,... (K4M 694)	Gasolina	FWD	1598	77	105	02.06-	■
1.6 16V (LS09, LS0L, LS0M, LS0P, LS0V, LS18, LS1S, LS1V,... (K4M 696)	Gasolina	FWD	1598	77	105	02.06-	■
1.6 16V (LS09, LS0L, LS0M, LS0P, LS0V, LS18, LS1S, LS1V,... (K4M 696)	Gasolina	FWD	1598	77	105	02.06-	■
1.6 16V (LS09, LS0L, LS0M, LS0P, LS0V, LS18, LS1S, LS1V,... (K4M 697)	Gasolina	FWD	1598	77	105	02.06-	■
1.6 16V (LS09, LS0L, LS0M, LS0P, LS0V, LS18, LS1S, LS1V,... (K4M 697)	Gasolina	FWD	1598	77	105	02.06-	■
1.6 16V (LS09, LS0L, LS0M, LS0P, LS0V, LS18, LS1S, LS1V,... (K4M 698)	Gasolina	FWD	1598	77	105	02.06-	■
1.6 16V (LS09, LS0L, LS0M, LS0P, LS0V, LS18, LS1S, LS1V,... (K4M 698)	Gasolina	FWD	1598	77	105	02.06-	■
1.5 dCi (LS0J, LS0Y) (K9K 790)	Diesel	FWD	1461	48	65	09.05-	■
1.5 dCi (LS0J, LS0Y) (K9K 790)	Diesel	FWD	1461	48	65	09.05-	■
1.5 dCi (LS0K) (K9K 792)	Diesel	FWD	1461	50	68	01.06-12.12	■
1.5 dCi (LS0K) (K9K 792)	Diesel	FWD	1461	50	68	01.06-12.12	■
1.5 dCi (LS0W) (K9K 796)	Diesel	FWD	1461	63	86	09.07-12.11	■

LISTA DE APLICACIONES - BUYERS GUIDE

1.5 dCi (LS0W) (K9K 796)	Diesel	FWD	1461	63	86	09.07-12.11	■
LOGAN EXPRESS (FS_) 10.07-				Estate Van (Compact car-C Segment)			
1.4 (K7J 710)	Gasolina	FWD	1390	55	75	03.09-	■
1.4 (K7J 710)	Gasolina	FWD	1390	55	75	03.09-	■
1.6 (K7M 710)	Gasolina	FWD	1598	64	87	03.09-	■
1.6 (K7M 710)	Gasolina	FWD	1598	64	87	03.09-	■
SANDERO (BS_) 06.08-				Hatchback (Compact car-C Segment)			
1.4 (BS0C, BS0A, BS0G, BS1F, BS0E) (K7J 710)	Gasolina	FWD	1390	55	75	06.08-12.12	■
1.4 (BS0C, BS0A, BS0G, BS1F, BS0E) (K7J 710)	Gasolina	FWD	1390	55	75	06.08-12.12	■
1.6 (BS0D, BS0B, BS0F, BS0H) (K7M 710)	Gasolina	FWD	1598	64	87	06.08-12.12	■
1.6 (BS0D, BS0B, BS0F, BS0H) (K7M 710)	Gasolina	FWD	1598	64	87	06.08-12.12	■
1.6 16V Bifuel (K4M 690)	Gasol./Etanol	FWD	1598	77	105	01.11-12.12	■
1.6 16V Bifuel (K4M 690)	Gasol./Etanol	FWD	1598	77	105	01.11-12.12	■
1.6 16V Bifuel (K4M 694)	Gasol./Etanol	FWD	1598	77	105	01.11-12.12	■
1.6 16V Bifuel (K4M 694)	Gasol./Etanol	FWD	1598	77	105	01.11-12.12	■
1.6 16V Bifuel (K4M 696)	Gasol./Etanol	FWD	1598	77	105	01.11-12.12	■
1.6 16V Bifuel (K4M 696)	Gasol./Etanol	FWD	1598	77	105	01.11-12.12	■
1.5 dCi (K9K 792)	Diesel	FWD	1461	50	68	11.08-12.12	■
1.5 dCi (K9K 792)	Diesel	FWD	1461	50	68	11.08-12.12	■