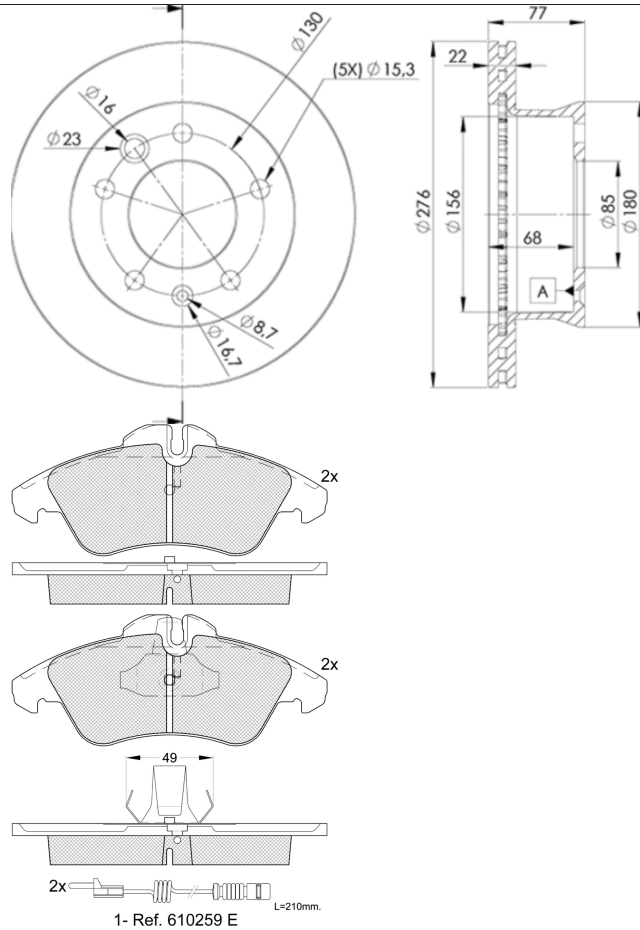


LISTA DE APLICACIONES - BUYERS GUIDE

31104-0181



Weight: 16.600



31104-0181



Ate - Teves

156.4x64.9x141104
Ø276x22x77

WVA
21576

MAKE
MERCEDES-BENZ



Trac.	CC	Kw	CV
-------	----	----	----



Front / Rear

MERCEDES-BENZ

SPRINTER 2-Ton. (B901, B902) 01.95-05.06

Bus (Minibus-M2-Segment)

214 (902.071, 902.072, 902.671, 902.672) (M 111.979)	Gasolina	RWD	2295	105	143	02.95-05.06	■
214 (902.071, 902.072, 902.671, 902.672) (M 111.979)	Gasolina	RWD	2295	105	143	02.95-05.06	■
214 (902.071, 902.072, 902.671, 902.672) (M 111.984)	Gasolina	RWD	2295	105	143	02.95-05.06	■
214 (902.071, 902.072, 902.671, 902.672) (M 111.984)	Gasolina	RWD	2295	105	143	02.95-05.06	■
214 NGT (902.072, 902.671, 902.672) (M 111.979)	Gasol./Gas (CNG)	RWD	2295	95	129	02.95-05.06	■
214 NGT (902.072, 902.671, 902.672) (M 111.979)	Gasol./Gas (CNG)	RWD	2295	95	129	02.95-05.06	■
214 NGT (902.072, 902.671, 902.672) (M 111.984)	Gasol./Gas (CNG)	RWD	2295	95	129	02.95-05.06	■
214 NGT (902.072, 902.671, 902.672) (M 111.984)	Gasol./Gas (CNG)	RWD	2295	95	129	02.95-05.06	■
208 CDI (901.671, 902.671, 902.672) (OM 611.987)	Diesel	RWD	2148	60	82	04.00-05.06	■
208 CDI (901.671, 902.671, 902.672) (OM 611.987)	Diesel	RWD	2148	60	82	04.00-05.06	■
211 CDI (902.671, 902.672) (OM 611.981)	Diesel	RWD	2148	80	109	04.00-05.06	■
211 CDI (902.671, 902.672) (OM 611.981)	Diesel	RWD	2148	80	109	04.00-05.06	■
213 CDI (902.671, 902.672) (OM 611.981)	Diesel	RWD	2148	95	129	04.00-05.06	■
213 CDI (902.671, 902.672) (OM 611.981)	Diesel	RWD	2148	95	129	04.00-05.06	■
208 D (901.371, 902.371, 902.372) (OM 601.943)	Diesel	RWD	2299	58	79	02.95-04.00	■

LISTA DE APLICACIONES - BUYERS GUIDE

208 D (901.371, 902.371, 902.372) (OM 601.943)	Diesel	RWD	2299	58	79	02.95-04.00	■
216 CDI (902.671, 902.672) (OM 612.981)	Diesel	RWD	2685	115	156	04.00-05.06	■
216 CDI (902.671, 902.672) (OM 612.981)	Diesel	RWD	2685	115	156	04.00-05.06	■
210 D (902.471, 902.472) (OM 602.980)	Diesel	RWD	2874	75	102	03.97-04.00	■
210 D (902.471, 902.472) (OM 602.980)	Diesel	RWD	2874	75	102	03.97-04.00	■
212 D (902.471, 902.472) (OM 602.980)	Diesel	RWD	2874	90	122	02.95-04.00	■
212 D (902.471, 902.472) (OM 602.980)	Diesel	RWD	2874	90	122	02.95-04.00	■
SPRINTER 2-Ton. (B901, B902) 01.95-05.06						Platform/Chassis (LCVs-N1 Segment)	
214 (902.011, 902.012, 902.611, 902.612) (M 111.979)	Gasolina	RWD	2295	105	143	02.95-05.06	■
214 (902.011, 902.012, 902.611, 902.612) (M 111.979)	Gasolina	RWD	2295	105	143	02.95-05.06	■
214 (902.011, 902.012, 902.611, 902.612) (M 111.984)	Gasolina	RWD	2295	105	143	02.95-05.06	■
214 (902.011, 902.012, 902.611, 902.612) (M 111.984)	Gasolina	RWD	2295	105	143	02.95-05.06	■
214 NGT (902.012, 902.611, 902.612) (M 111.979)	Gasol./Gas (CNG)	RWD	2295	95	129	02.95-05.06	■
214 NGT (902.012, 902.611, 902.612) (M 111.979)	Gasol./Gas (CNG)	RWD	2295	95	129	02.95-05.06	■
214 NGT (902.012, 902.611, 902.612) (M 111.984)	Gasol./Gas (CNG)	RWD	2295	95	129	02.95-05.06	■
214 NGT (902.012, 902.611, 902.612) (M 111.984)	Gasol./Gas (CNG)	RWD	2295	95	129	02.95-05.06	■
208 CDI (901.611, 901.612, 901.621, 902.611, 902.612,... (OM 611.987)	Diesel	RWD	2148	60	82	04.00-05.06	■
208 CDI (901.611, 901.612, 901.621, 902.611, 902.612,... (OM 611.987)	Diesel	RWD	2148	60	82	04.00-05.06	■
211 CDI (901.621, 902.611, 902.612, 902.621, 902.622) (OM 611.981)	Diesel	RWD	2148	80	109	04.00-05.06	■
211 CDI (901.621, 902.611, 902.612, 902.621, 902.622) (OM 611.981)	Diesel	RWD	2148	80	109	04.00-05.06	■
213 CDI (901.621, 902.611, 902.612, 902.621, 902.622) (OM 611.981)	Diesel	RWD	2148	95	129	04.00-05.06	■
213 CDI (901.621, 902.611, 902.612, 902.621, 902.622) (OM 611.981)	Diesel	RWD	2148	95	129	04.00-05.06	■
208 D (901.311, 901.312, 901.321, 902.311, 902.312,... (OM 601.943)	Diesel	RWD	2299	58	79	01.95-04.00	■
208 D (901.311, 901.312, 901.321, 902.311, 902.312,... (OM 601.943)	Diesel	RWD	2299	58	79	01.95-04.00	■
208 D (901.311, 901.312, 901.321, 902.311, 902.312,... (OM 601.943)	Diesel	RWD	2299	60	82	09.96-04.00	■
208 D (901.311, 901.312, 901.321, 902.311, 902.312,... (OM 601.943)	Diesel	RWD	2299	60	82	09.96-04.00	■
216 CDI (902.611, 902.612, 902.621, 902.622) (OM 612.981)	Diesel	RWD	2685	115	156	04.00-05.06	■
216 CDI (902.611, 902.612, 902.621, 902.622) (OM 612.981)	Diesel	RWD	2685	115	156	04.00-05.06	■
210 D (901.421, 902.412) (OM 602.980)	Diesel	RWD	2874	75	102	01.97-04.00	■
210 D (901.421, 902.412) (OM 602.980)	Diesel	RWD	2874	75	102	01.97-04.00	■
212 D (901.421, 902.412) (OM 602.980)	Diesel	RWD	2874	90	122	02.95-04.00	■
212 D (901.421, 902.412) (OM 602.980)	Diesel	RWD	2874	90	122	02.95-04.00	■
SPRINTER 2-Ton. (B901, B902) 01.95-05.06						Van (LCVs-N1 Segment)	
214 (901.061, 901.062, 901.661, 901.662, 902.061,... (M 111.979)	Gasolina	RWD	2295	105	143	02.95-05.06	■
214 (901.061, 901.062, 901.661, 901.662, 902.061,... (M 111.979)	Gasolina	RWD	2295	105	143	02.95-05.06	■
214 (901.061, 901.062, 901.661, 901.662, 902.061,... (M 111.984)	Gasolina	RWD	2295	105	143	02.95-05.06	■
214 (901.061, 901.062, 901.661, 901.662, 902.061,... (M 111.984)	Gasolina	RWD	2295	105	143	02.95-05.06	■

LISTA DE APLICACIONES - BUYERS GUIDE

214 NGT (901.661, 902.061, 902.062, 902.661, 902.662) (M 111.979)	Gasol./Gas (CNG)	RWD	2295	95	129	02.95-05.06	■
214 NGT (901.661, 902.061, 902.062, 902.661, 902.662) (M 111.979)	Gasol./Gas (CNG)	RWD	2295	95	129	02.95-05.06	■
214 NGT (901.661, 902.061, 902.062, 902.661, 902.662) (M 111.984)	Gasol./Gas (CNG)	RWD	2295	95	129	02.95-05.06	■
214 NGT (901.661, 902.061, 902.062, 902.661, 902.662) (M 111.984)	Gasol./Gas (CNG)	RWD	2295	95	129	02.95-05.06	■
208 CDI (901.661, 901.662, 902.661, 902.662) (OM 611.987)	Diesel	RWD	2148	60	82	04.00-05.06	■
208 CDI (901.661, 901.662, 902.661, 902.662) (OM 611.987)	Diesel	RWD	2148	60	82	04.00-05.06	■
211 CDI (901.661, 901.662, 902.661, 902.662) (OM 611.981)	Diesel	RWD	2148	80	109	04.00-05.06	■
211 CDI (901.661, 901.662, 902.661, 902.662) (OM 611.981)	Diesel	RWD	2148	80	109	04.00-05.06	■
213 CDI (901.661, 901.662, 902.661, 902.662) (OM 611.981)	Diesel	RWD	2148	95	129	04.00-05.06	■
213 CDI (901.661, 901.662, 902.661, 902.662) (OM 611.981)	Diesel	RWD	2148	95	129	04.00-05.06	■
208 D (901.361, 901.362, 902.361, 902.362) (OM 601.943)	Diesel	RWD	2299	58	79	02.95-04.00	■
208 D (901.361, 901.362, 902.361, 902.362) (OM 601.943)	Diesel	RWD	2299	58	79	02.95-04.00	■
208 D (901.361, 901.362, 902.361, 902.362) (OM 601.943)	Diesel	RWD	2299	60	82	10.96-04.00	■
208 D (901.361, 901.362, 902.361, 902.362) (OM 601.943)	Diesel	RWD	2299	60	82	10.96-04.00	■
216 CDI (902.661, 902.662) (OM 612.981)	Diesel	RWD	2685	115	156	04.00-05.06	■
216 CDI (902.661, 902.662) (OM 612.981)	Diesel	RWD	2685	115	156	04.00-05.06	■
210 D (901.461, 901.462, 902.461, 902.462) (OM 602.980)	Diesel	RWD	2874	75	102	01.97-04.00	■
210 D (901.461, 901.462, 902.461, 902.462) (OM 602.980)	Diesel	RWD	2874	75	102	01.97-04.00	■
212 D (901.461, 901.462, 902.461, 902.462) (OM 602.980)	Diesel	RWD	2874	90	122	02.95-04.00	■
212 D (901.461, 901.462, 902.461, 902.462) (OM 602.980)	Diesel	RWD	2874	90	122	02.95-04.00	■
SPRINTER 3-Ton. (B903) 01.95-05.12				Bus (Minibus-M2-Segment)			
314 (903.071, 903.072, 903.073, 903.671, 903.672,...) (M 111.979)	Gasolina	RWD	2295	105	143	02.95-05.06	■
314 (903.071, 903.072, 903.073, 903.671, 903.672,...) (M 111.979)	Gasolina	RWD	2295	105	143	02.95-05.06	■
314 (903.071, 903.072, 903.073, 903.671, 903.672,...) (M 111.984)	Gasolina	RWD	2295	105	143	02.95-05.06	■
314 (903.071, 903.072, 903.073, 903.671, 903.672,...) (M 111.984)	Gasolina	RWD	2295	105	143	02.95-05.06	■
314 4x4 (903.672, 903.673) (M 111.984)	Gasolina	4WD	2295	105	143	02.95-05.06	■
314 4x4 (903.672, 903.673) (M 111.984)	Gasolina	4WD	2295	105	143	02.95-05.06	■
314 NGT (903.072, 903.671, 903.672) (M 111.979)	Gasol./Gas (CNG)	RWD	2295	95	129	02.95-05.06	■
314 NGT (903.072, 903.671, 903.672) (M 111.979)	Gasol./Gas (CNG)	RWD	2295	95	129	02.95-05.06	■
314 NGT (903.072, 903.671, 903.672) (M 111.984)	Gasol./Gas (CNG)	RWD	2295	95	129	02.95-05.06	■
314 NGT (903.072, 903.671, 903.672) (M 111.984)	Gasol./Gas (CNG)	RWD	2295	95	129	02.95-05.06	■
308 E (903.372)	Eléctrico	RWD		40	54	01.96-05.06	■
308 E (903.372)	Eléctrico	RWD		40	54	01.96-05.06	■
308 CDI (903.671, 903.672, 903.673) (OM 611.987)	Diesel	RWD	2148	60	82	04.00-05.06	■

LISTA DE APLICACIONES - BUYERS GUIDE

308 CDI (903.671, 903.672, 903.673) (OM 611.987)	Diesel	RWD	2148	60	82	04.00-05.06	■
311 CDI (903.671, 903.672) (OM 611.981)	Diesel	RWD	2148	80	109	04.00-05.06	■
311 CDI (903.671, 903.672) (OM 611.981)	Diesel	RWD	2148	80	109	04.00-05.06	■
311 CDI 4x4 (903.672, 903.673) (OM 611.981)	Diesel	4WD	2148	80	109	08.02-05.06	■
311 CDI 4x4 (903.672, 903.673) (OM 611.981)	Diesel	4WD	2148	80	109	08.02-05.06	■
313 CDI (903.671, 903.672, 903.673) (OM 611.981)	Diesel	RWD	2148	95	129	04.00-05.06	■
313 CDI (903.671, 903.672, 903.673) (OM 611.981)	Diesel	RWD	2148	95	129	04.00-05.06	■
313 CDI 4x4 (903.672, 903.673) (OM 611.981)	Diesel	4WD	2148	95	129	08.02-05.06	■
313 CDI 4x4 (903.672, 903.673) (OM 611.981)	Diesel	4WD	2148	95	129	08.02-05.06	■
2.3 D	Diesel	RWD	2299	58	79	06.97-12.99	■
2.3 D	Diesel	RWD	2299	58	79	06.97-12.99	■
308 D (903.372, 903.373) (OM 601.943)	Diesel	RWD	2299	58	79	02.95-04.00	■
308 D (903.372, 903.373) (OM 601.943)	Diesel	RWD	2299	58	79	02.95-04.00	■
316 CDI (903.671, 903.672, 903.673) (OM 612.981)	Diesel	RWD	2685	115	156	04.00-05.06	■
316 CDI (903.671, 903.672, 903.673) (OM 612.981)	Diesel	RWD	2685	115	156	04.00-05.06	■
316 CDI (903.671, 903.672, 903.673) (OM 647.981)	Diesel	RWD	2685	115	156	04.00-05.06	■
316 CDI (903.671, 903.672, 903.673) (OM 647.981)	Diesel	RWD	2685	115	156	04.00-05.06	■
316 CDI 4x4 (903.672, 903.673) (OM 612.981)	Diesel	4WD	2685	115	156	08.02-05.06	■
316 CDI 4x4 (903.672, 903.673) (OM 612.981)	Diesel	4WD	2685	115	156	08.02-05.06	■
316 CDI 4x4 (903.672, 903.673) (OM 647.981)	Diesel	4WD	2685	115	156	08.02-05.06	■
316 CDI 4x4 (903.672, 903.673) (OM 647.981)	Diesel	4WD	2685	115	156	08.02-05.06	■
310 D (903.471, 903.472, 903.473) (OM 602.980)	Diesel	RWD	2874	75	102	01.97-12.99	■
310 D (903.471, 903.472, 903.473) (OM 602.980)	Diesel	RWD	2874	75	102	01.97-12.99	■
310 D 4x4 (903.472, 903.473) (OM 602.980)	Diesel	4WD	2874	75	102	05.97-08.02	■
310 D 4x4 (903.472, 903.473) (OM 602.980)	Diesel	4WD	2874	75	102	05.97-08.02	■
312 D 2.9 (903.471, 903.472, 903.473) (OM 602.980)	Diesel	RWD	2874	90	122	02.95-04.00	■
312 D 2.9 (903.471, 903.472, 903.473) (OM 602.980)	Diesel	RWD	2874	90	122	02.95-04.00	■
312 D 2.9 4x4 (903.473) (OM 602.980)	Diesel	4WD	2874	90	122	05.97-08.02	■
312 D 2.9 4x4 (903.473) (OM 602.980)	Diesel	4WD	2874	90	122	05.97-08.02	■
SPRINTER 3-Ton. (B903) 01.95-05.12						Platform/Chassis (LCVs-N1 Segment)	
314 (903.011, 903.012, 903.013, 903.022, 903.612,... (M 111.979)	Gasolina	RWD	2295	105	143	02.95-05.06	■
314 (903.011, 903.012, 903.013, 903.022, 903.612,... (M 111.979)	Gasolina	RWD	2295	105	143	02.95-05.06	■
314 (903.011, 903.012, 903.013, 903.022, 903.612,... (M 111.984)	Gasolina	RWD	2295	105	143	02.95-05.06	■
314 (903.011, 903.012, 903.013, 903.022, 903.612,... (M 111.984)	Gasolina	RWD	2295	105	143	02.95-05.06	■
314 4x4 (903.612, 903.613, 903.622) (M 111.984)	Gasolina	4WD	2295	105	143	02.95-05.06	■
314 4x4 (903.612, 903.613, 903.622) (M 111.984)	Gasolina	4WD	2295	105	143	02.95-05.06	■
314 NGT (903.611, 903.612, 903.613, 903.622, 903.012,... (M 111.979)	Gasol./Gas (CNG)	RWD	2295	95	129	02.95-05.06	■
314 NGT (903.611, 903.612, 903.613, 903.622, 903.012,... (M 111.979)	Gasol./Gas (CNG)	RWD	2295	95	129	02.95-05.06	■
314 NGT (903.611, 903.612, 903.613, 903.622, 903.012,... (M 111.984)	Gasol./Gas (CNG)	RWD	2295	95	129	02.95-05.06	■

LISTA DE APLICACIONES - BUYERS GUIDE

314 NGT (903.611, 903.612, 903.613, 903.622, 903.012,... (M 111.984)	Gasol./Gas (CNG)	RWD	2295	95	129	02.95-05.06	■
308 CDI (903.611, 903.612, 903.613, 903.621, 903.622,... (OM 611.987)	Diesel	RWD	2148	60	82	04.00-05.06	■
308 CDI (903.611, 903.612, 903.613, 903.621, 903.622,... (OM 611.987)	Diesel	RWD	2148	60	82	04.00-05.06	■
311 CDI (903.611, 903.612, 903.613, 903.621, 903.622,... (OM 611.981)	Diesel	RWD	2148	80	109	04.00-05.06	■
311 CDI (903.611, 903.612, 903.613, 903.621, 903.622,... (OM 611.981)	Diesel	RWD	2148	80	109	04.00-05.06	■
311 CDI 4x4 (903.612, 903.613, 903.622, 903.623) (OM 611.981)	Diesel	4WD	2148	80	109	04.00-05.06	■
311 CDI 4x4 (903.612, 903.613, 903.622, 903.623) (OM 611.981)	Diesel	4WD	2148	80	109	04.00-05.06	■
313 CDI (903.611, 903.612, 903.621, 903.622, 903.623,... (OM 611.981)	Diesel	RWD	2148	95	129	04.00-05.06	■
313 CDI (903.611, 903.612, 903.621, 903.622, 903.623,... (OM 611.981)	Diesel	RWD	2148	95	129	04.00-05.06	■
313 CDI 4x4 (903.612, 903.613, 903.622, 903.623) (OM 611.981)	Diesel	4WD	2148	95	129	04.00-05.06	■
313 CDI 4x4 (903.612, 903.613, 903.622, 903.623) (OM 611.981)	Diesel	4WD	2148	95	129	04.00-05.06	■
308 D 2.3 (903.311, 903.322) (OM 601.943)	Diesel	RWD	2299	58	79	02.95-04.00	■
308 D 2.3 (903.311, 903.322) (OM 601.943)	Diesel	RWD	2299	58	79	02.95-04.00	■
308 D 2.3 (903.311, 903.322) (OM 601.943)	Diesel	RWD	2299	60	82	11.96-04.00	■
308 D 2.3 (903.311, 903.322) (OM 601.943)	Diesel	RWD	2299	60	82	11.96-04.00	■
316 CDI (903.611, 903.612, 903.613, 903.621, 903.622,... (OM 612.981)	Diesel	RWD	2685	115	156	04.00-05.06	■
316 CDI (903.611, 903.612, 903.613, 903.621, 903.622,... (OM 612.981)	Diesel	RWD	2685	115	156	04.00-05.06	■
316 CDI (903.611, 903.612, 903.613, 903.621, 903.622,... (OM 647.981)	Diesel	RWD	2685	115	156	04.00-05.06	■
316 CDI (903.611, 903.612, 903.613, 903.621, 903.622,... (OM 647.981)	Diesel	RWD	2685	115	156	04.00-05.06	■
316 CDI 4x4 (903.612, 903.613, 903.622, 903.623) (OM 612.981)	Diesel	4WD	2685	115	156	08.02-05.06	■
316 CDI 4x4 (903.612, 903.613, 903.622, 903.623) (OM 612.981)	Diesel	4WD	2685	115	156	08.02-05.06	■
316 CDI 4x4 (903.612, 903.613, 903.622, 903.623) (OM 647.981)	Diesel	4WD	2685	115	156	08.02-05.06	■
316 CDI 4x4 (903.612, 903.613, 903.622, 903.623) (OM 647.981)	Diesel	4WD	2685	115	156	08.02-05.06	■
310 D 2.9 (903.411, 903.412, 903.413, 903.421, 903.422,... (OM 602.980)	Diesel	RWD	2874	75	102	01.97-04.00	■
310 D 2.9 (903.411, 903.412, 903.413, 903.421, 903.422,... (OM 602.980)	Diesel	RWD	2874	75	102	01.97-04.00	■
312 D 2.9 (903.411, 903.412, 903.421, 903.422, 903.423) (OM 602.980)	Diesel	RWD	2874	90	122	02.95-04.00	■
312 D 2.9 (903.411, 903.412, 903.421, 903.422, 903.423) (OM 602.980)	Diesel	RWD	2874	90	122	02.95-04.00	■
SPRINTER 3-Ton. (B903) 01.95-05.12						Van (LCVs-N1 Segment)	
314 (903.061, 903.062, 903.063, 903.661, 903.662) (M 111.979)	Gasolina	RWD	2295	105	143	02.95-05.06	■
314 (903.061, 903.062, 903.063, 903.661, 903.662) (M 111.979)	Gasolina	RWD	2295	105	143	02.95-05.06	■
314 (903.061, 903.062, 903.063, 903.661, 903.662) (M 111.984)	Gasolina	RWD	2295	105	143	02.95-05.06	■
314 (903.061, 903.062, 903.063, 903.661, 903.662) (M 111.984)	Gasolina	RWD	2295	105	143	02.95-05.06	■
314 4x4 (903.661, 903.662, 903.663) (M 111.984)	Gasolina	4WD	2295	105	143	02.95-05.06	■
314 4x4 (903.661, 903.662, 903.663) (M 111.984)	Gasolina	4WD	2295	105	143	02.95-05.06	■
314 NGT (903.661, 903.061, 903.062, 903.063, 903.662) (M 111.979)	Gasol./Gas (CNG)	RWD	2295	95	129	02.95-05.06	■

LISTA DE APLICACIONES - BUYERS GUIDE

314 NGT (903.661, 903.061, 903.062, 903.063, 903.662) (M 111.979)	Gasol./Gas (CNG)	RWD	2295	95	129	02.95-05.06	■
314 NGT (903.661, 903.061, 903.062, 903.063, 903.662) (M 111.984)	Gasol./Gas (CNG)	RWD	2295	95	129	02.95-05.06	■
314 NGT (903.661, 903.061, 903.062, 903.063, 903.662) (M 111.984)	Gasol./Gas (CNG)	RWD	2295	95	129	02.95-05.06	■
308 CDI (903.661, 903.662, 903.663) (OM 611.987)	Diesel	RWD	2148	60	82	04.00-05.06	■
308 CDI (903.661, 903.662, 903.663) (OM 611.987)	Diesel	RWD	2148	60	82	04.00-05.06	■
311 CDI (903.661, 903.662, 903.663) (OM 611.981)	Diesel	RWD	2148	80	109	04.00-05.06	■
311 CDI (903.661, 903.662, 903.663) (OM 611.981)	Diesel	RWD	2148	80	109	04.00-05.06	■
311 CDI 4x4 (903.662, 903.663) (OM 611.981)	Diesel	4WD	2148	80	109	08.02-05.06	■
311 CDI 4x4 (903.662, 903.663) (OM 611.981)	Diesel	4WD	2148	80	109	08.02-05.06	■
313 CDI (903.663, 903.662, 903.661) (OM 611.981)	Diesel	RWD	2148	95	129	04.00-05.06	■
313 CDI (903.663, 903.662, 903.661) (OM 611.981)	Diesel	RWD	2148	95	129	04.00-05.06	■
313 CDI 4x4 (903.662, 903.663) (OM 611.981)	Diesel	4WD	2148	95	129	08.02-05.06	■
313 CDI 4x4 (903.662, 903.663) (OM 611.981)	Diesel	4WD	2148	95	129	08.02-05.06	■
2.3 D	Diesel	RWD	2299	58	79	06.97-12.99	■
2.3 D	Diesel	RWD	2299	58	79	06.97-12.99	■
308 D 2.3 (903.361, 903.362, 903.363) (OM 601.943)	Diesel	RWD	2299	58	79	02.95-04.00	■
308 D 2.3 (903.361, 903.362, 903.363) (OM 601.943)	Diesel	RWD	2299	58	79	02.95-04.00	■
308 D 2.3 (903.361) (OM 601.943)	Diesel	RWD	2299	60	82	02.95-04.00	■
308 D 2.3 (903.361) (OM 601.943)	Diesel	RWD	2299	60	82	02.95-04.00	■
316 CDI (903.661, 903.662, 903.663) (OM 612.981)	Diesel	RWD	2685	115	156	04.00-05.06	■
316 CDI (903.661, 903.662, 903.663) (OM 612.981)	Diesel	RWD	2685	115	156	04.00-05.06	■
316 CDI (903.661, 903.662, 903.663) (OM 647.981)	Diesel	RWD	2685	115	156	04.00-05.06	■
316 CDI (903.661, 903.662, 903.663) (OM 647.981)	Diesel	RWD	2685	115	156	04.00-05.06	■
316 CDI 4x4 (903.662, 903.663) (OM 612.981)	Diesel	4WD	2685	115	156	02.01-05.06	■
316 CDI 4x4 (903.662, 903.663) (OM 612.981)	Diesel	4WD	2685	115	156	02.01-05.06	■
316 CDI 4x4 (903.662, 903.663) (OM 647.981)	Diesel	4WD	2685	115	156	02.01-05.06	■
316 CDI 4x4 (903.662, 903.663) (OM 647.981)	Diesel	4WD	2685	115	156	02.01-05.06	■
310 D 2.9 (903.461, 903.462, 903.463) (OM 602.980)	Diesel	RWD	2874	75	102	02.95-04.00	■
310 D 2.9 (903.461, 903.462, 903.463) (OM 602.980)	Diesel	RWD	2874	75	102	02.95-04.00	■
312 D 2.9 (903.461, 903.462, 903.463) (OM 602.980)	Diesel	RWD	2874	90	122	02.95-04.00	■
312 D 2.9 (903.461, 903.462, 903.463) (OM 602.980)	Diesel	RWD	2874	90	122	02.95-04.00	■
312 D 2.9 4x4 (903.461, 903.462) (OM 602.980)	Diesel	4WD	2874	90	122	05.97-08.02	■
312 D 2.9 4x4 (903.461, 903.462) (OM 602.980)	Diesel	4WD	2874	90	122	05.97-08.02	■
SPRINTER 4-Ton. (B904) 02.95-05.12						Platform/Chassis (LCVs-N1 Segment)	
414 4x4 (904.012, 904.013, 904.612, 904.613) (M 111.979)	Gasolina	4WD	2295	105	143	05.97-05.06	■
414 4x4 (904.012, 904.013, 904.612, 904.613) (M 111.979)	Gasolina	4WD	2295	105	143	05.97-05.06	■
414 4x4 (904.012, 904.013, 904.612, 904.613) (M 111.984)	Gasolina	4WD	2295	105	143	05.97-05.06	■
414 4x4 (904.012, 904.013, 904.612, 904.613) (M 111.984)	Gasolina	4WD	2295	105	143	05.97-05.06	■

LISTA DE APLICACIONES - BUYERS GUIDE

411 CDI 4x4 (904.612, 904.623, 904.622, 904.613) (OM 611.981)	Diesel	4WD	2148	80	109	04.00-05.06	■
411 CDI 4x4 (904.612, 904.623, 904.622, 904.613) (OM 611.981)	Diesel	4WD	2148	80	109	04.00-05.06	■
413 CDI 4x4 (904.623, 904.613) (OM 611.981)	Diesel	4WD	2148	95	129	04.00-05.06	■
413 CDI 4x4 (904.623, 904.613) (OM 611.981)	Diesel	4WD	2148	95	129	04.00-05.06	■
416 CDI 4x4 (OM 612.981)	Diesel	4WD	2685	115	156	04.00-05.06	■
416 CDI 4x4 (OM 612.981)	Diesel	4WD	2685	115	156	04.00-05.06	■
416 CDI 4x4 (OM 647.981)	Diesel	4WD	2685	115	156	04.00-05.06	■
416 CDI 4x4 (OM 647.981)	Diesel	4WD	2685	115	156	04.00-05.06	■
SPRINTER 4-Ton. (B904) 02.95-05.12				Van (LCVs-N1 Segment)			
414 4x4 (904.062, 904.063, 904.662, 904.663) (M 111.979)	Gasolina	4WD	2295	105	143	05.97-05.06	■
414 4x4 (904.062, 904.063, 904.662, 904.663) (M 111.979)	Gasolina	4WD	2295	105	143	05.97-05.06	■
414 4x4 (904.062, 904.063, 904.662, 904.663) (M 111.984)	Gasolina	4WD	2295	105	143	05.97-05.06	■
414 4x4 (904.062, 904.063, 904.662, 904.663) (M 111.984)	Gasolina	4WD	2295	105	143	05.97-05.06	■
411 CDI 4x4 (904.663, 904.662) (OM 611.981)	Diesel	4WD	2148	80	109	04.00-05.06	■
411 CDI 4x4 (904.663, 904.662) (OM 611.981)	Diesel	4WD	2148	80	109	04.00-05.06	■
413 CDI 4x4 (904.663) (OM 611.981)	Diesel	4WD	2148	95	129	04.00-05.06	■
413 CDI 4x4 (904.663) (OM 611.981)	Diesel	4WD	2148	95	129	04.00-05.06	■
416 CDI 4x4 (OM 612.981)	Diesel	4WD	2685	115	156	04.00-05.06	■
416 CDI 4x4 (OM 612.981)	Diesel	4WD	2685	115	156	04.00-05.06	■
416 CDI 4x4 (OM 647.981)	Diesel	4WD	2685	115	156	04.00-05.06	■
416 CDI 4x4 (OM 647.981)	Diesel	4WD	2685	115	156	04.00-05.06	■