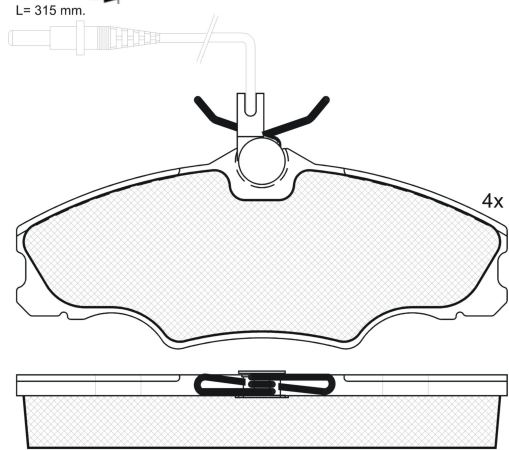
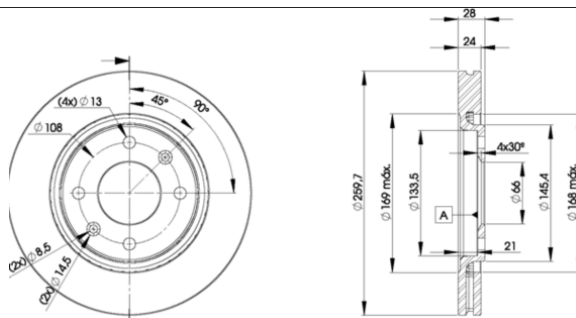


LISTA DE APLICACIONES - BUYERS GUIDE

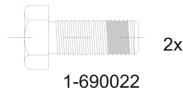
31107-9406



Weight: 13.306



181107-700



31107-9406



Lucas - Girling

129.85x53.01x19.3

Ø260x24x28.2

WVA

21724

MAKE

PEUGEOT



Trac.	CC	Kw	CV
-------	----	----	----



Front / Rear

PEUGEOT

406 (8E/F) 10.96-10.04

Estate (Large family car-D Segment)

Engine	Year	Fuel	Trac.	CC	Kw	CV	Period	Application
1.8 16V (6FZ (EW7J4))	-12/03	Gasolina	FWD	1749	85	116	10.00-10.04	■
1.8 16V (6FZ (EW7J4))	-12/03	Gasolina	FWD	1749	85	116	10.00-10.04	■
1.8 (LFX (XU7JB))	-12/03	Gasolina	FWD	1761	66	90	05.97-10.04	■
1.8 (LFX (XU7JB))	-12/03	Gasolina	FWD	1761	66	90	05.97-10.04	■
1.8 (L6A (XU7JP))		Gasolina	FWD	1761	74	101	10.96-03.99	■
1.8 (L6A (XU7JP))		Gasolina	FWD	1761	74	101	10.96-03.99	■
1.8 (LFZ (XU7JP))		Gasolina	FWD	1761	74	101	10.96-03.99	■
1.8 (LFZ (XU7JP))		Gasolina	FWD	1761	74	101	10.96-03.99	■
1.8 16V (LFY (XU7JP4))		Gasolina	FWD	1761	81	110	10.96-10.00	■
1.8 16V (LFY (XU7JP4))		Gasolina	FWD	1761	81	110	10.96-10.00	■
1.9 D (DHW (XUD9SD))	-12/99	Diesel	FWD	1905	55	75	10.96-10.04	■
1.9 D (DHW (XUD9SD))	-12/99	Diesel	FWD	1905	55	75	10.96-10.04	■

406 (8B) 08.95-01.05

Saloon (Large family car-D Segment)

1.6 (BFZ (XU5JP))	-12/99	Gasolina	FWD	1580	65	88	11.95-05.04	■
1.6 (BFZ (XU5JP))	-12/99	Gasolina	FWD	1580	65	88	11.95-05.04	■
1.8 16V (6FZ (EW7J4))	-12/00	Gasolina	FWD	1749	85	116	10.00-05.04	■
1.8 16V (6FZ (EW7J4))	-12/00	Gasolina	FWD	1749	85	116	10.00-05.04	■
1.8 (LFX (XU7JB))	-12/03	Gasolina	FWD	1761	66	90	05.97-05.04	■
1.8 (LFX (XU7JB))	-12/03	Gasolina	FWD	1761	66	90	05.97-05.04	■
1.8 (L6A (XU7JP))		Gasolina	FWD	1761	74	101	10.96-03.99	■
1.8 (L6A (XU7JP))		Gasolina	FWD	1761	74	101	10.96-03.99	■
1.8 (LFZ (XU7JP))		Gasolina	FWD	1761	74	101	10.96-03.99	■

LISTA DE APLICACIONES - BUYERS GUIDE

1.8 (LFZ (XU7JP))		Gasolina	FWD	1761	74	101	10.96-03.99	■
1.8 16V (LFY (XU7JP4))		Gasolina	FWD	1761	81	110	11.95-10.00	■
1.8 16V (LFY (XU7JP4))		Gasolina	FWD	1761	81	110	11.95-10.00	■
1.9 SL		Diesel	RWD	1905	51	69	09.97-03.99	■
1.9 SL		Diesel	RWD	1905	51	69	09.97-03.99	■
1.9 D (DHW (XUD9SD))	-12/99	Diesel	FWD	1905	55	75	10.96-05.04	■
1.9 D (DHW (XUD9SD))	-12/99	Diesel	FWD	1905	55	75	10.96-05.04	■