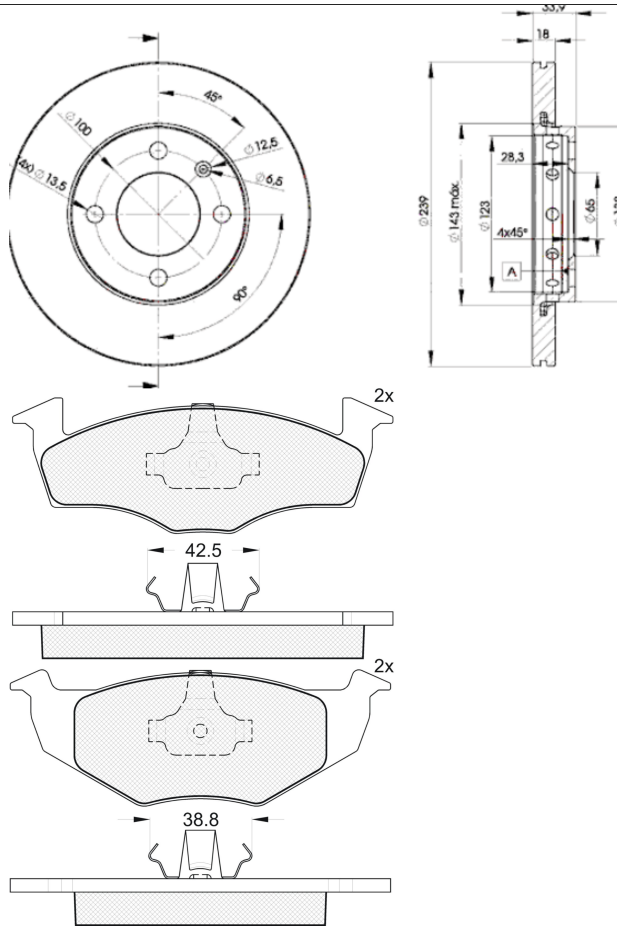


# LISTA DE APLICACIONES - BUYERS GUIDE

## 31130-5303



Weight: 9.236



## 31130-5303



Volkswagen

141.65x50.5x17.3  
Ø239x18x34.1

**WVA**  
21866

**MAKE**  
SEAT  
VW



Trac.	CC	Kw	CV
-------	----	----	----



Front / Rear

### SEAT

#### AROSA (6H1) 05.97-06.04

#### Hatchback (City car-A Segment)

Model	Gasolina	FWD	CC	Kw	CV	Year	Position
1.0 (AER)	Gasolina	FWD	999	37	50	05.97-06.04	■
1.0 (AER)	Gasolina	FWD	999	37	50	05.97-06.04	■
1.0 (ALD)	Gasolina	FWD	999	37	50	05.97-06.04	■
1.0 (ALD)	Gasolina	FWD	999	37	50	05.97-06.04	■
1.0 (ALL)	Gasolina	FWD	999	37	50	05.97-06.04	■
1.0 (ALL)	Gasolina	FWD	999	37	50	05.97-06.04	■
1.0 (ANV)	Gasolina	FWD	999	37	50	05.97-06.04	■
1.0 (ANV)	Gasolina	FWD	999	37	50	05.97-06.04	■
1.0 (AUC)	Gasolina	FWD	999	37	50	05.97-06.04	■
1.0 (AUC)	Gasolina	FWD	999	37	50	05.97-06.04	■
1.4 (AEX)	Gasolina	FWD	1389	44	60	05.97-06.04	■
1.4 (AEX)	Gasolina	FWD	1389	44	60	05.97-06.04	■
1.4 (AKK)	Gasolina	FWD	1389	44	60	05.97-06.04	■
1.4 (AKK)	Gasolina	FWD	1389	44	60	05.97-06.04	■
1.4 (AKV)	Gasolina	FWD	1389	44	60	05.97-06.04	■
1.4 (AKV)	Gasolina	FWD	1389	44	60	05.97-06.04	■
1.4 (ANW)	Gasolina	FWD	1389	44	60	05.97-06.04	■
1.4 (ANW)	Gasolina	FWD	1389	44	60	05.97-06.04	■
1.4 (APQ)	Gasolina	FWD	1389	44	60	05.97-06.04	■
1.4 (APQ)	Gasolina	FWD	1389	44	60	05.97-06.04	■
1.4 (AUD)	Gasolina	FWD	1389	44	60	05.97-06.04	■
1.4 (AUD)	Gasolina	FWD	1389	44	60	05.97-06.04	■
1.4 16V (AFK)	Gasolina	FWD	1390	74	100	01.00-06.04	■

# LISTA DE APLICACIONES - BUYERS GUIDE

1.4 16V (AFK)		Gasolina	FWD	1390	74	100	01.00-06.04	■
1.4 16V (AQQ)		Gasolina	FWD	1390	74	100	01.00-06.04	■
1.4 16V (AQQ)		Gasolina	FWD	1390	74	100	01.00-06.04	■
1.4 16V (AUB)		Gasolina	FWD	1390	74	100	01.00-06.04	■
1.4 16V (AUB)		Gasolina	FWD	1390	74	100	01.00-06.04	■
1.4 TDI (AMF)		Diesel	FWD	1422	55	75	01.00-06.04	■
1.4 TDI (AMF)		Diesel	FWD	1422	55	75	01.00-06.04	■
1.7 SDI (AKU)		Diesel	FWD	1716	44	60	08.97-06.04	■
1.7 SDI (AKU)		Diesel	FWD	1716	44	60	08.97-06.04	■
<b>VW</b>								
<b>LUPO (6X1, 6E1) 09.98-07.05</b>					<b>Hatchback (City car-A Segment)</b>			
1.0 (AER)		Gasolina	FWD	999	37	50	09.98-07.05	■
1.0 (AER)		Gasolina	FWD	999	37	50	09.98-07.05	■
1.0 (ALD)		Gasolina	FWD	999	37	50	09.98-07.05	■
1.0 (ALD)		Gasolina	FWD	999	37	50	09.98-07.05	■
1.0 (ALL)		Gasolina	FWD	999	37	50	09.98-07.05	■
1.0 (ALL)		Gasolina	FWD	999	37	50	09.98-07.05	■
1.0 (ANV)		Gasolina	FWD	999	37	50	09.98-07.05	■
1.0 (ANV)		Gasolina	FWD	999	37	50	09.98-07.05	■
1.0 (AUC)		Gasolina	FWD	999	37	50	09.98-07.05	■
1.0 (AUC)		Gasolina	FWD	999	37	50	09.98-07.05	■
1.4 (AUD)		Gasolina	FWD	1390	44	60	10.00-07.05	■
1.4 (AUD)		Gasolina	FWD	1390	44	60	10.00-07.05	■
1.4 16V (AHW)		Gasolina	FWD	1390	55	75	09.98-07.05	■
1.4 16V (AHW)		Gasolina	FWD	1390	55	75	09.98-07.05	■
1.4 16V (AKQ)		Gasolina	FWD	1390	55	75	09.98-07.05	■
1.4 16V (AKQ)		Gasolina	FWD	1390	55	75	09.98-07.05	■
1.4 16V (APE)		Gasolina	FWD	1390	55	75	09.98-07.05	■
1.4 16V (APE)		Gasolina	FWD	1390	55	75	09.98-07.05	■
1.4 16V (AUA)		Gasolina	FWD	1390	55	75	09.98-07.05	■
1.4 16V (AUA)		Gasolina	FWD	1390	55	75	09.98-07.05	■
1.4 16V (BBY)		Gasolina	FWD	1390	55	75	09.98-07.05	■
1.4 16V (BBY)		Gasolina	FWD	1390	55	75	09.98-07.05	■
1.7 SDI (AKU)		Diesel	FWD	1716	44	60	09.98-07.05	■
1.7 SDI (AKU)		Diesel	FWD	1716	44	60	09.98-07.05	■
<b>POLO III (6N1) 10.94-10.99</b>					<b>Hatchback (Supermini car-B Segment)</b>			
1.0 (ALD)		Gasolina	FWD	999	37	50	10.99-09.01	■
1.0 (ALD)		Gasolina	FWD	999	37	50	10.99-09.01	■
1.0 (AUC)		Gasolina	FWD	999	37	50	10.99-09.01	■
1.0 (AUC)		Gasolina	FWD	999	37	50	10.99-09.01	■
50 1.0 (AER)		Gasolina	FWD	999	37	50	09.96-10.99	■
50 1.0 (AER)		Gasolina	FWD	999	37	50	09.96-10.99	■
50 1.0 (ALL)		Gasolina	FWD	999	37	50	09.96-10.99	■
50 1.0 (ALL)		Gasolina	FWD	999	37	50	09.96-10.99	■
45 1.0 (AEV)	01/96-	Gasolina	FWD	1043	33	45	10.94-09.96	■
45 1.0 (AEV)	01/96-	Gasolina	FWD	1043	33	45	10.94-09.96	■
55 1.3 (ADX)		Gasolina	FWD	1296	40	55	10.94-04.97	■
55 1.3 (ADX)		Gasolina	FWD	1296	40	55	10.94-04.97	■
1.4 (AKP)	-12/00	Gasolina	FWD	1390	40	54	10.99-09.01	■
1.4 (AKP)	-12/00	Gasolina	FWD	1390	40	54	10.99-09.01	■

# LISTA DE APLICACIONES - BUYERS GUIDE

1.4 (ANX)	-12/00	Gasolina	FWD	1390	40	54	10.99-09.01	■
1.4 (ANX)	-12/00	Gasolina	FWD	1390	40	54	10.99-09.01	■
55 1.4 (AEX)	01/96-	Gasolina	FWD	1390	40	55	08.95-10.99	■
55 1.4 (AEX)	01/96-	Gasolina	FWD	1390	40	55	08.95-10.99	■
1.4 (AKK)	-12/00	Gasolina	FWD	1390	44	60	10.99-09.01	■
1.4 (AKK)	-12/00	Gasolina	FWD	1390	44	60	10.99-09.01	■
1.4 (AUD)	-12/00	Gasolina	FWD	1390	44	60	10.99-09.01	■
1.4 (AUD)	-12/00	Gasolina	FWD	1390	44	60	10.99-09.01	■
60 1.4 (AEX)	01/96-	Gasolina	FWD	1390	44	60	07.95-10.99	■
60 1.4 (AEX)	01/96-	Gasolina	FWD	1390	44	60	07.95-10.99	■
60 1.4 (AKV)	01/96-	Gasolina	FWD	1390	44	60	07.95-10.99	■
60 1.4 (AKV)	01/96-	Gasolina	FWD	1390	44	60	07.95-10.99	■
60 1.4 (APQ)	01/96-	Gasolina	FWD	1390	44	60	07.95-10.99	■
60 1.4 (APQ)	01/96-	Gasolina	FWD	1390	44	60	07.95-10.99	■
75 1.6 (AEA)	01/96-	Gasolina	FWD	1598	55	75	10.94-10.99	■
75 1.6 (AEA)	01/96-	Gasolina	FWD	1598	55	75	10.94-10.99	■
75 1.6 (AEE)	01/96-	Gasolina	FWD	1598	55	75	10.94-10.99	■
75 1.6 (AEE)	01/96-	Gasolina	FWD	1598	55	75	10.94-10.99	■
75 1.6 (AHS)	01/96-	Gasolina	FWD	1598	55	75	10.94-10.99	■
75 1.6 (AHS)	01/96-	Gasolina	FWD	1598	55	75	10.94-10.99	■
75 1.6 4motion (AEA)	01/96-	Gasolina	4WD	1598	55	75	08.95-10.99	■
75 1.6 4motion (AEA)	01/96-	Gasolina	4WD	1598	55	75	08.95-10.99	■
1.7 SDI (AHG)		Diesel	FWD	1716	42	57	04.97-10.99	■
1.7 SDI (AHG)		Diesel	FWD	1716	42	57	04.97-10.99	■
1.7 SDI (AKU)	-12/00	Diesel	FWD	1716	44	60	10.99-09.01	■
1.7 SDI (AKU)	-12/00	Diesel	FWD	1716	44	60	10.99-09.01	■
60 1.7 SDI (AKU)		Diesel	FWD	1716	44	60	08.97-10.99	■
60 1.7 SDI (AKU)		Diesel	FWD	1716	44	60	08.97-10.99	■
1.9 D (AEF)		Diesel	FWD	1896	47	64	10.99-09.01	■
1.9 D (AEF)		Diesel	FWD	1896	47	64	10.99-09.01	■
64 1.9 D (AEF)	01/96-	Diesel	FWD	1896	47	64	10.94-10.99	■
64 1.9 D (AEF)	01/96-	Diesel	FWD	1896	47	64	10.94-10.99	■
64 1.9 SDI (AGD)		Diesel	FWD	1896	47	64	07.96-10.99	■
64 1.9 SDI (AGD)		Diesel	FWD	1896	47	64	07.96-10.99	■
<b>POLO III VAN (6V5) 12.95-09.01</b>							<b>Estate Van (Supermini car-B Segment)</b>	
1.4 (AEX)		Gasolina	FWD	1390	44	60	08.97-12.99	■
1.4 (AEX)		Gasolina	FWD	1390	44	60	08.97-12.99	■
1.4 (AUA)		Gasolina	FWD	1390	55	75	06.00-09.01	■
1.4 (AUA)		Gasolina	FWD	1390	55	75	06.00-09.01	■
1.6 (AEE)		Gasolina	FWD	1598	55	75	09.97-12.98	■
1.6 (AEE)		Gasolina	FWD	1598	55	75	09.97-12.98	■
1.7 SDI (AKU)		Diesel	FWD	1716	44	60	08.97-12.99	■
1.7 SDI (AKU)		Diesel	FWD	1716	44	60	08.97-12.99	■
1.9 SDI (AEY)		Diesel	FWD	1896	47	64	12.95-08.99	■
1.9 SDI (AEY)		Diesel	FWD	1896	47	64	12.95-08.99	■
1.9 SDI (AGP)		Diesel	FWD	1896	50	68	10.99-09.01	■
1.9 SDI (AGP)		Diesel	FWD	1896	50	68	10.99-09.01	■
1.9 SDI (AQM)		Diesel	FWD	1896	50	68	10.99-09.01	■
1.9 SDI (AQM)		Diesel	FWD	1896	50	68	10.99-09.01	■

# LISTA DE APLICACIONES - BUYERS GUIDE

<b>POLO III VAN (6N1) 09.94-12.99</b>					<b>Hatchback Van (LCVs-N1 Segment)</b>			
1.0 (AEV)	01/96-	Gasolina	FWD	1043	33	45	10.94-12.99	■
1.0 (AEV)	01/96-	Gasolina	FWD	1043	33	45	10.94-12.99	■
1.4		Gasolina	FWD	1390	44	60	05.98-12.99	■
1.4		Gasolina	FWD	1390	44	60	05.98-12.99	■
1.7 SDI		Diesel	FWD	1716	44	60	08.97-12.99	■
1.7 SDI		Diesel	FWD	1716	44	60	08.97-12.99	■
1.9 D	01/96-	Diesel	FWD	1896	47	64	10.94-12.99	■
1.9 D	01/96-	Diesel	FWD	1896	47	64	10.94-12.99	■
<b>POLO III CLASSIC / DERBY / FLIGHT (6V2) 01.95-11.09</b>					<b>Saloon (Supermini car-B Segment)</b>			
1.0 TotalFlex		Gasolina	FWD	999	37	50	08.96-12.01	■
1.0 TotalFlex		Gasolina	FWD	999	37	50	08.96-12.01	■
1.6 TotalFlex		Gasolina	FWD	1595	64	87	08.98-09.01	■
1.6 TotalFlex		Gasolina	FWD	1595	64	87	08.98-09.01	■
1.8		Gasolina	FWD	1781	75	102	08.98-08.01	■
1.8		Gasolina	FWD	1781	75	102	08.98-08.01	■
1.8 TotalFlex		Gasolina	FWD	1781	82	111	08.98-07.02	■
1.8 TotalFlex		Gasolina	FWD	1781	82	111	08.98-07.02	■
2.0 Total Flex		Gasolina	FWD	1984	74	101	06.99-07.05	■
2.0 Total Flex		Gasolina	FWD	1984	74	101	06.99-07.05	■
1.8 TotalFlex		Gasol./el éc.	FWD	1781	74	101	05.96-09.01	■
1.8 TotalFlex		Gasol./el éc.	FWD	1781	74	101	05.96-09.01	■
1.8 Hybrid		Gasol./el éc.	FWD	1781	85	116	04.97-09.98	■
1.8 Hybrid		Gasol./el éc.	FWD	1781	85	116	04.97-09.98	■
1.9 TDI (AHU)		Diesel	FWD	1896	67	91	01.97-08.99	■
1.9 TDI (AHU)		Diesel	FWD	1896	67	91	01.97-08.99	■
<b>POLO III PLAYA / IBIZA 01.95-11.09</b>					<b>Hatchback (Supermini car-B Segment)</b>			
1.0 (ALD)		Gasolina	FWD	999	37	50	05.99-05.02	■
1.0 (ALD)		Gasolina	FWD	999	37	50	05.99-05.02	■
1.6		Gasolina	FWD	1595	74	101	01.98-08.00	■
1.6		Gasolina	FWD	1595	74	101	01.98-08.00	■
1.6		Gasolina	FWD	1595	76	103	10.99-10.04	■
1.6		Gasolina	FWD	1595	76	103	10.99-10.04	■
1.6	01/96-	Gasolina	FWD	1598	74	101	01.95-11.09	■
1.6	01/96-	Gasolina	FWD	1598	74	101	01.95-11.09	■
1.8	01/96-	Gasolina	FWD	1781	66	90	07.94-10.99	■
1.8	01/96-	Gasolina	FWD	1781	66	90	07.94-10.99	■
1.8		Gasolina	FWD	1781	82	112	01.99-12.03	■
1.8		Gasolina	FWD	1781	82	112	01.99-12.03	■