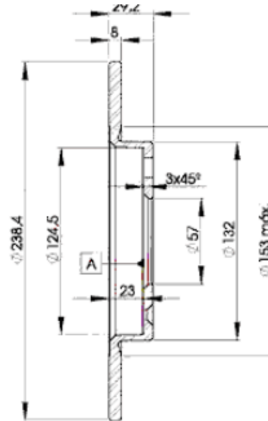
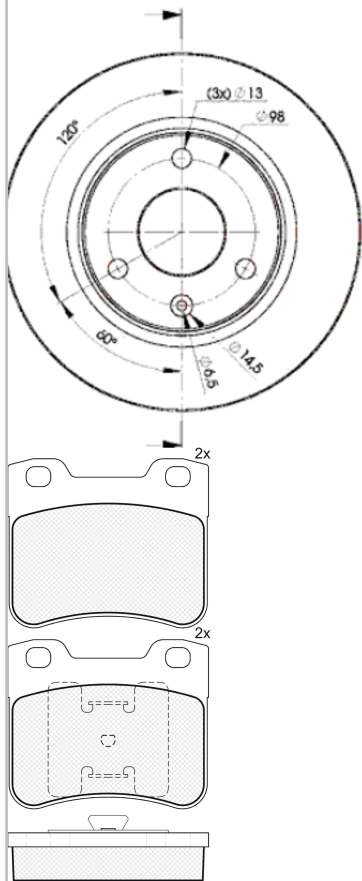


# LISTA DE APLICACIONES - BUYERS GUIDE

## 31150-7199



Weight: 6.401



## 31150-7199



Ate - Teves

72.1x60.6x17

Ø238x8x29

**WVA**

21857

**MAKE**

CITROËN

PEUGEOT



Trac.	CC	Kw	CV
-------	----	----	----



Front / Rear

### CITROËN

<b>SAXO / CHANSON (S0, S1) 02.96-04.04</b>							<b>Hatchback (Supermini car-B Segment)</b>	
1.0 X (CDY (TU9M))		Gasolina	FWD	954	33	45	05.96-11.98	■
1.0 X (CDY (TU9M))		Gasolina	FWD	954	33	45	05.96-11.98	■
1.0 X (CDZ (TU9M))		Gasolina	FWD	954	37	50	05.98-06.03	■
1.0 X (CDZ (TU9M))		Gasolina	FWD	954	37	50	05.98-06.03	■

### PEUGEOT

<b>106 (1S_) 08.91-03.96</b>							<b>Hatchback Van (Supermini car-B Segment)</b>	
1.0 (CDY (TU9M))		Gasolina	FWD	954	33	45	08.91-03.96	■
1.0 (CDY (TU9M))		Gasolina	FWD	954	33	45	08.91-03.96	■
1.0 (TU9)		Gasolina	FWD	954	33	45	08.91-03.96	■
1.0 (TU9)		Gasolina	FWD	954	33	45	08.91-03.96	■
1.4 D (K9Y (TUD3Y))		Diesel	FWD	1360	37	50	08.91-03.96	■
1.4 D (K9Y (TUD3Y))		Diesel	FWD	1360	37	50	08.91-03.96	■

<b>106 (1A, 1C) 08.91-04.96</b>							<b>Hatchback (Supermini car-B Segment)</b>	
1.0 (CDY (TU9M))		Gasolina	FWD	954	33	45	09.91-04.96	■
1.0 (CDY (TU9M))		Gasolina	FWD	954	33	45	09.91-04.96	■
1.0 (TU9)		Gasolina	FWD	954	33	45	09.91-04.96	■
1.0 (TU9)		Gasolina	FWD	954	33	45	09.91-04.96	■
1.0 (CDZ (TU9M))		Gasolina	FWD	954	37	50	09.91-04.96	■
1.0 (CDZ (TU9M))		Gasolina	FWD	954	37	50	09.91-04.96	■
1.1 (HDZ (TU1M))		Gasolina	FWD	1124	44	60	09.91-04.96	■
1.1 (HDZ (TU1M))		Gasolina	FWD	1124	44	60	09.91-04.96	■

# LISTA DE APLICACIONES - BUYERS GUIDE

<b>106 II (1S_) 04.96-03.01</b>					<b>Hatchback Van (LCVs-N1 Segment)</b>			
1.0 (CDY (TU9M))		Gasolina	FWD	954	33	45	04.96-03.01	■
1.0 (CDY (TU9M))		Gasolina	FWD	954	33	45	04.96-03.01	■
1.0 (TU9)		Gasolina	FWD	954	33	45	04.96-03.01	■
1.0 (TU9)		Gasolina	FWD	954	33	45	04.96-03.01	■
<b>106 II (1A_, 1C_) 04.96-05.05</b>					<b>Hatchback (Supermini car-B Segment)</b>			
1.0 i (CDY (TU9M))		Gasolina	FWD	954	33	45	05.96-10.99	■
1.0 i (CDY (TU9M))		Gasolina	FWD	954	33	45	05.96-10.99	■
1.0 i (CDZ (TU9M))		Gasolina	FWD	954	37	50	04.96-03.01	■
1.0 i (CDZ (TU9M))		Gasolina	FWD	954	37	50	04.96-03.01	■