

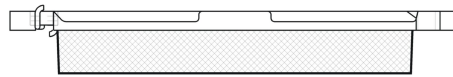
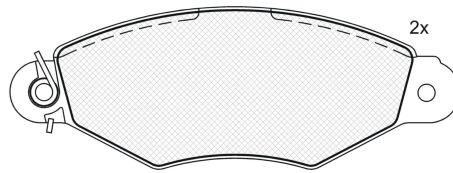
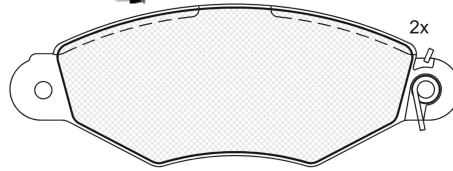
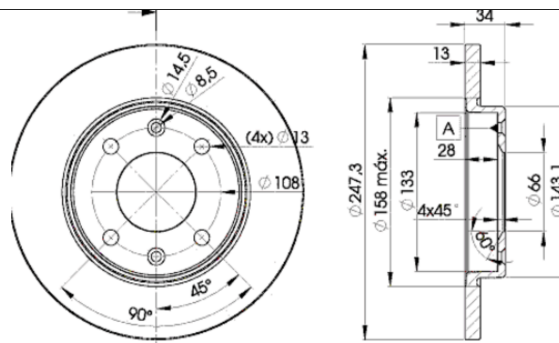
LISTA DE APLICACIONES - BUYERS GUIDE

31204-4298

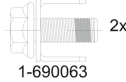


8 424073 103802

Weight: 9.605



181204-702



31204-4298



Bendix

130.75x47.23x18
Ø247x13x34.2

WVA
21980

MAKE
CITROËN



Trac.	CC	Kw	CV
-------	----	----	----



Front / Rear

CITROËN

XSARA (N0) 01.98-04.05

Coupe (Compact car-C Segment)

Engine	Year	Fuel	Drive	CC	Kw	CV	Period	Availability
1.4 i (KFW (TU3JP))	-12/00	Gasolina	FWD	1360	55	75	03.98-03.05	■
1.4 i (KFW (TU3JP))	-12/00	Gasolina	FWD	1360	55	75	03.98-03.05	■
1.4 i (KFX (TU3JP))	-12/00	Gasolina	FWD	1360	55	75	03.98-03.05	■
1.4 i (KFX (TU3JP))	-12/00	Gasolina	FWD	1360	55	75	03.98-03.05	■

XSARA (N1) 04.97-12.05

Hatchback (Compact car-C Segment)

Engine	Year	Fuel	Drive	CC	Kw	CV	Period	Availability
1.4 i (KFW (TU3JP))	-12/00	Gasolina	FWD	1360	55	75	04.97-03.05	■
1.4 i (KFW (TU3JP))	-12/00	Gasolina	FWD	1360	55	75	04.97-03.05	■
1.4 i (KFX (TU3JP))	-12/00	Gasolina	FWD	1360	55	75	04.97-03.05	■
1.4 i (KFX (TU3JP))	-12/00	Gasolina	FWD	1360	55	75	04.97-03.05	■