

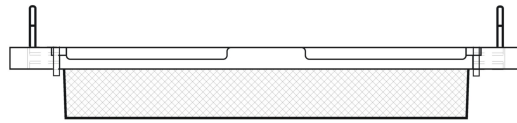
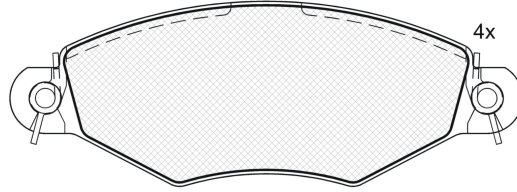
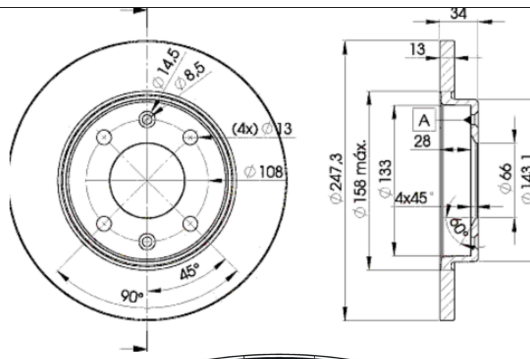
# LISTA DE APLICACIONES - BUYERS GUIDE

## 31255-4298

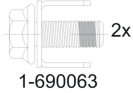


8 424073 103871

Weight: 9.595



### 181255-702



1-690063

## 31255-4298



Bendix

130.7x47.25x18  
Ø247x13x34.2

**WVA**  
23205

**MAKE**  
PEUGEOT



Trac.	CC	Kw	CV
-------	----	----	----



### PEUGEOT

#### 206 (2A/C) 08.98-

#### Hatchback (Supermini car-B Segment)

Model	Year	Fuel	Trac.	CC	Kw	CV	Period	Icon
1.1 (HFY (TU1JP))		Gasolina	FWD	1124	40	54	08.98-07.00	■
1.1 (HFY (TU1JP))		Gasolina	FWD	1124	40	54	08.98-07.00	■
1.1 i (HFX (TU1JP))	-12/00	Gasolina	FWD	1124	44	60	09.98-02.07	■
1.1 i (HFX (TU1JP))	-12/00	Gasolina	FWD	1124	44	60	09.98-02.07	■
1.1 i (HFZ (TU1JP))	-12/00	Gasolina	FWD	1124	44	60	09.98-02.07	■
1.1 i (HFZ (TU1JP))	-12/00	Gasolina	FWD	1124	44	60	09.98-02.07	■
1.4 i (KFW (TU3A))	-12/00	Gasolina	FWD	1360	55	75	09.98-12.12	■
1.4 i (KFW (TU3A))	-12/00	Gasolina	FWD	1360	55	75	09.98-12.12	■
1.4 i (KFW (TU3JP))	-12/00	Gasolina	FWD	1360	55	75	09.98-12.12	■
1.4 i (KFW (TU3JP))	-12/00	Gasolina	FWD	1360	55	75	09.98-12.12	■
1.4 i (KFX (TU3JP))	-12/00	Gasolina	FWD	1360	55	75	09.98-12.12	■
1.4 i (KFX (TU3JP))	-12/00	Gasolina	FWD	1360	55	75	09.98-12.12	■

#### 306 (7D, N3, N5) 01.94-04.02

#### Convertible (Compact car-C Segment)

1.6 (NFZ (TU5JP))	01/97-	Gasolina	FWD	1587	65	89	04.96-10.00	■
1.6 (NFZ (TU5JP))	01/97-	Gasolina	FWD	1587	65	89	04.96-10.00	■