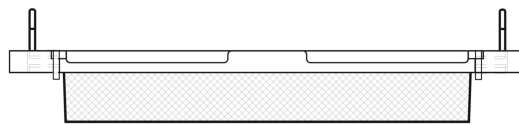
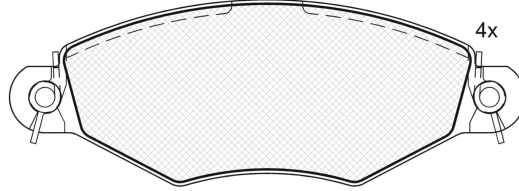
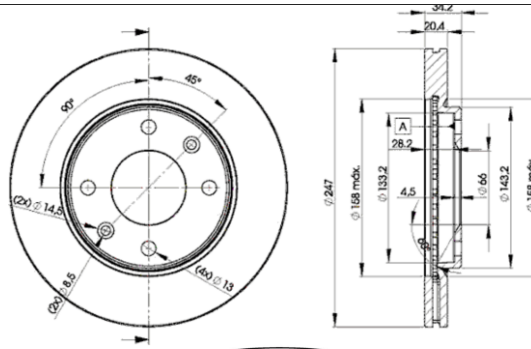


LISTA DE APLICACIONES - BUYERS GUIDE

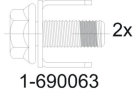
31255-4694



Weight: 10.475



181255-702



31255-4694



Bendix

130.7x47.25x18
Ø247x20.4x34.2

WVA
23205
MAKE
PEUGEOT



Trac.	CC	Kw	CV
-------	----	----	----



PEUGEOT

								Hatchback (Supermini car-B Segment)	
206 (2A/C) 08.98-									
1.4 i (KFW (TU3A))	-12/00	Gasolina	FWD	1360	55	75	09.98-12.12	■	
1.4 i (KFW (TU3A))	-12/00	Gasolina	FWD	1360	55	75	09.98-12.12	■	
1.4 i (KFW (TU3JP))	-12/00	Gasolina	FWD	1360	55	75	09.98-12.12	■	
1.4 i (KFW (TU3JP))	-12/00	Gasolina	FWD	1360	55	75	09.98-12.12	■	
1.4 i (KFX (TU3JP))	-12/00	Gasolina	FWD	1360	55	75	09.98-12.12	■	
1.4 i (KFX (TU3JP))	-12/00	Gasolina	FWD	1360	55	75	09.98-12.12	■	
1.6 i (NFZ (TU5JP))		Gasolina	FWD	1587	65	89	09.98-12.00	■	
1.6 i (NFZ (TU5JP))		Gasolina	FWD	1587	65	89	09.98-12.00	■	
1.9 D (WJY (DW8B))	-12/00	Diesel	FWD	1868	51	69	09.98-11.01	■	
1.9 D (WJY (DW8B))	-12/00	Diesel	FWD	1868	51	69	09.98-11.01	■	
1.9 D (WJZ (DW8))	-12/00	Diesel	FWD	1868	51	69	09.98-11.01	■	
1.9 D (WJZ (DW8))	-12/00	Diesel	FWD	1868	51	69	09.98-11.01	■	
306 (7E, N3, N5) 06.94-12.02								Estate (Compact car-C Segment)	
1.6 (NFZ (TU5JP))		Gasolina	FWD	1587	65	89	03.97-10.00	■	
1.6 (NFZ (TU5JP))		Gasolina	FWD	1587	65	89	03.97-10.00	■	
306 (7A, 7C, N3, N5) 01.93-10.03								Hatchback (Compact car-C Segment)	
1.4 (KDX (TU3MC))	01/97-	Gasolina	FWD	1360	55	75	04.93-07.01	■	
1.4 (KDX (TU3MC))	01/97-	Gasolina	FWD	1360	55	75	04.93-07.01	■	
1.4 (KFW (TU3JP))	01/97-	Gasolina	FWD	1360	55	75	04.93-07.01	■	
1.4 (KFW (TU3JP))	01/97-	Gasolina	FWD	1360	55	75	04.93-07.01	■	
1.4 (KFX (TU3JP))	01/97-	Gasolina	FWD	1360	55	75	04.93-07.01	■	
1.4 (KFX (TU3JP))	01/97-	Gasolina	FWD	1360	55	75	04.93-07.01	■	

LISTA DE APLICACIONES - BUYERS GUIDE

1.6 (NFZ (TU5JP))	01/97-	Gasolina	FWD	1587	65	89	05.93-10.00	■	
1.6 (NFZ (TU5JP))	01/97-	Gasolina	FWD	1587	65	89	05.93-10.00	■	
1.6 (NFZ (TU5JP))		Gasolina	FWD	1587	66	90	07.00-05.01	■	
1.6 (NFZ (TU5JP))		Gasolina	FWD	1587	66	90	07.00-05.01	■	
1.6 (NFT (TU5JP))	-12/00	Gasolina	FWD	1587	72	98	10.00-05.01	■	
1.6 (NFT (TU5JP))	-12/00	Gasolina	FWD	1587	72	98	10.00-05.01	■	
306 (7B, N3, N5) 04.93-10.03							Saloon (Compact car-C Segment)		
1.4 SL (KDX (TU3MC))	01/97-	Gasolina	FWD	1360	55	75	06.94-05.01	■	
1.4 SL (KDX (TU3MC))	01/97-	Gasolina	FWD	1360	55	75	06.94-05.01	■	
1.4 SL (KFW (TU3JP))	01/97-	Gasolina	FWD	1360	55	75	06.94-05.01	■	
1.4 SL (KFW (TU3JP))	01/97-	Gasolina	FWD	1360	55	75	06.94-05.01	■	
1.4 SL (KFX (TU3JP))	01/97-	Gasolina	FWD	1360	55	75	06.94-05.01	■	
1.4 SL (KFX (TU3JP))	01/97-	Gasolina	FWD	1360	55	75	06.94-05.01	■	
1.6 SR (NFZ (TU5JP))	01/97-	Gasolina	FWD	1587	65	89	06.94-10.00	■	
1.6 SR (NFZ (TU5JP))	01/97-	Gasolina	FWD	1587	65	89	06.94-10.00	■	
1.6 (NFT (TU5JP))	-12/00	Gasolina	FWD	1587	72	98	10.00-05.01	■	
1.6 (NFT (TU5JP))	-12/00	Gasolina	FWD	1587	72	98	10.00-05.01	■	