

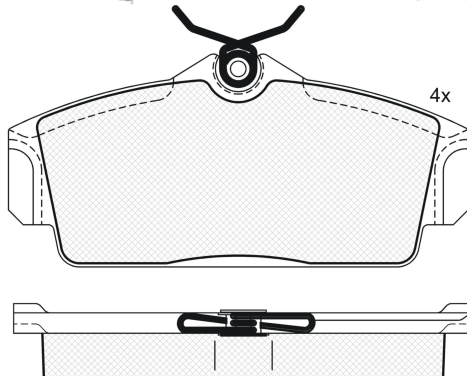
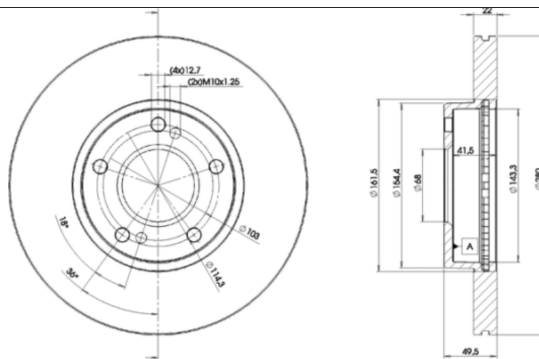
LISTA DE APLICACIONES - BUYERS GUIDE

31290-1057

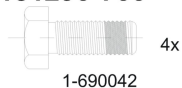


8 424073 103932

Weight: 15.920



181290-700



31290-1057



Lucas - Girling

124x57.2x17.3

Ø280x22x49.6

WVA

23463

MAKE

NISSAN



Trac.	CC	Kw	CV
-------	----	----	----



Front / Rear

NISSAN

ALMERA II / PULSAR / SENTRA (N16) 01.00-							Hatchback (Compact car-C Segment)	
1.5 (QG15DE)		Gasolina	FWD	1497	72	98	10.02-09.06	■
1.5 (QG15DE)		Gasolina	FWD	1497	72	98	10.02-09.06	■
1.5 (QG15DE)	-12/02	Gasolina	FWD	1498	66	90	03.00-11.06	■
1.5 (QG15DE)	-12/02	Gasolina	FWD	1498	66	90	03.00-11.06	■
1.8 (QG18DE)	01/01-	Gasolina	FWD	1769	84	114	01.00-11.02	■
1.8 (QG18DE)	01/01-	Gasolina	FWD	1769	84	114	01.00-11.02	■
1.8 (QG18DE)		Gasolina	FWD	1769	85	116	10.02-09.06	■
1.8 (QG18DE)		Gasolina	FWD	1769	85	116	10.02-09.06	■
1.5 dCi (K9K 722)		Diesel	FWD	1461	60	82	01.03-09.06	■
1.5 dCi (K9K 722)		Diesel	FWD	1461	60	82	01.03-09.06	■
2.2 Di (YD22DDT)	01/01-	Diesel	FWD	2184	81	110	03.00-04.03	■
2.2 Di (YD22DDT)	01/01-	Diesel	FWD	2184	81	110	03.00-04.03	■
2.2 dCi (YD22DDT)		Diesel	FWD	2184	82	112	09.03-09.06	■
2.2 dCi (YD22DDT)		Diesel	FWD	2184	82	112	09.03-09.06	■
2.2 dCi (YD22DDTI)		Diesel	FWD	2184	100	136	09.03-09.06	■
2.2 dCi (YD22DDTI)		Diesel	FWD	2184	100	136	09.03-09.06	■
ALMERA II / PULSAR / SENTRA (N16) 04.00-							Saloon (Compact car-C Segment)	
1.5 (QG15DE)		Gasolina	FWD	1497	72	98	10.02-09.06	■
1.5 (QG15DE)		Gasolina	FWD	1497	72	98	10.02-09.06	■
1.5 (QG15DE)	01/01-	Gasolina	FWD	1498	66	90	07.00-11.06	■
1.5 (QG15DE)	01/01-	Gasolina	FWD	1498	66	90	07.00-11.06	■
1.5	-12/02	Gasolina	FWD	1498	77	105	03.01-	■

LISTA DE APLICACIONES - BUYERS GUIDE

1.5	-12/02	Gasolina	FWD	1498	77	105	03.01-	■	
1.8 (QG18DE)	01/01-	Gasolina	FWD	1769	84	114	07.00-11.02	■	
1.8 (QG18DE)	01/01-	Gasolina	FWD	1769	84	114	07.00-11.02	■	
1.8 (QG18DE)		Gasolina	FWD	1769	85	116	10.02-09.06	■	
1.8 (QG18DE)		Gasolina	FWD	1769	85	116	10.02-09.06	■	
1.5 dCi (K9K 722)		Diesel	FWD	1461	60	82	01.03-09.06	■	
1.5 dCi (K9K 722)		Diesel	FWD	1461	60	82	01.03-09.06	■	
2.2 Di (YD22DDT)	01/01-	Diesel	FWD	2184	81	110	07.00-04.03	■	
2.2 Di (YD22DDT)	01/01-	Diesel	FWD	2184	81	110	07.00-04.03	■	
2.2 dCi (YD22DDT)		Diesel	FWD	2184	82	112	09.03-09.06	■	
2.2 dCi (YD22DDT)		Diesel	FWD	2184	82	112	09.03-09.06	■	
2.2 dCi (YD22DDTI)		Diesel	FWD	2184	100	136	09.03-09.06	■	
2.2 dCi (YD22DDTI)		Diesel	FWD	2184	100	136	09.03-09.06	■	
PRIMERA II (P11) 06.96-07.02							Hatchback (Large family car-D Segment)		
1.6 16V (GA16DE)	01/99-	Gasolina	FWD	1597	66	90	09.96-07.02	■	
1.6 16V (GA16DE)	01/99-	Gasolina	FWD	1597	66	90	09.96-07.02	■	
1.6 16V (GA16DE)	01/99-	Gasolina	FWD	1597	73	99	09.96-07.02	■	
1.6 16V (GA16DE)	01/99-	Gasolina	FWD	1597	73	99	09.96-07.02	■	
1.6 16V (QG16DE)		Gasolina	FWD	1597	78	106	09.00-07.02	■	
1.6 16V (QG16DE)		Gasolina	FWD	1597	78	106	09.00-07.02	■	
1.8 16V (QG18DE)		Gasolina	FWD	1769	84	114	08.99-07.02	■	
1.8 16V (QG18DE)		Gasolina	FWD	1769	84	114	08.99-07.02	■	
2.0 16V (SR20DE)	-12/00	Gasolina	FWD	1998	103	140	08.99-07.02	■	
2.0 16V (SR20DE)	-12/00	Gasolina	FWD	1998	103	140	08.99-07.02	■	
2.0 16V (SR20DE)	01/99-	Gasolina	FWD	1998	110	150	09.96-07.02	■	
2.0 16V (SR20DE)	01/99-	Gasolina	FWD	1998	110	150	09.96-07.02	■	
2.0 TD (CD20T)	01/99-	Diesel	FWD	1974	66	90	09.96-07.02	■	
2.0 TD (CD20T)	01/99-	Diesel	FWD	1974	66	90	09.96-07.02	■	
PRIMERA II (P11) 06.96-07.02							Saloon (Large family car-D Segment)		
1.6 16V (GA16DE)	01/99-	Gasolina	FWD	1597	66	90	09.96-12.01	■	
1.6 16V (GA16DE)	01/99-	Gasolina	FWD	1597	66	90	09.96-12.01	■	
1.6 16V (GA16DE)	01/99-	Gasolina	FWD	1597	73	99	09.96-10.00	■	
1.6 16V (GA16DE)	01/99-	Gasolina	FWD	1597	73	99	09.96-10.00	■	
1.6 16V (QG16DE)		Gasolina	FWD	1597	78	106	06.96-12.01	■	
1.6 16V (QG16DE)		Gasolina	FWD	1597	78	106	06.96-12.01	■	
1.8 16V (QG18DE)		Gasolina	FWD	1769	84	114	08.99-12.01	■	
1.8 16V (QG18DE)		Gasolina	FWD	1769	84	114	08.99-12.01	■	
2.0 16V (SR20DE)	-12/00	Gasolina	FWD	1998	103	140	08.99-12.01	■	
2.0 16V (SR20DE)	-12/00	Gasolina	FWD	1998	103	140	08.99-12.01	■	
2.0 16V (SR20DE)	01/98-	Gasolina	FWD	1998	110	150	09.96-12.01	■	
2.0 16V (SR20DE)	01/98-	Gasolina	FWD	1998	110	150	09.96-12.01	■	
2.0 TD (CD20T)	01/98-	Diesel	FWD	1974	66	90	09.96-12.01	■	
2.0 TD (CD20T)	01/98-	Diesel	FWD	1974	66	90	09.96-12.01	■	
PRIMERA II Traveller (WP11) 06.96-01.02							Estate (Large family car-D Segment)		
1.6 16V (GA16DE)		Gasolina	FWD	1597	66	90	04.98-12.01	■	
1.6 16V (GA16DE)		Gasolina	FWD	1597	66	90	04.98-12.01	■	
1.6 16V (GA16DE)		Gasolina	FWD	1597	73	99	04.98-12.01	■	
1.6 16V (GA16DE)		Gasolina	FWD	1597	73	99	04.98-12.01	■	
1.6 16V		Gasolina	FWD	1597	80	109	04.98-12.01	■	
1.6 16V		Gasolina	FWD	1597	80	109	04.98-12.01	■	

LISTA DE APLICACIONES - BUYERS GUIDE

1.8 16V (QG18DE)		Gasolina	FWD	1769	84	114	08.99-12.01	■
1.8 16V (QG18DE)		Gasolina	FWD	1769	84	114	08.99-12.01	■
2.0 16V (SR20DE)	01/98-	Gasolina	FWD	1998	85	115	06.96-12.01	■
2.0 16V (SR20DE)	01/98-	Gasolina	FWD	1998	85	115	06.96-12.01	■
2.0 16V (SR20DE)	-12/99	Gasolina	FWD	1998	96	131	04.98-12.01	■
2.0 16V (SR20DE)	-12/99	Gasolina	FWD	1998	96	131	04.98-12.01	■
2.0 16V (SR20DE)	-12/00	Gasolina	FWD	1998	103	140	08.99-12.01	■
2.0 16V (SR20DE)	-12/00	Gasolina	FWD	1998	103	140	08.99-12.01	■
2.0 TD (CD20T)		Diesel	FWD	1974	66	90	04.98-12.01	■
2.0 TD (CD20T)		Diesel	FWD	1974	66	90	04.98-12.01	■