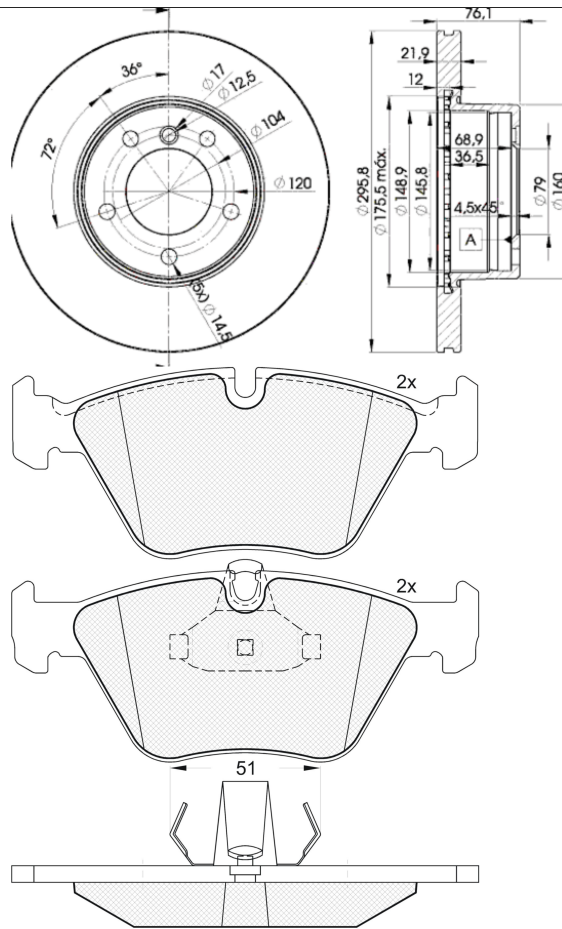


LISTA DE APLICACIONES - BUYERS GUIDE

31296-4839



Weight: 18.081



31296-4839



Ate - Teves

154.6x63.6x20.3
Ø296x22x76

WVA

21677

21990

MAKE

BMW



Trac.	CC	Kw	CV
-------	----	----	----



Front / Rear

BMW

5 Serie IV (E39) 09.95-12.03

Saloon (Executive car-E Segment)

Model	Year	Trac.	CC	Kw	CV	Period	Availability
520 i (M52 B20 (206S3))	1990	RWD	1990	100	136	01.96-06.03	■
520 i (M52 B20 (206S3))	1990	RWD	1990	100	136	01.96-06.03	■
520 i (M52 B20 (206S4))	1990	RWD	1990	100	136	01.96-06.03	■
520 i (M52 B20 (206S4))	1990	RWD	1990	100	136	01.96-06.03	■
520 i (M52 B20 (206S3))	1990	RWD	1990	110	150	01.96-06.03	■
520 i (M52 B20 (206S3))	1990	RWD	1990	110	150	01.96-06.03	■
520 i (M52 B20 (206S4))	1990	RWD	1990	110	150	01.96-06.03	■
520 i (M52 B20 (206S4))	1990	RWD	1990	110	150	01.96-06.03	■
523 i (M52 B25 (256S3))	2494	RWD	2494	125	170	09.95-08.00	■
523 i (M52 B25 (256S3))	2494	RWD	2494	125	170	09.95-08.00	■
523 i (M52 B25 (256S4))	2494	RWD	2494	125	170	09.95-08.00	■
523 i (M52 B25 (256S4))	2494	RWD	2494	125	170	09.95-08.00	■
525 i (M54 B25 (256S5))	2494	RWD	2494	141	192	09.00-06.03	■
525 i (M54 B25 (256S5))	2494	RWD	2494	141	192	09.00-06.03	■
528i (M52 B28 (286S1))	2793	RWD	2793	142	193	09.95-08.00	■
528i (M52 B28 (286S1))	2793	RWD	2793	142	193	09.95-08.00	■
528i (M52 B28 (286S2))	2793	RWD	2793	142	193	09.95-08.00	■
528i (M52 B28 (286S2))	2793	RWD	2793	142	193	09.95-08.00	■
535i (M62 B35 (358S1))	3498	RWD	3498	173	235	06.96-08.98	■
535i (M62 B35 (358S1))	3498	RWD	3498	173	235	06.96-08.98	■
525 td (M51 D25 (256T1))	2497	RWD	2497	85	116	01.97-06.03	■
525 td (M51 D25 (256T1))	2497	RWD	2497	85	116	01.97-06.03	■
525 tds (M51 D25 (256T1))	2497	RWD	2497	105	143	01.96-06.03	■

LISTA DE APLICACIONES - BUYERS GUIDE

525 tds (M51 D25 (256T1))		Diesel	RWD	2497	105	143	01.96-06.03	■	
525 d (M57 D25 (256D1))		Diesel	RWD	2497	120	163	02.00-06.03	■	
525 d (M57 D25 (256D1))		Diesel	RWD	2497	120	163	02.00-06.03	■	
530 d (M57 D30 (306D1))		Diesel	RWD	2926	135	184	08.98-09.00	■	
530 d (M57 D30 (306D1))		Diesel	RWD	2926	135	184	08.98-09.00	■	
5 Serie IV Touring (E39) 09.96-06.04					Estate (Executive car-E Segment)				
520 i (M52 B20 (206S3))		Gasolina	RWD	1990	100	136	03.97-08.01	■	
520 i (M52 B20 (206S3))		Gasolina	RWD	1990	100	136	03.97-08.01	■	
520 i (M52 B20 (206S4))		Gasolina	RWD	1990	100	136	03.97-08.01	■	
520 i (M52 B20 (206S4))		Gasolina	RWD	1990	100	136	03.97-08.01	■	
520 i (M52 B20 (206S3))		Gasolina	RWD	1990	110	150	03.97-08.01	■	
520 i (M52 B20 (206S3))		Gasolina	RWD	1990	110	150	03.97-08.01	■	
520 i (M52 B20 (206S4))		Gasolina	RWD	1990	110	150	03.97-08.01	■	
520 i (M52 B20 (206S4))		Gasolina	RWD	1990	110	150	03.97-08.01	■	
523 i (M52 B25 (256S3))		Gasolina	RWD	2494	125	170	03.97-08.00	■	
523 i (M52 B25 (256S3))		Gasolina	RWD	2494	125	170	03.97-08.00	■	
523 i (M52 B25 (256S4))		Gasolina	RWD	2494	125	170	03.97-08.00	■	
523 i (M52 B25 (256S4))		Gasolina	RWD	2494	125	170	03.97-08.00	■	
525 i (M54 B25 (256S5))		Gasolina	RWD	2494	141	192	09.00-05.04	■	
525 i (M54 B25 (256S5))		Gasolina	RWD	2494	141	192	09.00-05.04	■	
528i (M52 B28 (286S1))		Gasolina	RWD	2793	142	193	11.96-08.00	■	
528i (M52 B28 (286S1))		Gasolina	RWD	2793	142	193	11.96-08.00	■	
528i (M52 B28 (286S2))		Gasolina	RWD	2793	142	193	11.96-08.00	■	
528i (M52 B28 (286S2))		Gasolina	RWD	2793	142	193	11.96-08.00	■	
525 tds (M51 D25 (256T1))		Diesel	RWD	2497	105	143	03.97-05.04	■	
525 tds (M51 D25 (256T1))		Diesel	RWD	2497	105	143	03.97-05.04	■	
525 d (M57 D25 (256D1))		Diesel	RWD	2497	120	163	02.00-05.04	■	
525 d (M57 D25 (256D1))		Diesel	RWD	2497	120	163	02.00-05.04	■	
530 d (M57 D30 (306D1))		Diesel	RWD	2926	135	184	08.98-09.00	■	
530 d (M57 D30 (306D1))		Diesel	RWD	2926	135	184	08.98-09.00	■	