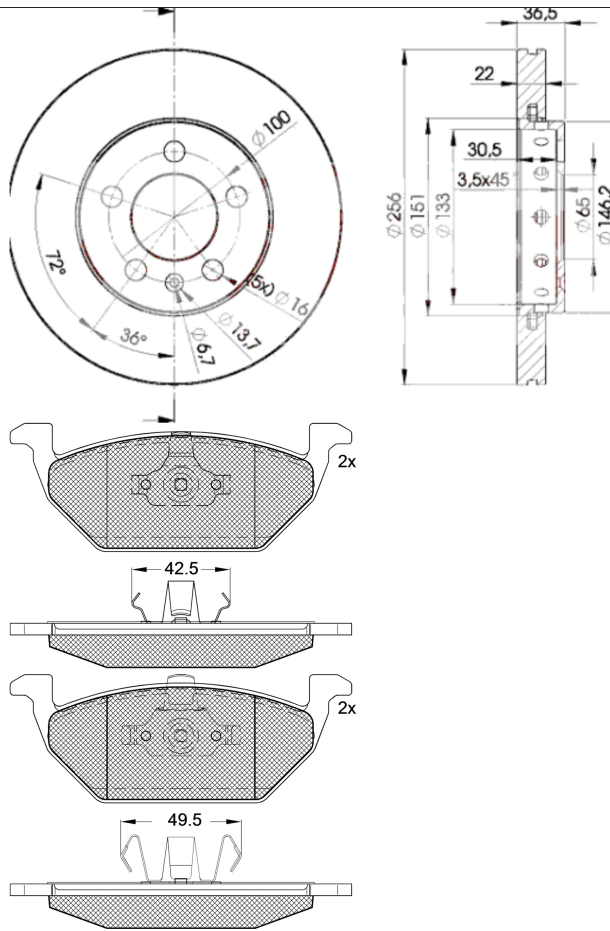


LISTA DE APLICACIONES - BUYERS GUIDE

31338-5602



Weight: 12.515



31338-5602



Ate - Teves

146x54.7x19.5
Ø256x22x36.5

WVA
23130

MAKE
SEAT
SKODA
VW



| Trac. | CC | Kw | CV |
|-------|----|----|----|
|-------|----|----|----|



Front / Rear

SEAT

CORDOBA III (6L2) 09.02-11.09

Saloon (Supermini car-B Segment)

| | | | | | | | | |
|---------------|--------|----------|-----|------|----|-----|-------------|---|
| 1.2 (AZQ) | | Gasolina | FWD | 1198 | 47 | 64 | 10.02-06.06 | ■ |
| 1.2 (AZQ) | | Gasolina | FWD | 1198 | 47 | 64 | 10.02-06.06 | ■ |
| 1.2 (BME) | | Gasolina | FWD | 1198 | 47 | 64 | 10.02-06.06 | ■ |
| 1.2 (BME) | | Gasolina | FWD | 1198 | 47 | 64 | 10.02-06.06 | ■ |
| 1.2 12V (BXV) | -12/08 | Gasolina | FWD | 1198 | 51 | 70 | 05.06-11.09 | ■ |
| 1.2 12V (BXV) | -12/08 | Gasolina | FWD | 1198 | 51 | 70 | 05.06-11.09 | ■ |
| 1.4 16V (BBY) | -12/06 | Gasolina | FWD | 1390 | 55 | 75 | 09.02-12.07 | ■ |
| 1.4 16V (BBY) | -12/06 | Gasolina | FWD | 1390 | 55 | 75 | 09.02-12.07 | ■ |
| 1.4 16V (BKY) | -12/06 | Gasolina | FWD | 1390 | 55 | 75 | 09.02-12.07 | ■ |
| 1.4 16V (BKY) | -12/06 | Gasolina | FWD | 1390 | 55 | 75 | 09.02-12.07 | ■ |
| 1.4 16V (BXW) | -12/08 | Gasolina | FWD | 1390 | 63 | 86 | 05.06-11.09 | ■ |
| 1.4 16V (BXW) | -12/08 | Gasolina | FWD | 1390 | 63 | 86 | 05.06-11.09 | ■ |
| 1.4 TDI (BNM) | -12/08 | Diesel | FWD | 1422 | 51 | 70 | 05.05-11.09 | ■ |
| 1.4 TDI (BNM) | -12/08 | Diesel | FWD | 1422 | 51 | 70 | 05.05-11.09 | ■ |
| 1.4 TDI (AMF) | | Diesel | FWD | 1422 | 55 | 75 | 10.02-12.05 | ■ |
| 1.4 TDI (AMF) | | Diesel | FWD | 1422 | 55 | 75 | 10.02-12.05 | ■ |
| 1.4 TDI (BMS) | -12/08 | Diesel | FWD | 1422 | 59 | 80 | 06.05-11.09 | ■ |
| 1.4 TDI (BMS) | -12/08 | Diesel | FWD | 1422 | 59 | 80 | 06.05-11.09 | ■ |
| 1.4 TDI (BNV) | -12/08 | Diesel | FWD | 1422 | 59 | 80 | 06.05-11.09 | ■ |
| 1.4 TDI (BNV) | -12/08 | Diesel | FWD | 1422 | 59 | 80 | 06.05-11.09 | ■ |
| 1.9 SDI (ASY) | -12/06 | Diesel | FWD | 1896 | 47 | 64 | 09.02-11.09 | ■ |
| 1.9 SDI (ASY) | -12/06 | Diesel | FWD | 1896 | 47 | 64 | 09.02-11.09 | ■ |
| 1.9 TDI (ATD) | -12/08 | Diesel | FWD | 1896 | 74 | 100 | 09.02-11.09 | ■ |

LISTA DE APLICACIONES - BUYERS GUIDE

| | | | | | | | | | |
|------------------------------------|--------|----------|-----|------|----|-----|--|---|--|
| 1.9 TDI (ATD) | -12/08 | Diesel | FWD | 1896 | 74 | 100 | 09.02-11.09 | ■ | |
| 1.9 TDI (AXR) | -12/08 | Diesel | FWD | 1896 | 74 | 100 | 09.02-11.09 | ■ | |
| 1.9 TDI (AXR) | -12/08 | Diesel | FWD | 1896 | 74 | 100 | 09.02-11.09 | ■ | |
| 1.9 TDI (BMT) | -12/08 | Diesel | FWD | 1896 | 74 | 100 | 09.02-11.09 | ■ | |
| 1.9 TDI (BMT) | -12/08 | Diesel | FWD | 1896 | 74 | 100 | 09.02-11.09 | ■ | |
| IBIZA III (6L1) 02.02-11.09 | | | | | | | Hatchback (Supermini car-B Segment) | | |
| 1.2 (BBM) | | Gasolina | FWD | 1198 | 44 | 60 | 06.07-05.08 | ■ | |
| 1.2 (BBM) | | Gasolina | FWD | 1198 | 44 | 60 | 06.07-05.08 | ■ | |
| 1.2 (AZQ) | | Gasolina | FWD | 1198 | 47 | 64 | 02.02-06.06 | ■ | |
| 1.2 (AZQ) | | Gasolina | FWD | 1198 | 47 | 64 | 02.02-06.06 | ■ | |
| 1.2 (BME) | | Gasolina | FWD | 1198 | 47 | 64 | 02.02-06.06 | ■ | |
| 1.2 (BME) | | Gasolina | FWD | 1198 | 47 | 64 | 02.02-06.06 | ■ | |
| 1.2 12V (BXV) | -12/08 | Gasolina | FWD | 1198 | 51 | 70 | 05.06-11.09 | ■ | |
| 1.2 12V (BXV) | -12/08 | Gasolina | FWD | 1198 | 51 | 70 | 05.06-11.09 | ■ | |
| 1.4 16V (BBY) | | Gasolina | FWD | 1390 | 55 | 75 | 02.02-12.07 | ■ | |
| 1.4 16V (BBY) | | Gasolina | FWD | 1390 | 55 | 75 | 02.02-12.07 | ■ | |
| 1.4 16V (BKY) | | Gasolina | FWD | 1390 | 55 | 75 | 02.02-12.07 | ■ | |
| 1.4 16V (BKY) | | Gasolina | FWD | 1390 | 55 | 75 | 02.02-12.07 | ■ | |
| 1.4 16V (BXW) | -12/08 | Gasolina | FWD | 1390 | 63 | 86 | 05.06-11.09 | ■ | |
| 1.4 16V (BXW) | -12/08 | Gasolina | FWD | 1390 | 63 | 86 | 05.06-11.09 | ■ | |
| 1.6 16V (BTS) | -12/08 | Gasolina | FWD | 1598 | 77 | 105 | 11.06-11.09 | ■ | |
| 1.6 16V (BTS) | -12/08 | Gasolina | FWD | 1598 | 77 | 105 | 11.06-11.09 | ■ | |
| 1.4 TDI (BNM) | -12/08 | Diesel | FWD | 1422 | 51 | 70 | 05.05-11.09 | ■ | |
| 1.4 TDI (BNM) | -12/08 | Diesel | FWD | 1422 | 51 | 70 | 05.05-11.09 | ■ | |
| 1.4 TDI (AMF) | | Diesel | FWD | 1422 | 55 | 75 | 05.02-12.05 | ■ | |
| 1.4 TDI (AMF) | | Diesel | FWD | 1422 | 55 | 75 | 05.02-12.05 | ■ | |
| 1.4 TDI (BMS) | -12/08 | Diesel | FWD | 1422 | 59 | 80 | 06.05-11.09 | ■ | |
| 1.4 TDI (BMS) | -12/08 | Diesel | FWD | 1422 | 59 | 80 | 06.05-11.09 | ■ | |
| 1.4 TDI (BNV) | -12/08 | Diesel | FWD | 1422 | 59 | 80 | 06.05-11.09 | ■ | |
| 1.4 TDI (BNV) | -12/08 | Diesel | FWD | 1422 | 59 | 80 | 06.05-11.09 | ■ | |
| 1.9 SDI (ASY) | | Diesel | FWD | 1896 | 47 | 64 | 02.02-12.05 | ■ | |
| 1.9 SDI (ASY) | | Diesel | FWD | 1896 | 47 | 64 | 02.02-12.05 | ■ | |
| IBIZA IV (6J1) 04.08- | | | | | | | Hatchback Van (Supermini car-B Segment) | | |
| 1.2 (CGPA) | | Gasolina | FWD | 1198 | 51 | 69 | 04.08-05.15 | ■ | |
| 1.2 (CGPA) | | Gasolina | FWD | 1198 | 51 | 69 | 04.08-05.15 | ■ | |
| IBIZA IV (6J5, 6P1) 03.08- | | | | | | | Hatchback (Supermini car-B Segment) | | |
| 1.2 (BZG) | | Gasolina | FWD | 1198 | 51 | 70 | 03.08-05.15 | ■ | |
| 1.2 (BZG) | | Gasolina | FWD | 1198 | 51 | 70 | 03.08-05.15 | ■ | |
| 1.2 (CGPA) | | Gasolina | FWD | 1198 | 51 | 70 | 03.08-05.15 | ■ | |
| 1.2 (CGPA) | | Gasolina | FWD | 1198 | 51 | 70 | 03.08-05.15 | ■ | |
| 1.2 (CJLB) | | Gasolina | FWD | 1198 | 51 | 70 | 03.08-05.15 | ■ | |
| 1.2 (CJLB) | | Gasolina | FWD | 1198 | 51 | 70 | 03.08-05.15 | ■ | |
| 1.4 (BXW) | | Gasolina | FWD | 1390 | 63 | 85 | 03.08-05.15 | ■ | |
| 1.4 (BXW) | | Gasolina | FWD | 1390 | 63 | 85 | 03.08-05.15 | ■ | |
| 1.4 (CGGB) | | Gasolina | FWD | 1390 | 63 | 85 | 03.08-05.15 | ■ | |
| 1.4 (CGGB) | | Gasolina | FWD | 1390 | 63 | 85 | 03.08-05.15 | ■ | |
| 1.6 (BTS) | | Gasolina | FWD | 1598 | 77 | 105 | 05.08-03.12 | ■ | |
| 1.6 (BTS) | | Gasolina | FWD | 1598 | 77 | 105 | 05.08-03.12 | ■ | |
| 1.4 TDI (BMS) | | Diesel | FWD | 1422 | 59 | 80 | 07.08-06.10 | ■ | |
| 1.4 TDI (BMS) | | Diesel | FWD | 1422 | 59 | 80 | 07.08-06.10 | ■ | |

LISTA DE APLICACIONES - BUYERS GUIDE

| | | | | | | | | |
|---|--------|------------------|-----|------|----|--|-------------|---|
| 1.9 TDI (BXJ) | | Diesel | FWD | 1896 | 66 | 90 | 07.08-06.10 | ■ |
| 1.9 TDI (BXJ) | | Diesel | FWD | 1896 | 66 | 90 | 07.08-06.10 | ■ |
| 1.9 TDI (BLS) | | Diesel | FWD | 1896 | 77 | 105 | 03.08-06.10 | ■ |
| 1.9 TDI (BLS) | | Diesel | FWD | 1896 | 77 | 105 | 03.08-06.10 | ■ |
| IBIZA IV SC (6J1, 6P5) 06.08-12.18 | | | | | | Hatchback (Supermini car-B Segment) | | |
| 1.2 (BZG) | | Gasolina | FWD | 1198 | 51 | 70 | 07.08-05.15 | ■ |
| 1.2 (BZG) | | Gasolina | FWD | 1198 | 51 | 70 | 07.08-05.15 | ■ |
| 1.2 (CGPA) | | Gasolina | FWD | 1198 | 51 | 70 | 07.08-05.15 | ■ |
| 1.2 (CGPA) | | Gasolina | FWD | 1198 | 51 | 70 | 07.08-05.15 | ■ |
| 1.4 (BXW) | | Gasolina | FWD | 1390 | 63 | 85 | 07.08-05.15 | ■ |
| 1.4 (BXW) | | Gasolina | FWD | 1390 | 63 | 85 | 07.08-05.15 | ■ |
| 1.4 (CGGB) | | Gasolina | FWD | 1390 | 63 | 85 | 07.08-05.15 | ■ |
| 1.4 (CGGB) | | Gasolina | FWD | 1390 | 63 | 85 | 07.08-05.15 | ■ |
| 1.4 LPG | | Gasol./Gas (LPG) | FWD | 1390 | 63 | 85 | 07.08-05.11 | ■ |
| 1.4 LPG | | Gasol./Gas (LPG) | FWD | 1390 | 63 | 85 | 07.08-05.11 | ■ |
| LEON (1M1) 11.99-06.06 | | | | | | Hatchback (Compact car-C Segment) | | |
| 1.4 16V (AHW) | -12/99 | Gasolina | FWD | 1390 | 55 | 75 | 11.99-06.06 | ■ |
| 1.4 16V (AHW) | -12/99 | Gasolina | FWD | 1390 | 55 | 75 | 11.99-06.06 | ■ |
| 1.4 16V (APE) | -12/99 | Gasolina | FWD | 1390 | 55 | 75 | 11.99-06.06 | ■ |
| 1.4 16V (APE) | -12/99 | Gasolina | FWD | 1390 | 55 | 75 | 11.99-06.06 | ■ |
| 1.4 16V (AXP) | -12/99 | Gasolina | FWD | 1390 | 55 | 75 | 11.99-06.06 | ■ |
| 1.4 16V (AXP) | -12/99 | Gasolina | FWD | 1390 | 55 | 75 | 11.99-06.06 | ■ |
| 1.4 16V (BCA) | -12/99 | Gasolina | FWD | 1390 | 55 | 75 | 11.99-06.06 | ■ |
| 1.4 16V (BCA) | -12/99 | Gasolina | FWD | 1390 | 55 | 75 | 11.99-06.06 | ■ |
| 1.6 (AEH) | -12/99 | Gasolina | FWD | 1595 | 74 | 100 | 11.99-06.06 | ■ |
| 1.6 (AEH) | -12/99 | Gasolina | FWD | 1595 | 74 | 100 | 11.99-06.06 | ■ |
| 1.6 (AKL) | -12/99 | Gasolina | FWD | 1595 | 74 | 100 | 11.99-06.06 | ■ |
| 1.6 (AKL) | -12/99 | Gasolina | FWD | 1595 | 74 | 100 | 11.99-06.06 | ■ |
| 1.6 16V (AUS) | | Gasolina | FWD | 1598 | 77 | 105 | 09.00-06.06 | ■ |
| 1.6 16V (AUS) | | Gasolina | FWD | 1598 | 77 | 105 | 09.00-06.06 | ■ |
| 1.6 16V (AZD) | | Gasolina | FWD | 1598 | 77 | 105 | 09.00-06.06 | ■ |
| 1.6 16V (AZD) | | Gasolina | FWD | 1598 | 77 | 105 | 09.00-06.06 | ■ |
| 1.6 16V (BCB) | | Gasolina | FWD | 1598 | 77 | 105 | 09.00-06.06 | ■ |
| 1.6 16V (BCB) | | Gasolina | FWD | 1598 | 77 | 105 | 09.00-06.06 | ■ |
| TOLEDO II (1M2) 10.98-05.06 | | | | | | Saloon (Compact car-C Segment) | | |
| 1.4 16V (AHW) | | Gasolina | FWD | 1390 | 55 | 75 | 01.00-05.02 | ■ |
| 1.4 16V (AHW) | | Gasolina | FWD | 1390 | 55 | 75 | 01.00-05.02 | ■ |
| 1.4 16V (APE) | | Gasolina | FWD | 1390 | 55 | 75 | 01.00-05.02 | ■ |
| 1.4 16V (APE) | | Gasolina | FWD | 1390 | 55 | 75 | 01.00-05.02 | ■ |
| 1.4 16V (AXP) | | Gasolina | FWD | 1390 | 55 | 75 | 01.00-05.02 | ■ |
| 1.4 16V (AXP) | | Gasolina | FWD | 1390 | 55 | 75 | 01.00-05.02 | ■ |
| 1.4 16V (BCA) | | Gasolina | FWD | 1390 | 55 | 75 | 01.00-05.02 | ■ |
| 1.4 16V (BCA) | | Gasolina | FWD | 1390 | 55 | 75 | 01.00-05.02 | ■ |
| 1.6 (AEH) | -12/99 | Gasolina | FWD | 1595 | 74 | 100 | 10.98-07.04 | ■ |
| 1.6 (AEH) | -12/99 | Gasolina | FWD | 1595 | 74 | 100 | 10.98-07.04 | ■ |
| 1.6 (AKL) | -12/99 | Gasolina | FWD | 1595 | 74 | 100 | 10.98-07.04 | ■ |
| 1.6 (AKL) | -12/99 | Gasolina | FWD | 1595 | 74 | 100 | 10.98-07.04 | ■ |

SKODA

LISTA DE APLICACIONES - BUYERS GUIDE

| FABIA (6Y5) 01.00-12.07 | | | | | Estate Van (Compact car-C Segment) | | | |
|--------------------------------|--------|----------|-----|------|---|-----|-------------|---|
| 1.2 (AZQ) | -12/06 | Gasolina | FWD | 1198 | 47 | 64 | 01.03-12.07 | ■ |
| 1.2 (AZQ) | -12/06 | Gasolina | FWD | 1198 | 47 | 64 | 01.03-12.07 | ■ |
| 1.2 (BME) | -12/06 | Gasolina | FWD | 1198 | 47 | 64 | 01.03-12.07 | ■ |
| 1.2 (BME) | -12/06 | Gasolina | FWD | 1198 | 47 | 64 | 01.03-12.07 | ■ |
| 1.9 SDI (ASY) | -12/06 | Diesel | FWD | 1896 | 47 | 64 | 07.01-12.07 | ■ |
| 1.9 SDI (ASY) | -12/06 | Diesel | FWD | 1896 | 47 | 64 | 07.01-12.07 | ■ |
| FABIA (6Y2) 08.99-03.08 | | | | | Hatchback (Compact car-C Segment) | | | |
| 1.2 (AZQ) | -12/06 | Gasolina | FWD | 1198 | 47 | 64 | 01.03-03.08 | ■ |
| 1.2 (AZQ) | -12/06 | Gasolina | FWD | 1198 | 47 | 64 | 01.03-03.08 | ■ |
| 1.2 (BME) | -12/06 | Gasolina | FWD | 1198 | 47 | 64 | 01.03-03.08 | ■ |
| 1.2 (BME) | -12/06 | Gasolina | FWD | 1198 | 47 | 64 | 01.03-03.08 | ■ |
| 1.4 16V (AUB) | -12/00 | Gasolina | FWD | 1390 | 74 | 100 | 12.99-03.08 | ■ |
| 1.4 16V (AUB) | -12/00 | Gasolina | FWD | 1390 | 74 | 100 | 12.99-03.08 | ■ |
| 1.4 16V (BBZ) | -12/00 | Gasolina | FWD | 1390 | 74 | 100 | 12.99-03.08 | ■ |
| 1.4 16V (BBZ) | -12/00 | Gasolina | FWD | 1390 | 74 | 100 | 12.99-03.08 | ■ |
| 1.4 (AZE) | -12/00 | Gasolina | FWD | 1397 | 44 | 60 | 08.00-08.02 | ■ |
| 1.4 (AZE) | -12/00 | Gasolina | FWD | 1397 | 44 | 60 | 08.00-08.02 | ■ |
| 1.4 (AZF) | -12/00 | Gasolina | FWD | 1397 | 44 | 60 | 08.00-08.02 | ■ |
| 1.4 (AZF) | -12/00 | Gasolina | FWD | 1397 | 44 | 60 | 08.00-08.02 | ■ |
| 1.4 (AME) | 01/00- | Gasolina | FWD | 1397 | 50 | 68 | 08.99-05.03 | ■ |
| 1.4 (AME) | 01/00- | Gasolina | FWD | 1397 | 50 | 68 | 08.99-05.03 | ■ |
| 1.4 (AQW) | 01/00- | Gasolina | FWD | 1397 | 50 | 68 | 08.99-05.03 | ■ |
| 1.4 (AQW) | 01/00- | Gasolina | FWD | 1397 | 50 | 68 | 08.99-05.03 | ■ |
| 1.4 (ATZ) | 01/00- | Gasolina | FWD | 1397 | 50 | 68 | 08.99-05.03 | ■ |
| 1.4 (ATZ) | 01/00- | Gasolina | FWD | 1397 | 50 | 68 | 08.99-05.03 | ■ |
| 1.9 SDI (ASY) | -12/00 | Diesel | FWD | 1896 | 47 | 64 | 12.99-03.08 | ■ |
| 1.9 SDI (ASY) | -12/00 | Diesel | FWD | 1896 | 47 | 64 | 12.99-03.08 | ■ |
| 1.9 TDI (ATD) | -12/00 | Diesel | FWD | 1896 | 74 | 100 | 01.00-03.08 | ■ |
| 1.9 TDI (ATD) | -12/00 | Diesel | FWD | 1896 | 74 | 100 | 01.00-03.08 | ■ |
| 1.9 TDI (AXR) | -12/00 | Diesel | FWD | 1896 | 74 | 100 | 01.00-03.08 | ■ |
| 1.9 TDI (AXR) | -12/00 | Diesel | FWD | 1896 | 74 | 100 | 01.00-03.08 | ■ |
| FABIA (6Y3) 10.99-12.07 | | | | | Saloon (Compact car-C Segment) | | | |
| 1.2 (AZQ) | -12/06 | Gasolina | FWD | 1198 | 47 | 64 | 01.03-12.07 | ■ |
| 1.2 (AZQ) | -12/06 | Gasolina | FWD | 1198 | 47 | 64 | 01.03-12.07 | ■ |
| 1.2 (BME) | -12/06 | Gasolina | FWD | 1198 | 47 | 64 | 01.03-12.07 | ■ |
| 1.2 (BME) | -12/06 | Gasolina | FWD | 1198 | 47 | 64 | 01.03-12.07 | ■ |
| 1.4 16V (AUB) | -12/00 | Gasolina | FWD | 1390 | 74 | 100 | 12.99-12.07 | ■ |
| 1.4 16V (AUB) | -12/00 | Gasolina | FWD | 1390 | 74 | 100 | 12.99-12.07 | ■ |
| 1.4 16V (BBZ) | -12/00 | Gasolina | FWD | 1390 | 74 | 100 | 12.99-12.07 | ■ |
| 1.4 16V (BBZ) | -12/00 | Gasolina | FWD | 1390 | 74 | 100 | 12.99-12.07 | ■ |
| 1.4 (AZE) | -12/00 | Gasolina | FWD | 1397 | 44 | 60 | 04.00-08.02 | ■ |
| 1.4 (AZE) | -12/00 | Gasolina | FWD | 1397 | 44 | 60 | 04.00-08.02 | ■ |
| 1.4 (AZF) | -12/00 | Gasolina | FWD | 1397 | 44 | 60 | 04.00-08.02 | ■ |
| 1.4 (AZF) | -12/00 | Gasolina | FWD | 1397 | 44 | 60 | 04.00-08.02 | ■ |
| 1.4 (AME) | | Gasolina | FWD | 1397 | 50 | 68 | 07.01-05.03 | ■ |
| 1.4 (AME) | | Gasolina | FWD | 1397 | 50 | 68 | 07.01-05.03 | ■ |
| 1.4 (AQW) | | Gasolina | FWD | 1397 | 50 | 68 | 07.01-05.03 | ■ |
| 1.4 (AQW) | | Gasolina | FWD | 1397 | 50 | 68 | 07.01-05.03 | ■ |
| 1.4 (ATZ) | | Gasolina | FWD | 1397 | 50 | 68 | 07.01-05.03 | ■ |

LISTA DE APLICACIONES - BUYERS GUIDE

| | | | | | | | | | |
|---|--------|----------|-----|------|----|-----|--|---|--|
| 1.4 (ATZ) | | Gasolina | FWD | 1397 | 50 | 68 | 07.01-05.03 | ■ | |
| 1.9 SDI (ASY) | -12/00 | Diesel | FWD | 1896 | 47 | 64 | 11.99-12.07 | ■ | |
| 1.9 SDI (ASY) | -12/00 | Diesel | FWD | 1896 | 47 | 64 | 11.99-12.07 | ■ | |
| 1.9 TDI (ATD) | -12/00 | Diesel | FWD | 1896 | 74 | 100 | 01.00-12.07 | ■ | |
| 1.9 TDI (ATD) | -12/00 | Diesel | FWD | 1896 | 74 | 100 | 01.00-12.07 | ■ | |
| 1.9 TDI (AXR) | -12/00 | Diesel | FWD | 1896 | 74 | 100 | 01.00-12.07 | ■ | |
| 1.9 TDI (AXR) | -12/00 | Diesel | FWD | 1896 | 74 | 100 | 01.00-12.07 | ■ | |
| FABIA II (542) 12.06-12.14 | | | | | | | Hatchback (Compact car-C Segment) | | |
| 1.2 (BBM) | | Gasolina | FWD | 1198 | 44 | 60 | 12.06-12.14 | ■ | |
| 1.2 (BBM) | | Gasolina | FWD | 1198 | 44 | 60 | 12.06-12.14 | ■ | |
| 1.2 (CHFA) | | Gasolina | FWD | 1198 | 44 | 60 | 12.06-12.14 | ■ | |
| 1.2 (CHFA) | | Gasolina | FWD | 1198 | 44 | 60 | 12.06-12.14 | ■ | |
| 1.2 (BZG) | | Gasolina | FWD | 1198 | 51 | 70 | 01.07-12.14 | ■ | |
| 1.2 (BZG) | | Gasolina | FWD | 1198 | 51 | 70 | 01.07-12.14 | ■ | |
| 1.2 (CEVA) | | Gasolina | FWD | 1198 | 51 | 70 | 01.07-12.14 | ■ | |
| 1.2 (CEVA) | | Gasolina | FWD | 1198 | 51 | 70 | 01.07-12.14 | ■ | |
| 1.2 (CGPA) | | Gasolina | FWD | 1198 | 51 | 70 | 01.07-12.14 | ■ | |
| 1.2 (CGPA) | | Gasolina | FWD | 1198 | 51 | 70 | 01.07-12.14 | ■ | |
| 1.2 (CHTA) | | Gasolina | FWD | 1198 | 51 | 70 | 01.07-12.14 | ■ | |
| 1.2 (CHTA) | | Gasolina | FWD | 1198 | 51 | 70 | 01.07-12.14 | ■ | |
| 1.2 12V | | Gasolina | FWD | 1198 | 55 | 75 | 10.10-12.14 | ■ | |
| 1.2 12V | | Gasolina | FWD | 1198 | 55 | 75 | 10.10-12.14 | ■ | |
| 1.4 TDI (BNM) | | Diesel | FWD | 1422 | 51 | 70 | 02.07-03.10 | ■ | |
| 1.4 TDI (BNM) | | Diesel | FWD | 1422 | 51 | 70 | 02.07-03.10 | ■ | |
| FABIA II Combi (545) 10.07-12.14 | | | | | | | Estate (Compact car-C Segment) | | |
| 1.2 (BZG) | | Gasolina | FWD | 1198 | 51 | 70 | 10.07-12.14 | ■ | |
| 1.2 (BZG) | | Gasolina | FWD | 1198 | 51 | 70 | 10.07-12.14 | ■ | |
| 1.2 (CEVA) | | Gasolina | FWD | 1198 | 51 | 70 | 10.07-12.14 | ■ | |
| 1.2 (CEVA) | | Gasolina | FWD | 1198 | 51 | 70 | 10.07-12.14 | ■ | |
| 1.2 (CGPA) | | Gasolina | FWD | 1198 | 51 | 70 | 10.07-12.14 | ■ | |
| 1.2 (CGPA) | | Gasolina | FWD | 1198 | 51 | 70 | 10.07-12.14 | ■ | |
| 1.2 (CHTA) | | Gasolina | FWD | 1198 | 51 | 70 | 10.07-12.14 | ■ | |
| 1.2 (CHTA) | | Gasolina | FWD | 1198 | 51 | 70 | 10.07-12.14 | ■ | |
| 1.4 TDI (BNM) | | Diesel | FWD | 1422 | 51 | 70 | 10.07-03.10 | ■ | |
| 1.4 TDI (BNM) | | Diesel | FWD | 1422 | 51 | 70 | 10.07-03.10 | ■ | |
| FABIA Combi (6Y5) 04.00-12.07 | | | | | | | Estate (Compact car-C Segment) | | |
| 1.2 (AZQ) | -12/06 | Gasolina | FWD | 1198 | 47 | 64 | 01.03-12.07 | ■ | |
| 1.2 (AZQ) | -12/06 | Gasolina | FWD | 1198 | 47 | 64 | 01.03-12.07 | ■ | |
| 1.2 (BME) | -12/06 | Gasolina | FWD | 1198 | 47 | 64 | 01.03-12.07 | ■ | |
| 1.2 (BME) | -12/06 | Gasolina | FWD | 1198 | 47 | 64 | 01.03-12.07 | ■ | |
| 1.4 16V (AUB) | -12/00 | Gasolina | FWD | 1390 | 74 | 100 | 04.00-12.07 | ■ | |
| 1.4 16V (AUB) | -12/00 | Gasolina | FWD | 1390 | 74 | 100 | 04.00-12.07 | ■ | |
| 1.4 16V (BBZ) | -12/00 | Gasolina | FWD | 1390 | 74 | 100 | 04.00-12.07 | ■ | |
| 1.4 16V (BBZ) | -12/00 | Gasolina | FWD | 1390 | 74 | 100 | 04.00-12.07 | ■ | |
| 1.4 (AZE) | -12/00 | Gasolina | FWD | 1397 | 44 | 60 | 04.00-03.03 | ■ | |
| 1.4 (AZE) | -12/00 | Gasolina | FWD | 1397 | 44 | 60 | 04.00-03.03 | ■ | |
| 1.4 (AZF) | -12/00 | Gasolina | FWD | 1397 | 44 | 60 | 04.00-03.03 | ■ | |
| 1.4 (AZF) | -12/00 | Gasolina | FWD | 1397 | 44 | 60 | 04.00-03.03 | ■ | |
| 1.4 (AME) | -12/00 | Gasolina | FWD | 1397 | 50 | 68 | 04.00-05.03 | ■ | |
| 1.4 (AME) | -12/00 | Gasolina | FWD | 1397 | 50 | 68 | 04.00-05.03 | ■ | |

LISTA DE APLICACIONES - BUYERS GUIDE

| | | | | | | | | | |
|---|--------|----------|-----|------|----|-----|---|---|--|
| 1.4 (AQW) | -12/00 | Gasolina | FWD | 1397 | 50 | 68 | 04.00-05.03 | ■ | |
| 1.4 (AQW) | -12/00 | Gasolina | FWD | 1397 | 50 | 68 | 04.00-05.03 | ■ | |
| 1.4 (ATZ) | -12/00 | Gasolina | FWD | 1397 | 50 | 68 | 04.00-05.03 | ■ | |
| 1.4 (ATZ) | -12/00 | Gasolina | FWD | 1397 | 50 | 68 | 04.00-05.03 | ■ | |
| 1.9 SDI (ASY) | -12/00 | Diesel | FWD | 1896 | 47 | 64 | 04.00-12.07 | ■ | |
| 1.9 SDI (ASY) | -12/00 | Diesel | FWD | 1896 | 47 | 64 | 04.00-12.07 | ■ | |
| 1.9 TDI (ATD) | -12/00 | Diesel | FWD | 1896 | 74 | 100 | 04.00-12.07 | ■ | |
| 1.9 TDI (ATD) | -12/00 | Diesel | FWD | 1896 | 74 | 100 | 04.00-12.07 | ■ | |
| 1.9 TDI (AXR) | -12/00 | Diesel | FWD | 1896 | 74 | 100 | 04.00-12.07 | ■ | |
| 1.9 TDI (AXR) | -12/00 | Diesel | FWD | 1896 | 74 | 100 | 04.00-12.07 | ■ | |
| OCTAVIA (1U5) 08.00-03.10 | | | | | | | Estate Van (Compact car-C Segment) | | |
| 1.9 D (AQM) | | Diesel | FWD | 1896 | 50 | 68 | 08.00-12.03 | ■ | |
| 1.9 D (AQM) | | Diesel | FWD | 1896 | 50 | 68 | 08.00-12.03 | ■ | |
| 1.9 TDI (ALH) | -12/00 | Diesel | FWD | 1896 | 66 | 90 | 08.00-03.10 | ■ | |
| 1.9 TDI (ALH) | -12/00 | Diesel | FWD | 1896 | 66 | 90 | 08.00-03.10 | ■ | |
| OCTAVIA (1U2) 09.96-12.10 | | | | | | | Hatchback (Compact car-C Segment) | | |
| 1.9 SDI (AGP) | -12/99 | Diesel | FWD | 1896 | 50 | 68 | 06.97-12.03 | ■ | |
| 1.9 SDI (AGP) | -12/99 | Diesel | FWD | 1896 | 50 | 68 | 06.97-12.03 | ■ | |
| 1.9 SDI (AQM) | -12/99 | Diesel | FWD | 1896 | 50 | 68 | 06.97-12.03 | ■ | |
| 1.9 SDI (AQM) | -12/99 | Diesel | FWD | 1896 | 50 | 68 | 06.97-12.03 | ■ | |
| 1.9 TDI (AGR) | -12/00 | Diesel | FWD | 1896 | 66 | 90 | 09.96-03.10 | ■ | |
| 1.9 TDI (AGR) | -12/00 | Diesel | FWD | 1896 | 66 | 90 | 09.96-03.10 | ■ | |
| 1.9 TDI (ALH) | -12/00 | Diesel | FWD | 1896 | 66 | 90 | 09.96-03.10 | ■ | |
| 1.9 TDI (ALH) | -12/00 | Diesel | FWD | 1896 | 66 | 90 | 09.96-03.10 | ■ | |
| OCTAVIA Combi (1U5) 07.98-12.10 | | | | | | | Estate (Compact car-C Segment) | | |
| 1.9 SDI (AGP) | -12/99 | Diesel | FWD | 1896 | 50 | 68 | 07.98-12.03 | ■ | |
| 1.9 SDI (AGP) | -12/99 | Diesel | FWD | 1896 | 50 | 68 | 07.98-12.03 | ■ | |
| 1.9 SDI (AQM) | -12/99 | Diesel | FWD | 1896 | 50 | 68 | 07.98-12.03 | ■ | |
| 1.9 SDI (AQM) | -12/99 | Diesel | FWD | 1896 | 50 | 68 | 07.98-12.03 | ■ | |
| 1.9 TDI (AGR) | -12/00 | Diesel | FWD | 1896 | 66 | 90 | 07.98-03.10 | ■ | |
| 1.9 TDI (AGR) | -12/00 | Diesel | FWD | 1896 | 66 | 90 | 07.98-03.10 | ■ | |
| 1.9 TDI (ALH) | -12/00 | Diesel | FWD | 1896 | 66 | 90 | 07.98-03.10 | ■ | |
| 1.9 TDI (ALH) | -12/00 | Diesel | FWD | 1896 | 66 | 90 | 07.98-03.10 | ■ | |
| 1.9 TDI 4x4 (AGR) | | Diesel | 4WD | 1896 | 66 | 90 | 11.99-02.06 | ■ | |
| 1.9 TDI 4x4 (AGR) | | Diesel | 4WD | 1896 | 66 | 90 | 11.99-02.06 | ■ | |
| ROOMSTER / PRAKTIK (5J) 03.07-05.15 | | | | | | | Estate Van (Large MPV-M1 Segment) | | |
| 1.2 (BZG) | | Gasolina | FWD | 1198 | 51 | 70 | 03.07-05.15 | ■ | |
| 1.2 (BZG) | | Gasolina | FWD | 1198 | 51 | 70 | 03.07-05.15 | ■ | |
| 1.2 (CGPA) | | Gasolina | FWD | 1198 | 51 | 70 | 03.07-05.15 | ■ | |
| 1.2 (CGPA) | | Gasolina | FWD | 1198 | 51 | 70 | 03.07-05.15 | ■ | |
| 1.4 TDI (BNM) | | Diesel | FWD | 1422 | 51 | 70 | 03.07-03.10 | ■ | |
| 1.4 TDI (BNM) | | Diesel | FWD | 1422 | 51 | 70 | 03.07-03.10 | ■ | |
| ROOMSTER / PRAKTIK (5J7) 03.06-05.15 | | | | | | | MPV (Large MPV-M1 Segment) | | |
| 1.2 (BME) | | Gasolina | FWD | 1198 | 47 | 64 | 05.06-01.07 | ■ | |
| 1.2 (BME) | | Gasolina | FWD | 1198 | 47 | 64 | 05.06-01.07 | ■ | |
| 1.2 (BZG) | | Gasolina | FWD | 1198 | 51 | 70 | 01.07-05.15 | ■ | |
| 1.2 (BZG) | | Gasolina | FWD | 1198 | 51 | 70 | 01.07-05.15 | ■ | |
| 1.2 (CGPA) | | Gasolina | FWD | 1198 | 51 | 70 | 01.07-05.15 | ■ | |
| 1.2 (CGPA) | | Gasolina | FWD | 1198 | 51 | 70 | 01.07-05.15 | ■ | |

LISTA DE APLICACIONES - BUYERS GUIDE

| | | | | | | | | |
|---------------|--|----------|-----|------|----|-----|-------------|---|
| 1.4 (BXW) | | Gasolina | FWD | 1390 | 63 | 86 | 09.06-05.15 | ■ |
| 1.4 (BXW) | | Gasolina | FWD | 1390 | 63 | 86 | 09.06-05.15 | ■ |
| 1.4 (CGGB) | | Gasolina | FWD | 1390 | 63 | 86 | 09.06-05.15 | ■ |
| 1.4 (CGGB) | | Gasolina | FWD | 1390 | 63 | 86 | 09.06-05.15 | ■ |
| 1.6 (BTS) | | Gasolina | FWD | 1598 | 77 | 105 | 09.06-05.15 | ■ |
| 1.6 (BTS) | | Gasolina | FWD | 1598 | 77 | 105 | 09.06-05.15 | ■ |
| 1.6 (CFNA) | | Gasolina | FWD | 1598 | 77 | 105 | 09.06-05.15 | ■ |
| 1.6 (CFNA) | | Gasolina | FWD | 1598 | 77 | 105 | 09.06-05.15 | ■ |
| 1.4 TDI (BNM) | | Diesel | FWD | 1422 | 51 | 70 | 07.06-03.10 | ■ |
| 1.4 TDI (BNM) | | Diesel | FWD | 1422 | 51 | 70 | 07.06-03.10 | ■ |
| 1.4 TDI (BMS) | | Diesel | FWD | 1422 | 59 | 80 | 09.06-03.10 | ■ |
| 1.4 TDI (BMS) | | Diesel | FWD | 1422 | 59 | 80 | 09.06-03.10 | ■ |
| 1.4 TDI (BNV) | | Diesel | FWD | 1422 | 59 | 80 | 09.06-03.10 | ■ |
| 1.4 TDI (BNV) | | Diesel | FWD | 1422 | 59 | 80 | 09.06-03.10 | ■ |
| 1.9 TDI (BLS) | | Diesel | FWD | 1896 | 77 | 105 | 09.06-03.10 | ■ |
| 1.9 TDI (BLS) | | Diesel | FWD | 1896 | 77 | 105 | 09.06-03.10 | ■ |
| 1.9 TDI (BSW) | | Diesel | FWD | 1896 | 77 | 105 | 09.06-03.10 | ■ |
| 1.9 TDI (BSW) | | Diesel | FWD | 1896 | 77 | 105 | 09.06-03.10 | ■ |

VW

| BORA / JETTA IV (1J2) 10.98-12.13 | | | | | | | | Saloon (Compact car-C Segment) |
|---|--------|----------|-----|------|----|-----|-------------|--|
| 1.6 (AEH) | -12/99 | Gasolina | FWD | 1595 | 74 | 101 | 10.98-05.05 | ■ |
| 1.6 (AEH) | -12/99 | Gasolina | FWD | 1595 | 74 | 101 | 10.98-05.05 | ■ |
| 1.6 (AKL) | -12/99 | Gasolina | FWD | 1595 | 74 | 101 | 10.98-05.05 | ■ |
| 1.6 (AKL) | -12/99 | Gasolina | FWD | 1595 | 74 | 101 | 10.98-05.05 | ■ |
| 1.6 (APF) | -12/99 | Gasolina | FWD | 1595 | 74 | 101 | 10.98-05.05 | ■ |
| 1.6 (APF) | -12/99 | Gasolina | FWD | 1595 | 74 | 101 | 10.98-05.05 | ■ |
| FOX II (5Z1, 5Z3, 5Z4, 5Z5) 08.03- | | | | | | | | Hatchback (City car-A Segment) |
| 1.4 (BKR) | | Gasolina | FWD | 1390 | 55 | 75 | 04.05-12.09 | ■ |
| 1.4 (BKR) | | Gasolina | FWD | 1390 | 55 | 75 | 04.05-12.09 | ■ |
| 1.4 TDI (BNM) | | Diesel | FWD | 1422 | 51 | 70 | 04.05-12.09 | ■ |
| 1.4 TDI (BNM) | | Diesel | FWD | 1422 | 51 | 70 | 04.05-12.09 | ■ |
| POLO IV (9N_, 9A_) 10.01-10.14 | | | | | | | | Hatchback (Supermini car-B Segment) |
| 1.2 (AWY) | | Gasolina | FWD | 1198 | 40 | 54 | 01.02-05.07 | ■ |
| 1.2 (AWY) | | Gasolina | FWD | 1198 | 40 | 54 | 01.02-05.07 | ■ |
| 1.2 (BMD) | | Gasolina | FWD | 1198 | 40 | 54 | 01.02-05.07 | ■ |
| 1.2 (BMD) | | Gasolina | FWD | 1198 | 40 | 54 | 01.02-05.07 | ■ |
| 1.2 (BBM) | | Gasolina | FWD | 1198 | 44 | 60 | 05.07-11.09 | ■ |
| 1.2 (BBM) | | Gasolina | FWD | 1198 | 44 | 60 | 05.07-11.09 | ■ |
| 1.2 12V (AZQ) | | Gasolina | FWD | 1198 | 47 | 64 | 10.01-07.07 | ■ |
| 1.2 12V (AZQ) | | Gasolina | FWD | 1198 | 47 | 64 | 10.01-07.07 | ■ |
| 1.2 12V (BME) | | Gasolina | FWD | 1198 | 47 | 64 | 10.01-07.07 | ■ |
| 1.2 12V (BME) | | Gasolina | FWD | 1198 | 47 | 64 | 10.01-07.07 | ■ |
| 1.2 12V (BZG) | | Gasolina | FWD | 1198 | 51 | 69 | 05.07-11.09 | ■ |
| 1.2 12V (BZG) | | Gasolina | FWD | 1198 | 51 | 69 | 05.07-11.09 | ■ |
| 1.4 16V (AUA) | | Gasolina | FWD | 1390 | 55 | 75 | 10.01-05.08 | ■ |
| 1.4 16V (AUA) | | Gasolina | FWD | 1390 | 55 | 75 | 10.01-05.08 | ■ |
| 1.4 16V (BBY) | | Gasolina | FWD | 1390 | 55 | 75 | 10.01-05.08 | ■ |
| 1.4 16V (BBY) | | Gasolina | FWD | 1390 | 55 | 75 | 10.01-05.08 | ■ |
| 1.4 16V (BKY) | | Gasolina | FWD | 1390 | 55 | 75 | 10.01-05.08 | ■ |
| 1.4 16V (BKY) | | Gasolina | FWD | 1390 | 55 | 75 | 10.01-05.08 | ■ |

LISTA DE APLICACIONES - BUYERS GUIDE

| | | | | | | | | |
|---------------------------------|--------|----------|-----|------|----|-----|--|---|
| 1.4 16V (BUD) | | Gasolina | FWD | 1390 | 59 | 80 | 05.06-11.09 | ■ |
| 1.4 16V (BUD) | | Gasolina | FWD | 1390 | 59 | 80 | 05.06-11.09 | ■ |
| 1.4 FSI (AXU) | | Gasolina | FWD | 1390 | 63 | 86 | 02.02-07.06 | ■ |
| 1.4 FSI (AXU) | | Gasolina | FWD | 1390 | 63 | 86 | 02.02-07.06 | ■ |
| 1.4 16V (AUB) | 01/02- | Gasolina | FWD | 1390 | 74 | 101 | 10.01-05.08 | ■ |
| 1.4 16V (AUB) | 01/02- | Gasolina | FWD | 1390 | 74 | 101 | 10.01-05.08 | ■ |
| 1.4 16V (BBZ) | 01/02- | Gasolina | FWD | 1390 | 74 | 101 | 10.01-05.08 | ■ |
| 1.4 16V (BBZ) | 01/02- | Gasolina | FWD | 1390 | 74 | 101 | 10.01-05.08 | ■ |
| 1.6 16V (BTS) | | Gasolina | FWD | 1598 | 77 | 105 | 05.06-11.09 | ■ |
| 1.6 16V (BTS) | | Gasolina | FWD | 1598 | 77 | 105 | 05.06-11.09 | ■ |
| 1.4 TDI (BNM) | | Diesel | FWD | 1422 | 51 | 70 | 04.05-11.09 | ■ |
| 1.4 TDI (BNM) | | Diesel | FWD | 1422 | 51 | 70 | 04.05-11.09 | ■ |
| 1.4 TDI (BWB) | | Diesel | FWD | 1422 | 51 | 70 | 04.05-11.09 | ■ |
| 1.4 TDI (BWB) | | Diesel | FWD | 1422 | 51 | 70 | 04.05-11.09 | ■ |
| 1.4 TDI (AMF) | | Diesel | FWD | 1422 | 55 | 75 | 10.01-06.05 | ■ |
| 1.4 TDI (AMF) | | Diesel | FWD | 1422 | 55 | 75 | 10.01-06.05 | ■ |
| 1.4 TDI (BAY) | | Diesel | FWD | 1422 | 55 | 75 | 10.01-06.05 | ■ |
| 1.4 TDI (BAY) | | Diesel | FWD | 1422 | 55 | 75 | 10.01-06.05 | ■ |
| 1.4 TDI (BMS) | | Diesel | FWD | 1422 | 59 | 80 | 04.05-11.09 | ■ |
| 1.4 TDI (BMS) | | Diesel | FWD | 1422 | 59 | 80 | 04.05-11.09 | ■ |
| 1.4 TDI (BNV) | | Diesel | FWD | 1422 | 59 | 80 | 04.05-11.09 | ■ |
| 1.4 TDI (BNV) | | Diesel | FWD | 1422 | 59 | 80 | 04.05-11.09 | ■ |
| 1.9 SDI (ASY) | -12/01 | Diesel | FWD | 1896 | 47 | 64 | 10.01-11.09 | ■ |
| 1.9 SDI (ASY) | -12/01 | Diesel | FWD | 1896 | 47 | 64 | 10.01-11.09 | ■ |
| 1.9 TDI (ATD) | -12/01 | Diesel | FWD | 1896 | 74 | 101 | 10.01-11.09 | ■ |
| 1.9 TDI (ATD) | -12/01 | Diesel | FWD | 1896 | 74 | 101 | 10.01-11.09 | ■ |
| 1.9 TDI (AXR) | -12/01 | Diesel | FWD | 1896 | 74 | 101 | 10.01-11.09 | ■ |
| 1.9 TDI (AXR) | -12/01 | Diesel | FWD | 1896 | 74 | 101 | 10.01-11.09 | ■ |
| 1.9 TDI (BMT) | -12/01 | Diesel | FWD | 1896 | 74 | 101 | 10.01-11.09 | ■ |
| 1.9 TDI (BMT) | -12/01 | Diesel | FWD | 1896 | 74 | 101 | 10.01-11.09 | ■ |
| POLO V (6R1, 6C1) 03.09- | | | | | | | Hatchback Van (Supermini car-B Segment) | |
| 1.0 (CHYA) | | Gasolina | FWD | 999 | 44 | 60 | 01.14-10.17 | ■ |
| 1.0 (CHYA) | | Gasolina | FWD | 999 | 44 | 60 | 01.14-10.17 | ■ |
| 1.0 (CHYB) | | Gasolina | FWD | 999 | 55 | 75 | 01.14-10.17 | ■ |
| 1.0 (CHYB) | | Gasolina | FWD | 999 | 55 | 75 | 01.14-10.17 | ■ |
| 1.0 TSI (CHZB) | | Gasolina | FWD | 999 | 70 | 95 | 11.14-10.17 | ■ |
| 1.0 TSI (CHZB) | | Gasolina | FWD | 999 | 70 | 95 | 11.14-10.17 | ■ |
| 1.2 TSI (CJZC) | | Gasolina | FWD | 1197 | 66 | 90 | 02.14-10.17 | ■ |
| 1.2 TSI (CJZC) | | Gasolina | FWD | 1197 | 66 | 90 | 02.14-10.17 | ■ |
| 1.2 TSI (CJZD) | | Gasolina | FWD | 1197 | 81 | 110 | 01.14-10.17 | ■ |
| 1.2 TSI (CJZD) | | Gasolina | FWD | 1197 | 81 | 110 | 01.14-10.17 | ■ |
| 1.4 TDI (CUSA) | | Diesel | FWD | 1422 | 55 | 75 | 03.14-10.17 | ■ |
| 1.4 TDI (CUSA) | | Diesel | FWD | 1422 | 55 | 75 | 03.14-10.17 | ■ |
| 1.4 TDI (CYZB) | | Diesel | FWD | 1422 | 55 | 75 | 03.14-10.17 | ■ |
| 1.4 TDI (CYZB) | | Diesel | FWD | 1422 | 55 | 75 | 03.14-10.17 | ■ |
| 1.4 TDI (CUSB) | | Diesel | FWD | 1422 | 66 | 90 | 02.14-10.17 | ■ |
| 1.4 TDI (CUSB) | | Diesel | FWD | 1422 | 66 | 90 | 02.14-10.17 | ■ |
| POLO V (6R1, 6C1) 03.09- | | | | | | | Hatchback (Supermini car-B Segment) | |
| 1.0 (CHYA) | | Gasolina | FWD | 999 | 44 | 60 | 01.14-10.17 | ■ |
| 1.0 (CHYA) | | Gasolina | FWD | 999 | 44 | 60 | 01.14-10.17 | ■ |

LISTA DE APLICACIONES - BUYERS GUIDE

| | | | | | | | | |
|--------------------|--|------------------|-----|------|-----|-----|-------------|---|
| 1.0 (CHYB) | | Gasolina | FWD | 999 | 55 | 75 | 01.14-10.17 | ■ |
| 1.0 (CHYB) | | Gasolina | FWD | 999 | 55 | 75 | 01.14-10.17 | ■ |
| 1.0 TSI (CHZB) | | Gasolina | FWD | 999 | 70 | 95 | 11.14-10.17 | ■ |
| 1.0 TSI (CHZB) | | Gasolina | FWD | 999 | 70 | 95 | 11.14-10.17 | ■ |
| 1.0 TSI (CHZC) | | Gasolina | FWD | 999 | 81 | 110 | 11.14-10.17 | ■ |
| 1.0 TSI (CHZC) | | Gasolina | FWD | 999 | 81 | 110 | 11.14-10.17 | ■ |
| 1.2 TSI | | Gasolina | FWD | 1197 | 63 | 86 | 06.09- | ■ |
| 1.2 TSI | | Gasolina | FWD | 1197 | 63 | 86 | 06.09- | ■ |
| 1.2 TSI (CBZC) | | Gasolina | FWD | 1197 | 66 | 90 | 05.11-05.14 | ■ |
| 1.2 TSI (CBZC) | | Gasolina | FWD | 1197 | 66 | 90 | 05.11-05.14 | ■ |
| 1.2 TSI (CBZB) | | Gasolina | FWD | 1197 | 77 | 105 | 11.09-05.22 | ■ |
| 1.2 TSI (CBZB) | | Gasolina | FWD | 1197 | 77 | 105 | 11.09-05.22 | ■ |
| 1.2 TSI (CJZD) | | Gasolina | FWD | 1197 | 81 | 110 | 01.14-10.17 | ■ |
| 1.2 TSI (CJZD) | | Gasolina | FWD | 1197 | 81 | 110 | 01.14-10.17 | ■ |
| 1.2 (CGPB) | | Gasolina | FWD | 1198 | 44 | 60 | 06.09-05.14 | ■ |
| 1.2 (CGPB) | | Gasolina | FWD | 1198 | 44 | 60 | 06.09-05.14 | ■ |
| 1.2 (CGPA) | | Gasolina | FWD | 1198 | 51 | 70 | 06.09-05.14 | ■ |
| 1.2 (CGPA) | | Gasolina | FWD | 1198 | 51 | 70 | 06.09-05.14 | ■ |
| 1.2 | | Gasolina | FWD | 1198 | 55 | 75 | 08.11-02.18 | ■ |
| 1.2 | | Gasolina | FWD | 1198 | 55 | 75 | 08.11-02.18 | ■ |
| 1.4 (6R1) (CDDA) | | Gasolina | FWD | 1390 | 63 | 85 | 03.09-05.14 | ■ |
| 1.4 (6R1) (CDDA) | | Gasolina | FWD | 1390 | 63 | 85 | 03.09-05.14 | ■ |
| 1.4 (6R1) (CGGB) | | Gasolina | FWD | 1390 | 63 | 85 | 03.09-05.14 | ■ |
| 1.4 (6R1) (CGGB) | | Gasolina | FWD | 1390 | 63 | 85 | 03.09-05.14 | ■ |
| 1.4 (6R1) (CLPA) | | Gasolina | FWD | 1390 | 63 | 85 | 03.09-05.14 | ■ |
| 1.4 (6R1) (CLPA) | | Gasolina | FWD | 1390 | 63 | 85 | 03.09-05.14 | ■ |
| 1.6 | | Gasolina | FWD | 1598 | 63 | 86 | 05.10- | ■ |
| 1.6 | | Gasolina | FWD | 1598 | 63 | 86 | 05.10- | ■ |
| 1.6 (CWVB) | | Gasolina | FWD | 1598 | 66 | 90 | 07.14-10.17 | ■ |
| 1.6 (CWVB) | | Gasolina | FWD | 1598 | 66 | 90 | 07.14-10.17 | ■ |
| 1.6 (CWVA) | | Gasolina | FWD | 1598 | 81 | 110 | 07.14-10.17 | ■ |
| 1.6 (CWVA) | | Gasolina | FWD | 1598 | 81 | 110 | 07.14-10.17 | ■ |
| 1.8 GTI | | Gasolina | FWD | 1798 | 136 | 185 | 11.14- | ■ |
| 1.8 GTI | | Gasolina | FWD | 1798 | 136 | 185 | 11.14- | ■ |
| 1.8 GTI (DAJA) | | Gasolina | FWD | 1798 | 141 | 192 | 11.14-10.17 | ■ |
| 1.8 GTI (DAJA) | | Gasolina | FWD | 1798 | 141 | 192 | 11.14-10.17 | ■ |
| 1.8 GTI (DAJB) | | Gasolina | FWD | 1798 | 141 | 192 | 11.14-10.17 | ■ |
| 1.8 GTI (DAJB) | | Gasolina | FWD | 1798 | 141 | 192 | 11.14-10.17 | ■ |
| 1.8 GTI 230 (DAJA) | | Gasolina | FWD | 1798 | 169 | 230 | 04.16-10.17 | ■ |
| 1.8 GTI 230 (DAJA) | | Gasolina | FWD | 1798 | 169 | 230 | 04.16-10.17 | ■ |
| 1.4 BiFuel (CMAA) | | Gasol./Gas (LPG) | FWD | 1390 | 60 | 82 | 03.10-01.11 | ■ |
| 1.4 BiFuel (CMAA) | | Gasol./Gas (LPG) | FWD | 1390 | 60 | 82 | 03.10-01.11 | ■ |
| 1.6 BiFuel (CNKA) | | Gasol./Gas (LPG) | FWD | 1598 | 60 | 82 | 01.11-05.14 | ■ |
| 1.6 BiFuel (CNKA) | | Gasol./Gas (LPG) | FWD | 1598 | 60 | 82 | 01.11-05.14 | ■ |
| 1.2 TDI (CFWA) | | Diesel | FWD | 1199 | 55 | 75 | 10.09-05.14 | ■ |
| 1.2 TDI (CFWA) | | Diesel | FWD | 1199 | 55 | 75 | 10.09-05.14 | ■ |
| 1.4 TDI (CUSA) | | Diesel | FWD | 1422 | 55 | 75 | 03.14-10.17 | ■ |
| 1.4 TDI (CUSA) | | Diesel | FWD | 1422 | 55 | 75 | 03.14-10.17 | ■ |
| 1.4 TDI (CYZB) | | Diesel | FWD | 1422 | 55 | 75 | 03.14-10.17 | ■ |
| 1.4 TDI (CYZB) | | Diesel | FWD | 1422 | 55 | 75 | 03.14-10.17 | ■ |

LISTA DE APLICACIONES - BUYERS GUIDE

| | | | | | | | | |
|--------------------------------------|--|----------|-----|------|----|--|-------------|---|
| 1.4 TDI (CUSB) | | Diesel | FWD | 1422 | 66 | 90 | 02.14-10.17 | ■ |
| 1.4 TDI (CUSB) | | Diesel | FWD | 1422 | 66 | 90 | 02.14-10.17 | ■ |
| 1.4 TDI (CUTA) | | Diesel | FWD | 1422 | 77 | 105 | 05.14-10.17 | ■ |
| 1.4 TDI (CUTA) | | Diesel | FWD | 1422 | 77 | 105 | 05.14-10.17 | ■ |
| 1.4 TDI (CYZA) | | Diesel | FWD | 1422 | 77 | 105 | 05.14-10.17 | ■ |
| 1.4 TDI (CYZA) | | Diesel | FWD | 1422 | 77 | 105 | 05.14-10.17 | ■ |
| 1.5 TDI | | Diesel | RWD | 1498 | 66 | 90 | 07.14- | ■ |
| 1.5 TDI | | Diesel | RWD | 1498 | 66 | 90 | 07.14- | ■ |
| 1.6 TDI (CAYA) | | Diesel | FWD | 1598 | 55 | 75 | 06.09-05.14 | ■ |
| 1.6 TDI (CAYA) | | Diesel | FWD | 1598 | 55 | 75 | 06.09-05.14 | ■ |
| 1.6 TDI (CAYB) | | Diesel | FWD | 1598 | 66 | 90 | 06.09-05.14 | ■ |
| 1.6 TDI (CAYB) | | Diesel | FWD | 1598 | 66 | 90 | 06.09-05.14 | ■ |
| POLO V VIVO (6S1, 6S3) 02.10- | | | | | | Hatchback (Supermini car-B Segment) | | |
| 1.4 | | Gasolina | FWD | 1390 | 55 | 75 | 03.10-03.19 | ■ |
| 1.4 | | Gasolina | FWD | 1390 | 55 | 75 | 03.10-03.19 | ■ |