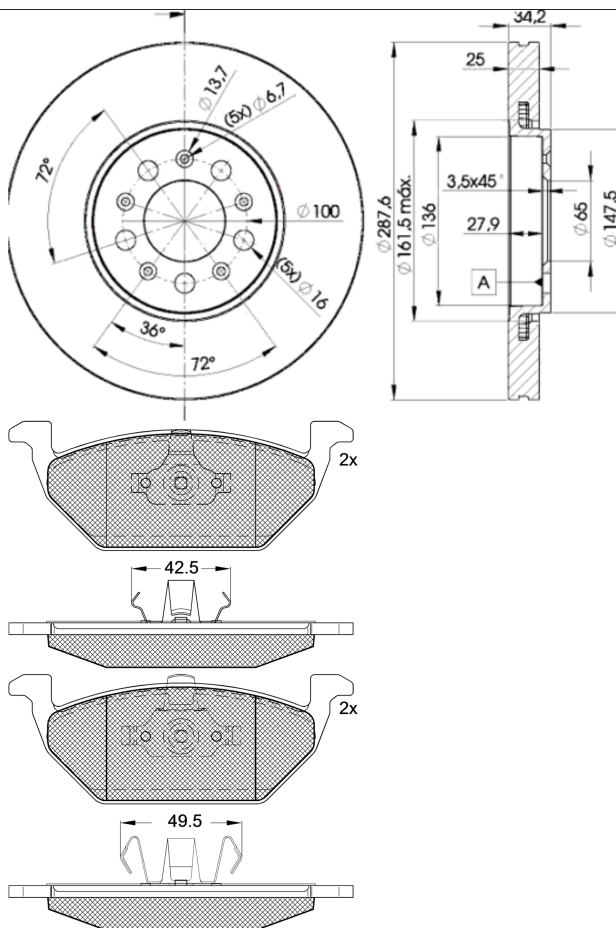


LISTA DE APLICACIONES - BUYERS GUIDE

31338-5604



Weight: 17.225



31338-5604



Ate - Teves

146x54.7x19.5
Ø287.6x25x34.2

WVA
23130
MAKE
AUDI
SEAT
SKODA
VW



Trac.	CC	Kw	CV		
					Front / Rear

AUDI

						Hatchback (Compact executive car-D Segment)				
A3 (8L1) 09.96-09.06										
1.9 TDI (AHF)	01/98-	Diesel	FWD	1896	81	110	08.97-07.01	■		
1.9 TDI (AHF)	01/98-	Diesel	FWD	1896	81	110	08.97-07.01	■		
1.9 TDI (ASV)	01/98-	Diesel	FWD	1896	81	110	08.97-07.01	■		
1.9 TDI (ASV)	01/98-	Diesel	FWD	1896	81	110	08.97-07.01	■		

SEAT

						Saloon (Supermini car-B Segment)				
CORDOBA III (6L2) 09.02-11.09										
1.4 16V (BBY)	-12/06	Gasolina	FWD	1390	55	75	09.02-12.07	■		
1.4 16V (BBY)	-12/06	Gasolina	FWD	1390	55	75	09.02-12.07	■		
1.4 16V (BKY)	-12/06	Gasolina	FWD	1390	55	75	09.02-12.07	■		
1.4 16V (BKY)	-12/06	Gasolina	FWD	1390	55	75	09.02-12.07	■		
1.4 TDI (AMF)		Diesel	FWD	1422	55	75	10.02-12.05	■		
1.4 TDI (AMF)		Diesel	FWD	1422	55	75	10.02-12.05	■		
1.9 SDI (ASY)	-12/06	Diesel	FWD	1896	47	64	09.02-11.09	■		
1.9 SDI (ASY)	-12/06	Diesel	FWD	1896	47	64	09.02-11.09	■		
1.9 TDI (ATD)	-12/08	Diesel	FWD	1896	74	100	09.02-11.09	■		
1.9 TDI (ATD)	-12/08	Diesel	FWD	1896	74	100	09.02-11.09	■		
1.9 TDI (AXR)	-12/08	Diesel	FWD	1896	74	100	09.02-11.09	■		
1.9 TDI (AXR)	-12/08	Diesel	FWD	1896	74	100	09.02-11.09	■		
1.9 TDI (BMT)	-12/08	Diesel	FWD	1896	74	100	09.02-11.09	■		
1.9 TDI (BMT)	-12/08	Diesel	FWD	1896	74	100	09.02-11.09	■		

						Hatchback (Supermini car-B Segment)				
IBIZA III (6L1) 02.02-11.09										
1.6 (BAH)	-12/08	Gasolina	FWD	1598	74	101	02.03-11.09	■		

LISTA DE APLICACIONES - BUYERS GUIDE

1.6 (BAH)	-12/08	Gasolina	FWD	1598	74	101	02.03-11.09	■
SKODA								
FABIA II (542) 12.06-12.14				Hatchback (Compact car-C Segment)				
1.4 TDI (BNM)		Diesel	FWD	1422	51	70	02.07-03.10	■
1.4 TDI (BNM)		Diesel	FWD	1422	51	70	02.07-03.10	■
FABIA II Combi (545) 10.07-12.14				Estate (Compact car-C Segment)				
1.2 (BZG)		Gasolina	FWD	1198	51	70	10.07-12.14	■
1.2 (BZG)		Gasolina	FWD	1198	51	70	10.07-12.14	■
1.2 (CEVA)		Gasolina	FWD	1198	51	70	10.07-12.14	■
1.2 (CEVA)		Gasolina	FWD	1198	51	70	10.07-12.14	■
1.2 (CGPA)		Gasolina	FWD	1198	51	70	10.07-12.14	■
1.2 (CGPA)		Gasolina	FWD	1198	51	70	10.07-12.14	■
1.2 (CHTA)		Gasolina	FWD	1198	51	70	10.07-12.14	■
1.2 (CHTA)		Gasolina	FWD	1198	51	70	10.07-12.14	■
1.4 TDI (BNM)		Diesel	FWD	1422	51	70	10.07-03.10	■
1.4 TDI (BNM)		Diesel	FWD	1422	51	70	10.07-03.10	■
OCTAVIA (1U2) 09.96-12.10				Hatchback (Compact car-C Segment)				
1.9 TDI (AHF)	-12/00	Diesel	FWD	1896	81	110	08.97-01.06	■
1.9 TDI (AHF)	-12/00	Diesel	FWD	1896	81	110	08.97-01.06	■
1.9 TDI (ASV)	-12/00	Diesel	FWD	1896	81	110	08.97-01.06	■
1.9 TDI (ASV)	-12/00	Diesel	FWD	1896	81	110	08.97-01.06	■
OCTAVIA Combi (1U5) 07.98-12.10				Estate (Compact car-C Segment)				
2.0 (AEG)	-12/00	Gasolina	FWD	1984	85	116	04.99-05.07	■
2.0 (AEG)	-12/00	Gasolina	FWD	1984	85	116	04.99-05.07	■
2.0 (APK)	-12/00	Gasolina	FWD	1984	85	116	04.99-05.07	■
2.0 (APK)	-12/00	Gasolina	FWD	1984	85	116	04.99-05.07	■
2.0 (AQY)	-12/00	Gasolina	FWD	1984	85	116	04.99-05.07	■
2.0 (AQY)	-12/00	Gasolina	FWD	1984	85	116	04.99-05.07	■
2.0 (AZH)	-12/00	Gasolina	FWD	1984	85	116	04.99-05.07	■
2.0 (AZH)	-12/00	Gasolina	FWD	1984	85	116	04.99-05.07	■
2.0 (AZJ)	-12/00	Gasolina	FWD	1984	85	116	04.99-05.07	■
2.0 (AZJ)	-12/00	Gasolina	FWD	1984	85	116	04.99-05.07	■
1.9 TDI (AHF)	-12/00	Diesel	FWD	1896	81	110	07.98-01.06	■
1.9 TDI (AHF)	-12/00	Diesel	FWD	1896	81	110	07.98-01.06	■
1.9 TDI (ASV)	-12/00	Diesel	FWD	1896	81	110	07.98-01.06	■
1.9 TDI (ASV)	-12/00	Diesel	FWD	1896	81	110	07.98-01.06	■
ROOMSTER / PRAKTIK (5J7) 03.06-05.15				MPV (Large MPV-M1 Segment)				
1.2 (BZG)		Gasolina	FWD	1198	51	70	01.07-05.15	■
1.2 (BZG)		Gasolina	FWD	1198	51	70	01.07-05.15	■
1.2 (CGPA)		Gasolina	FWD	1198	51	70	01.07-05.15	■
1.2 (CGPA)		Gasolina	FWD	1198	51	70	01.07-05.15	■
1.4 (BXW)		Gasolina	FWD	1390	63	86	09.06-05.15	■
1.4 (BXW)		Gasolina	FWD	1390	63	86	09.06-05.15	■
1.4 (CGGB)		Gasolina	FWD	1390	63	86	09.06-05.15	■
1.4 (CGGB)		Gasolina	FWD	1390	63	86	09.06-05.15	■
1.6 (BTS)		Gasolina	FWD	1598	77	105	09.06-05.15	■
1.6 (BTS)		Gasolina	FWD	1598	77	105	09.06-05.15	■
1.6 (CFNA)		Gasolina	FWD	1598	77	105	09.06-05.15	■
1.6 (CFNA)		Gasolina	FWD	1598	77	105	09.06-05.15	■

LISTA DE APLICACIONES - BUYERS GUIDE

1.4 TDI (BNM)		Diesel	FWD	1422	51	70	07.06-03.10	■	
1.4 TDI (BNM)		Diesel	FWD	1422	51	70	07.06-03.10	■	
1.4 TDI (BMS)		Diesel	FWD	1422	59	80	09.06-03.10	■	
1.4 TDI (BMS)		Diesel	FWD	1422	59	80	09.06-03.10	■	
1.4 TDI (BNV)		Diesel	FWD	1422	59	80	09.06-03.10	■	
1.4 TDI (BNV)		Diesel	FWD	1422	59	80	09.06-03.10	■	
1.9 TDI (BLS)		Diesel	FWD	1896	77	105	09.06-03.10	■	
1.9 TDI (BLS)		Diesel	FWD	1896	77	105	09.06-03.10	■	
1.9 TDI (BSW)		Diesel	FWD	1896	77	105	09.06-03.10	■	
1.9 TDI (BSW)		Diesel	FWD	1896	77	105	09.06-03.10	■	
VW									
POLO V (6R1, 6C1) 03.09-							Hatchback Van (Supermini car-B Segment)		
1.0 (CHYA)		Gasolina	FWD	999	44	60	01.14-10.17	■	
1.0 (CHYA)		Gasolina	FWD	999	44	60	01.14-10.17	■	
1.0 (CHYB)		Gasolina	FWD	999	55	75	01.14-10.17	■	
1.0 (CHYB)		Gasolina	FWD	999	55	75	01.14-10.17	■	
1.0 TSI (CHZB)		Gasolina	FWD	999	70	95	11.14-10.17	■	
1.0 TSI (CHZB)		Gasolina	FWD	999	70	95	11.14-10.17	■	
1.4 TDI (CUSA)		Diesel	FWD	1422	55	75	03.14-10.17	■	
1.4 TDI (CUSA)		Diesel	FWD	1422	55	75	03.14-10.17	■	
1.4 TDI (CYZB)		Diesel	FWD	1422	55	75	03.14-10.17	■	
1.4 TDI (CYZB)		Diesel	FWD	1422	55	75	03.14-10.17	■	
POLO V (6R1, 6C1) 03.09-							Hatchback (Supermini car-B Segment)		
1.0 (CHYA)		Gasolina	FWD	999	44	60	01.14-10.17	■	
1.0 (CHYA)		Gasolina	FWD	999	44	60	01.14-10.17	■	
1.0 (CHYB)		Gasolina	FWD	999	55	75	01.14-10.17	■	
1.0 (CHYB)		Gasolina	FWD	999	55	75	01.14-10.17	■	
1.0 TSI (CHZB)		Gasolina	FWD	999	70	95	11.14-10.17	■	
1.0 TSI (CHZB)		Gasolina	FWD	999	70	95	11.14-10.17	■	
1.2 (CGPB)		Gasolina	FWD	1198	44	60	06.09-05.14	■	
1.2 (CGPB)		Gasolina	FWD	1198	44	60	06.09-05.14	■	
1.2 (CGPA)		Gasolina	FWD	1198	51	70	06.09-05.14	■	
1.2 (CGPA)		Gasolina	FWD	1198	51	70	06.09-05.14	■	
1.2		Gasolina	FWD	1198	55	75	08.11-02.18	■	
1.2		Gasolina	FWD	1198	55	75	08.11-02.18	■	
1.4 TDI (CUSA)		Diesel	FWD	1422	55	75	03.14-10.17	■	
1.4 TDI (CUSA)		Diesel	FWD	1422	55	75	03.14-10.17	■	
1.4 TDI (CYZB)		Diesel	FWD	1422	55	75	03.14-10.17	■	
1.4 TDI (CYZB)		Diesel	FWD	1422	55	75	03.14-10.17	■	
POLO V VIVO (6S1, 6S3) 02.10-							Hatchback (Supermini car-B Segment)		
1.4		Gasolina	FWD	1390	55	75	03.10-03.19	■	
1.4		Gasolina	FWD	1390	55	75	03.10-03.19	■	