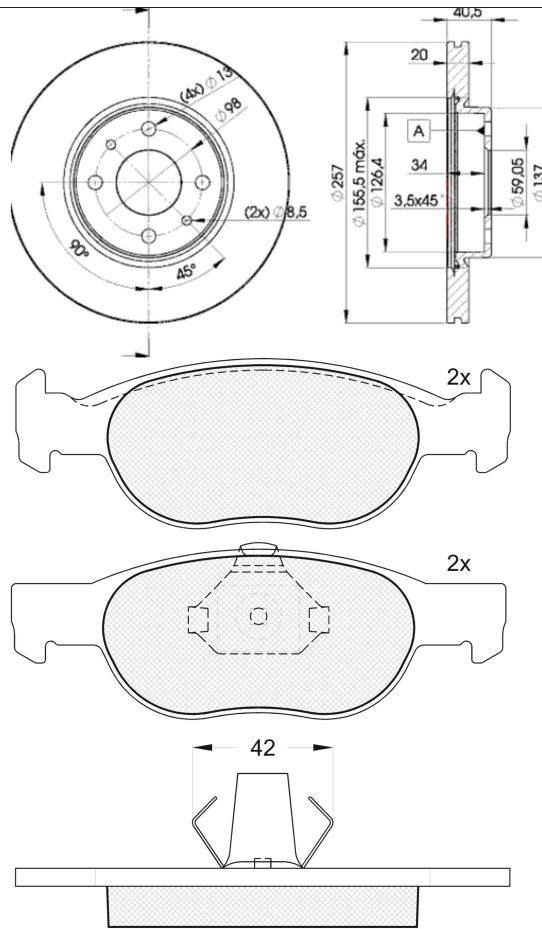


LISTA DE APLICACIONES - BUYERS GUIDE

31348-5056



Weight: 12.016



31348-5056



Ate - Teves

151.4x52x17.9
Ø257x20x40.5

WVA

23181

MAKE

FIAT



Trac.	CC	Kw	CV
-------	----	----	----



Front / Rear

FIAT

PUNTO II (188_) 09.99-07.12

Hatchback (Supermini car-B Segment)

1.9 DS 60 (188.031, .051, .231, .251) (188 A3.000)	-12/03	Diesel	FWD	1910	44	60	09.99-03.12	■
1.9 DS 60 (188.031, .051, .231, .251) (188 A3.000)	-12/03	Diesel	FWD	1910	44	60	09.99-03.12	■