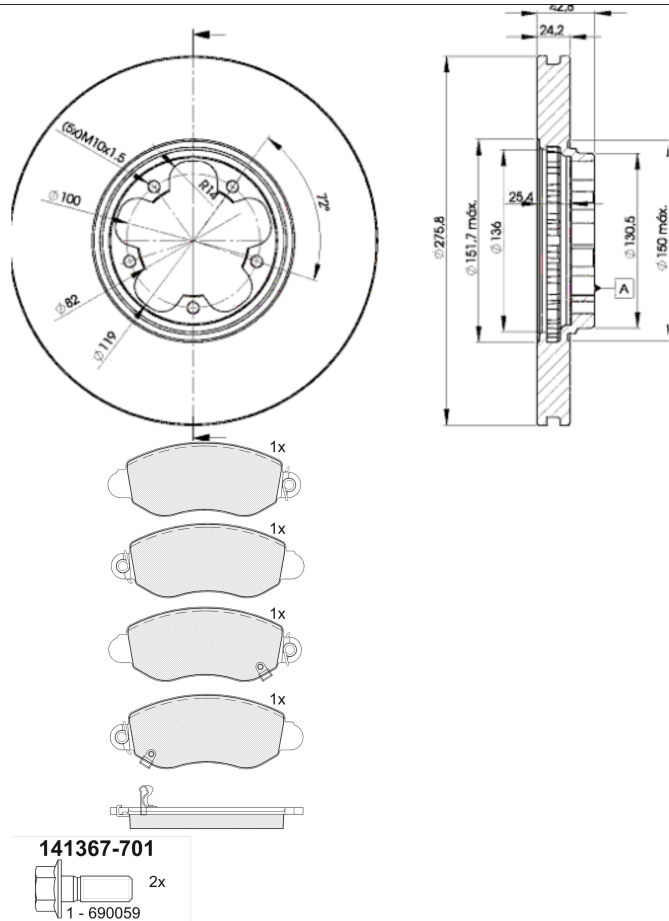


LISTA DE APLICACIONES - BUYERS GUIDE

31367-5612



Weight: 15.639



31367-5612



Bosch

168.5x65.17x18.5
Ø276x24.5x43.2

WVA
23577

MAKE
FORD



Trac.	CC	Kw	CV
-------	----	----	----



Front / Rear

FORD

TRANSIT IV (FD __, FB __, FS __, FZ __, FC __) 01.00-05.06

Bus (Minibus-M2-Segment)

Model	Fuel	Trac.	CC	Kw	CV	Period	Availability
2.3	Gasolina	RWD	2295	107	145	08.00-03.06	■
2.3	Gasolina	RWD	2295	107	145	08.00-03.06	■
2.4 TD	Diesel	RWD	2402	55	75	08.00-08.03	■
2.4 TD	Diesel	RWD	2402	55	75	08.00-08.03	■
2.4 TDdi	Diesel	FWD	2402	66	90	10.01-03.06	■
2.4 TDdi	Diesel	FWD	2402	66	90	10.01-03.06	■
2.4 TDdi	Diesel	RWD	2402	88	120	08.00-08.03	■
2.4 TDdi	Diesel	RWD	2402	88	120	08.00-08.03	■

TRANSIT IV (FM __, FN __) 01.00-05.06

Platform/Chassis (LCVs-N1 Segment)

2.4 TDdi	Diesel	RWD	2402	88	120	08.00-08.03	■
2.4 TDdi	Diesel	RWD	2402	88	120	08.00-08.03	■

TRANSIT IV (FA __) 01.00-05.06

Van (LCVs-N1 Segment)

2.3 (E5FC)	Gasolina	RWD	2295	105	143	03.01-03.06	■
2.3 (E5FC)	Gasolina	RWD	2295	105	143	03.01-03.06	■
2.3	Gasolina	RWD	2295	107	145	03.01-03.06	■
2.3	Gasolina	RWD	2295	107	145	03.01-03.06	■
2.4 TD (F4FA)	Diesel	FWD	2402	55	75	08.00-08.03	■
2.4 TD (F4FA)	Diesel	FWD	2402	55	75	08.00-08.03	■
2.4 TDdi	Diesel	RWD	2402	88	120	08.00-08.03	■
2.4 TDdi	Diesel	RWD	2402	88	120	08.00-08.03	■
2.4 TDE (DOFA)	Diesel	RWD	2402	92	125	07.01-05.06	■
2.4 TDE (DOFA)	Diesel	RWD	2402	92	125	07.01-05.06	■

LISTA DE APLICACIONES - BUYERS GUIDE