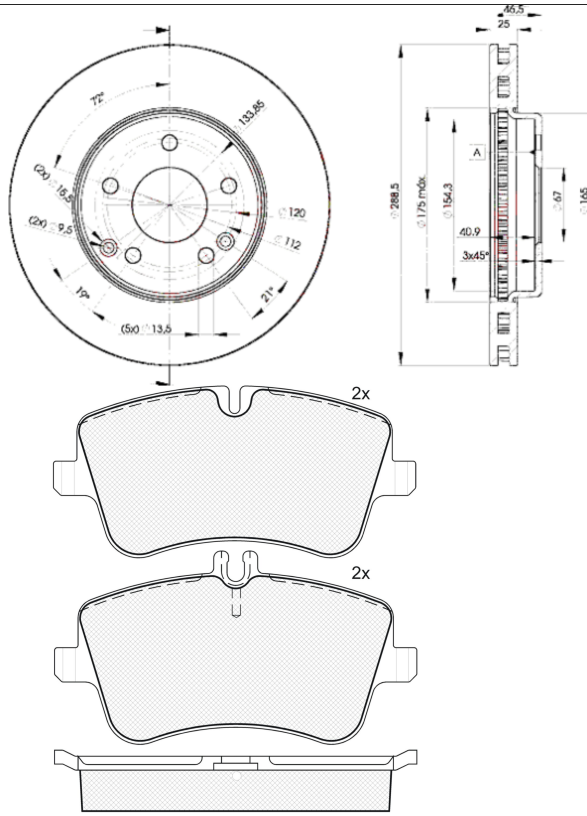


LISTA DE APLICACIONES - BUYERS GUIDE

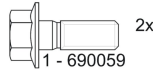
31369-0410



Weight: 15.723



181369-701



31369-0410



Lucas - Girling

131x62.2x19.8
Ø288.5x25x46.5

WVA

23144

23145

MAKE

MERCEDES-BENZ



Trac.	CC	Kw	CV
-------	----	----	----



Front / Rear

MERCEDES-BENZ

C-Class II (W203) 05.00-12.07							Saloon (Compact executive car-D Segment)		
C 180 Kompressor (203.046) (M 271.946)	Gasolina	RWD	1796	105	143	05.02-02.07	■		
C 180 Kompressor (203.046) (M 271.946)	Gasolina	RWD	1796	105	143	05.02-02.07	■		
C 200 Kompressor (203.045) (M 271.940)	Gasolina	RWD	1796	120	163	05.02-02.07	■		
C 200 Kompressor (203.045) (M 271.940)	Gasolina	RWD	1796	120	163	05.02-02.07	■		
C 200 CGI Kompressor (203.743) (M 271.942)	Gasolina	RWD	1796	125	170	07.03-02.07	■		
C 200 CGI Kompressor (203.743) (M 271.942)	Gasolina	RWD	1796	125	170	07.03-02.07	■		
C 230 Kompressor (203.040) (M 271.948)	Gasolina	RWD	1796	141	192	02.04-02.07	■		
C 230 Kompressor (203.040) (M 271.948)	Gasolina	RWD	1796	141	192	02.04-02.07	■		
C 180 (203.035) (M 111.951)	Gasolina	RWD	1998	95	129	10.00-05.02	■		
C 180 (203.035) (M 111.951)	Gasolina	RWD	1998	95	129	10.00-05.02	■		
C 200 Kompressor (203.045) (M 111.955)	Gasolina	RWD	1998	120	163	05.00-06.02	■		
C 200 Kompressor (203.045) (M 111.955)	Gasolina	RWD	1998	120	163	05.00-06.02	■		
C 230 (203.052) (M 272.920)	Gasolina	RWD	2496	150	204	01.05-02.07	■		
C 230 (203.052) (M 272.920)	Gasolina	RWD	2496	150	204	01.05-02.07	■		
C 200 CDI (203.004) (OM 611.962)	Diesel	RWD	2148	75	102	02.01-06.03	■		
C 200 CDI (203.004) (OM 611.962)	Diesel	RWD	2148	75	102	02.01-06.03	■		
C 200 CDI (203.004) (OM 611.962)	Diesel	RWD	2148	85	116	09.00-06.03	■		
C 200 CDI (203.004) (OM 611.962)	Diesel	RWD	2148	85	116	09.00-06.03	■		
C 200 CDI (203.007) (OM 646.962)	Diesel	RWD	2148	90	122	04.03-02.07	■		
C 200 CDI (203.007) (OM 646.962)	Diesel	RWD	2148	90	122	04.03-02.07	■		
C 200 CDI (203.007) (OM 646.963)	Diesel	RWD	2148	90	122	04.03-02.07	■		
C 200 CDI (203.007) (OM 646.963)	Diesel	RWD	2148	90	122	04.03-02.07	■		
C 220 CDI (203.006) (OM 611.962)	Diesel	RWD	2148	100	136	05.00-02.07	■		

LISTA DE APLICACIONES - BUYERS GUIDE

C 220 CDI (203.006) (OM 611.962)	Diesel	RWD	2148	100	136	05.00-02.07	■
C 220 CDI (203.006, 203.008) (OM 611.962)	Diesel	RWD	2148	105	143	05.00-02.07	■
C 220 CDI (203.006, 203.008) (OM 611.962)	Diesel	RWD	2148	105	143	05.00-02.07	■
C 220 CDI (203.006, 203.008) (OM 646.963)	Diesel	RWD	2148	105	143	05.00-02.07	■
C 220 CDI (203.006, 203.008) (OM 646.963)	Diesel	RWD	2148	105	143	05.00-02.07	■
C 220 CDI (203.008) (OM 646.963)	Diesel	RWD	2148	110	150	04.03-02.07	■
C 220 CDI (203.008) (OM 646.963)	Diesel	RWD	2148	110	150	04.03-02.07	■
C-Class II T-Model (S203) 03.01-08.07						Estate (Compact executive car-D Segment)	
C 180 Kompressor (203.246) (M 271.946)	Gasolina	RWD	1796	105	143	05.02-08.07	■
C 180 Kompressor (203.246) (M 271.946)	Gasolina	RWD	1796	105	143	05.02-08.07	■
C 200 Kompressor (203.245) (M 271.940)	Gasolina	RWD	1796	120	163	05.02-08.07	■
C 200 Kompressor (203.245) (M 271.940)	Gasolina	RWD	1796	120	163	05.02-08.07	■
C 200 CGI Kompressor (203.743) (M 271.942)	Gasolina	RWD	1796	125	170	07.03-08.07	■
C 200 CGI Kompressor (203.743) (M 271.942)	Gasolina	RWD	1796	125	170	07.03-08.07	■
C 180 (203.235) (M 111.951)	Gasolina	RWD	1998	95	129	03.01-05.02	■
C 180 (203.235) (M 111.951)	Gasolina	RWD	1998	95	129	03.01-05.02	■
C 200 Kompressor (203.245) (M 111.955)	Gasolina	RWD	1998	120	163	03.01-05.02	■
C 200 Kompressor (203.245) (M 111.955)	Gasolina	RWD	1998	120	163	03.01-05.02	■
C 200 CDI (203.204) (OM 611.962)	Diesel	RWD	2148	75	102	03.01-08.07	■
C 200 CDI (203.204) (OM 611.962)	Diesel	RWD	2148	75	102	03.01-08.07	■
C 200 CDI (203.204) (OM 646.962)	Diesel	RWD	2148	75	102	03.01-08.07	■
C 200 CDI (203.204) (OM 646.962)	Diesel	RWD	2148	75	102	03.01-08.07	■
C 200 CDI (203.204) (OM 611.962)	Diesel	RWD	2148	85	116	03.01-08.07	■
C 200 CDI (203.204) (OM 611.962)	Diesel	RWD	2148	85	116	03.01-08.07	■
C 200 CDI (203.207) (OM 646.962)	Diesel	RWD	2148	90	122	04.03-08.07	■
C 200 CDI (203.207) (OM 646.962)	Diesel	RWD	2148	90	122	04.03-08.07	■
C 200 CDI (203.207) (OM 646.963)	Diesel	RWD	2148	90	122	04.03-08.07	■
C 200 CDI (203.207) (OM 646.963)	Diesel	RWD	2148	90	122	04.03-08.07	■
C 220 CDI (203.206, 203.208) (OM 611.962)	Diesel	RWD	2148	105	143	03.01-08.07	■
C 220 CDI (203.206, 203.208) (OM 611.962)	Diesel	RWD	2148	105	143	03.01-08.07	■
C 220 CDI (203.208) (OM 646.963)	Diesel	RWD	2148	110	150	02.04-08.07	■
C 220 CDI (203.208) (OM 646.963)	Diesel	RWD	2148	110	150	02.04-08.07	■
CLK-Class II (C209) 05.02-12.13						Coupe (Executive car-E Segment)	
CLK 200 Kompressor (209.442) (M 271.940)	Gasolina	RWD	1796	120	163	09.02-05.09	■
CLK 200 Kompressor (209.442) (M 271.940)	Gasolina	RWD	1796	120	163	09.02-05.09	■
CLK 200 CGI (209.343) (M 271.942)	Gasolina	RWD	1796	125	170	07.03-05.09	■
CLK 200 CGI (209.343) (M 271.942)	Gasolina	RWD	1796	125	170	07.03-05.09	■
CLK 220 CDI (209.308) (OM 646.966)	Diesel	RWD	2148	110	150	01.05-05.09	■
CLK 220 CDI (209.308) (OM 646.966)	Diesel	RWD	2148	110	150	01.05-05.09	■
SLK-Class II (R171) 03.04-12.15						Convertible (Sports car-S Segment)	
200 Kompressor (171.445) (M 271.944)	Gasolina	RWD	1796	120	163	03.04-02.11	■
200 Kompressor (171.445) (M 271.944)	Gasolina	RWD	1796	120	163	03.04-02.11	■