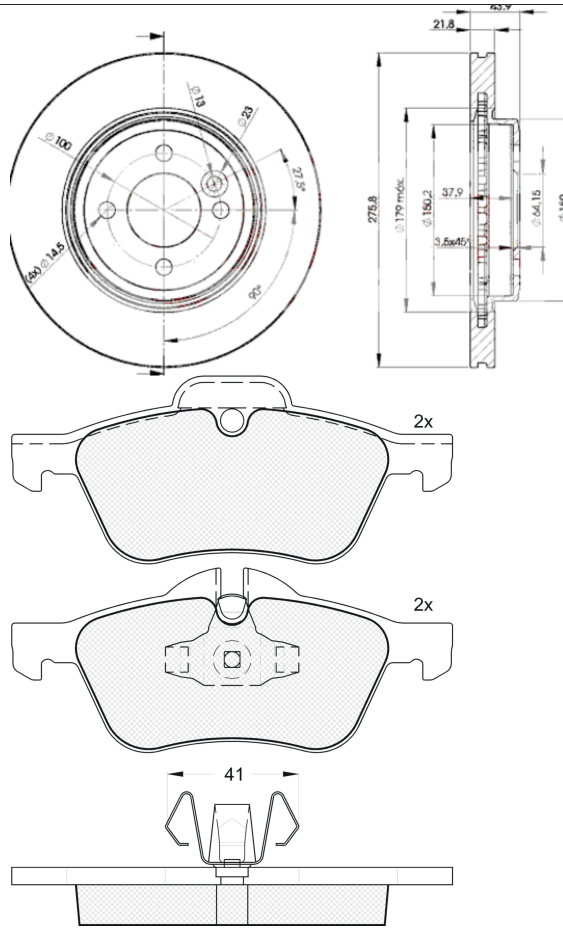


# LISTA DE APLICACIONES - BUYERS GUIDE

## 31434-2891



Weight: 12.698



## 31434-2891



Ate - Teves

140.2x58.7x18.3  
Ø276x22x44.2

**WVA**  
23281  
23282

**MAKE**  
MINI



Trac.	CC	Kw	CV
-------	----	----	----



Front / Rear

### MINI

#### MINI (R52) 04.04-07.08

#### Convertible (Supermini car-B Segment)

Model	Trac.	CC	Kw	CV	Year Range	Icon
One (W10 B16 A)	FWD	1598	66	90	07.04-11.07	■
One (W10 B16 A)	FWD	1598	66	90	07.04-11.07	■
Cooper (W10 B16 A)	FWD	1598	85	116	04.04-07.08	■
Cooper (W10 B16 A)	FWD	1598	85	116	04.04-07.08	■
Cooper S (W11 B16 A)	FWD	1598	125	170	07.04-07.08	■
Cooper S (W11 B16 A)	FWD	1598	125	170	07.04-07.08	■
John Cooper Works (W11 B16 A)	FWD	1598	155	210	07.04-11.07	■
John Cooper Works (W11 B16 A)	FWD	1598	155	210	07.04-11.07	■

#### MINI (R50, R53) 06.01-09.06

#### Hatchback (Supermini car-B Segment)

Model	Trac.	CC	Kw	CV	Year Range	Icon
One (W10 B14 A)	FWD	1398	55	75	04.03-09.06	■
One (W10 B14 A)	FWD	1398	55	75	04.03-09.06	■
One (W10 B16 A)	FWD	1598	66	90	06.01-09.06	■
One (W10 B16 A)	FWD	1598	66	90	06.01-09.06	■
Cooper (W10 B16 A)	FWD	1598	85	116	06.01-09.06	■
Cooper (W10 B16 A)	FWD	1598	85	116	06.01-09.06	■
Cooper S (W11 B16 A)	FWD	1598	120	163	03.02-09.06	■
Cooper S (W11 B16 A)	FWD	1598	120	163	03.02-09.06	■
Cooper S (W11 B16 A)	FWD	1598	125	170	07.04-09.06	■
Cooper S (W11 B16 A)	FWD	1598	125	170	07.04-09.06	■
Works (W11 B16 A)	FWD	1598	155	210	11.03-09.06	■
Works (W11 B16 A)	FWD	1598	155	210	11.03-09.06	■
One D (1ND)	FWD	1364	55	75	06.03-09.06	■

## LISTA DE APLICACIONES - BUYERS GUIDE

One D (1ND)	Diesel	FWD	1364	55	75	06.03-09.06	■
One D (W17 D14 (1ND))	Diesel	FWD	1364	65	88	06.03-09.06	■
One D (W17 D14 (1ND))	Diesel	FWD	1364	65	88	06.03-09.06	■