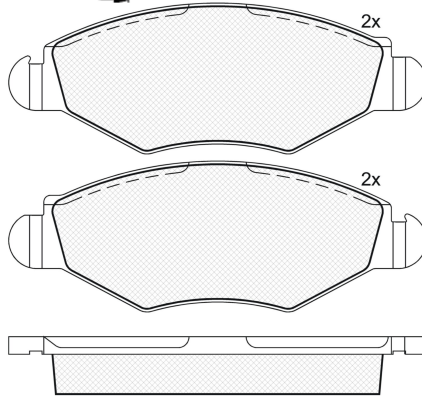
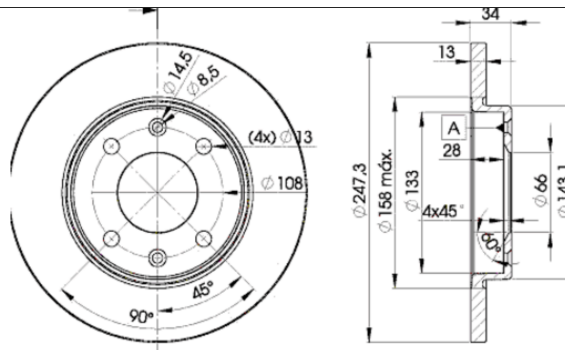


LISTA DE APLICACIONES - BUYERS GUIDE

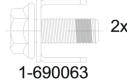
31439-4298



Weight: 9.625



181439-702



1-Ref. 640121 E

31439-4298



Bosch

131x47.3x18
Ø247x13x34.2

WVA
23597

MAKE
PEUGEOT



Trac.	CC	Kw	CV
-------	----	----	----



Front / Rear

PEUGEOT

								Hatchback (Supermini car-B Segment)	
206 (2A/C) 08.98-									
1.0	-12/06	Gasolina	FWD	999	45	61	09.02-02.07	■	
1.0	-12/06	Gasolina	FWD	999	45	61	09.02-02.07	■	
1.1 i (HFX (TU1JP))	01/00-	Gasolina	FWD	1124	44	60	09.98-02.07	■	
1.1 i (HFX (TU1JP))	01/00-	Gasolina	FWD	1124	44	60	09.98-02.07	■	
1.1 i (HFZ (TU1JP))	01/00-	Gasolina	FWD	1124	44	60	09.98-02.07	■	
1.1 i (HFZ (TU1JP))	01/00-	Gasolina	FWD	1124	44	60	09.98-02.07	■	
1.4 i (KFW (TU3A))	01/00-	Gasolina	FWD	1360	55	75	09.98-12.12	■	
1.4 i (KFW (TU3A))	01/00-	Gasolina	FWD	1360	55	75	09.98-12.12	■	
1.4 i (KFW (TU3JP))	01/00-	Gasolina	FWD	1360	55	75	09.98-12.12	■	
1.4 i (KFW (TU3JP))	01/00-	Gasolina	FWD	1360	55	75	09.98-12.12	■	
1.4 i (KFX (TU3JP))	01/00-	Gasolina	FWD	1360	55	75	09.98-12.12	■	
1.4 i (KFX (TU3JP))	01/00-	Gasolina	FWD	1360	55	75	09.98-12.12	■	
1.4 16V (KFU (ET3J4))	-12/06	Gasolina	FWD	1360	65	88	10.03-02.08	■	
1.4 16V (KFU (ET3J4))	-12/06	Gasolina	FWD	1360	65	88	10.03-02.08	■	
1.0	-12/06	Gasol./el éc.	FWD	999	48	65	09.02-02.07	■	
1.0	-12/06	Gasol./el éc.	FWD	999	48	65	09.02-02.07	■	
1.4 HDi eco 70 (8HX (DV4TD))	-12/06	Diesel	FWD	1398	50	68	09.01-04.09	■	
1.4 HDi eco 70 (8HX (DV4TD))	-12/06	Diesel	FWD	1398	50	68	09.01-04.09	■	
1.4 HDi eco 70 (8HZ (DV4TD))	-12/06	Diesel	FWD	1398	50	68	09.01-04.09	■	
1.4 HDi eco 70 (8HZ (DV4TD))	-12/06	Diesel	FWD	1398	50	68	09.01-04.09	■	
206 03.07-								Saloon (Supermini car-B Segment)	
1.4 (KFV (TU3A))		Gasolina	FWD	1360	55	75	03.07-	■	

LISTA DE APLICACIONES - BUYERS GUIDE

1.4 (KfV (TU3A))		Gasolina	FWD	1360	55	75	03.07-	■	
1.4 (KfW (TU3JP))		Gasolina	FWD	1360	55	75	03.07-	■	
1.4 (KfW (TU3JP))		Gasolina	FWD	1360	55	75	03.07-	■	
206 SW (2E/K) 07.02-					Estate (Supermini car-B Segment)				
1.1 (HfX (TU1JP))	-12/06	Gasolina	FWD	1124	44	60	07.02-02.07	■	
1.1 (HfX (TU1JP))	-12/06	Gasolina	FWD	1124	44	60	07.02-02.07	■	
1.4 (KfV (TU3A))	-12/06	Gasolina	FWD	1360	55	75	07.02-02.07	■	
1.4 (KfV (TU3A))	-12/06	Gasolina	FWD	1360	55	75	07.02-02.07	■	
1.4 (KfW (TU3JP))	-12/06	Gasolina	FWD	1360	55	75	07.02-02.07	■	
1.4 (KfW (TU3JP))	-12/06	Gasolina	FWD	1360	55	75	07.02-02.07	■	
1.4 16V (KfU (ET3J4))	-12/06	Gasolina	FWD	1360	65	88	10.03-	■	
1.4 16V (KfU (ET3J4))	-12/06	Gasolina	FWD	1360	65	88	10.03-	■	
1.4 HDi (8HX (DV4TD))	-12/06	Diesel	FWD	1398	50	68	07.02-02.07	■	
1.4 HDi (8HX (DV4TD))	-12/06	Diesel	FWD	1398	50	68	07.02-02.07	■	