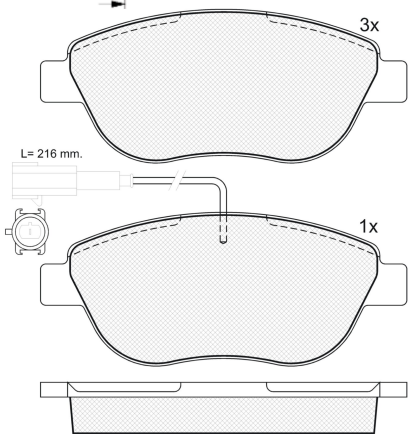
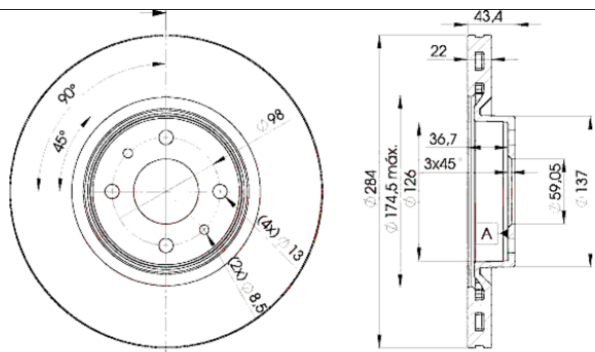


LISTA DE APLICACIONES - BUYERS GUIDE

31440-0356



Weight: 14.858



181440-701



31440-0356



Bosch

136.7x57.34x19

Ø284x22x43.4

WVA

23708

MAKE

ABARTH

CHRYSLER

FIAT

LANCIA



Trac.	CC	Kw	CV
-------	----	----	----



Front / Rear

ABARTH

500 / 595 / 695 01.08-

Hatchback (City car-A Segment)

Model	Year	Fuel	Drive	CC	Kw	CV	Period	Position
1.4 (312.AXD1A) (312 A1.000)		Gasolina	FWD	1368	99	135	08.08-	■
1.4 (312.AXD1A) (312 A1.000)		Gasolina	FWD	1368	99	135	08.08-	■
1.4 (312.AXF1A, 312.AXF11, 312.AXD1A) (312 A3.000)		Gasolina	FWD	1368	103	140	05.10-	■
1.4 (312.AXF1A, 312.AXF11, 312.AXD1A) (312 A3.000)		Gasolina	FWD	1368	103	140	05.10-	■
1.4 (312.AXT1A)		Gasolina	FWD	1368	140	190	08.08-	■
1.4 (312.AXT1A)		Gasolina	FWD	1368	140	190	08.08-	■

CHRYSLER

DELTA 08.11-

Hatchback (Compact car-C Segment)

Model	Year	Fuel	Drive	CC	Kw	CV	Period	Position
1.4 (198 A4.000)		Gasolina	FWD	1368	88	120	08.11-	■
1.4 (198 A4.000)		Gasolina	FWD	1368	88	120	08.11-	■
1.6 D Multijet (198 A2.000)		Diesel	FWD	1598	88	120	08.11-	■
1.6 D Multijet (198 A2.000)		Diesel	FWD	1598	88	120	08.11-	■

FIAT

BRAVO II / RITMO III (198_) 11.06-

Hatchback (Compact car-C Segment)

Model	Year	Fuel	Drive	CC	Kw	CV	Period	Position
1.9 D Multijet (198AXB1A) (192 A8.000)		Diesel	FWD	1910	88	120	04.07-12.14	■
1.9 D Multijet (198AXB1A) (192 A8.000)		Diesel	FWD	1910	88	120	04.07-12.14	■

STILO (192_) 10.01-08.08

Estate Van (Compact car-C Segment)

Model	Year	Fuel	Drive	CC	Kw	CV	Period	Position
1.9 JTD (192DXF1A) (192 A3.000)		Diesel	FWD	1910	59	80	10.01-08.05	■
1.9 JTD (192DXF1A) (192 A3.000)		Diesel	FWD	1910	59	80	10.01-08.05	■
1.9 JTD (192DXE1A) (192 A1.000)		Diesel	FWD	1910	85	116	10.01-08.05	■

LISTA DE APLICACIONES - BUYERS GUIDE

1.9 JTD (192DXE1A) (192 A1.000)		Diesel	FWD	1910	85	116	10.01-08.05	■	
1.9 JTD (192DXS1A) (192 A8.000)		Diesel	FWD	1910	88	120	09.05-08.08	■	
1.9 JTD (192DXS1A) (192 A8.000)		Diesel	FWD	1910	88	120	09.05-08.08	■	
STILO (192_) 10.01-11.10							Hatchback (Compact car-C Segment)		
1.8 16V (192AXC1A, 192BXC1A) (192 A4.000)		Gasolina	FWD	1747	98	133	10.01-04.07	■	
1.8 16V (192AXC1A, 192BXC1A) (192 A4.000)		Gasolina	FWD	1747	98	133	10.01-04.07	■	
1.9 JTD (192_XF1A) (192 A3.000)		Diesel	FWD	1910	59	80	02.02-09.05	■	
1.9 JTD (192_XF1A) (192 A3.000)		Diesel	FWD	1910	59	80	02.02-09.05	■	
1.9 JTD (192AXS1B, 192BXS1B) (192 B5.000)		Diesel	FWD	1910	66	90	09.04-11.06	■	
1.9 JTD (192AXS1B, 192BXS1B) (192 B5.000)		Diesel	FWD	1910	66	90	09.04-11.06	■	
1.9 JTD (192_XE1A) (192 A1.000)		Diesel	FWD	1910	85	115	10.01-11.06	■	
1.9 JTD (192_XE1A) (192 A1.000)		Diesel	FWD	1910	85	115	10.01-11.06	■	
1.9 JTD (192_XE1A) (937 A7.000)		Diesel	FWD	1910	85	115	10.01-11.06	■	
1.9 JTD (192_XE1A) (937 A7.000)		Diesel	FWD	1910	85	115	10.01-11.06	■	
1.9 D Multijet (192 A8.000)		Diesel	FWD	1910	88	120	09.05-11.06	■	
1.9 D Multijet (192 A8.000)		Diesel	FWD	1910	88	120	09.05-11.06	■	
STILO Multi Wagon (192_) 01.03-08.08							Estate (Compact car-C Segment)		
1.8 16V (192 A4.000)	-12/07	Gasolina	FWD	1747	98	133	01.03-08.08	■	
1.8 16V (192 A4.000)	-12/07	Gasolina	FWD	1747	98	133	01.03-08.08	■	
1.9 JTD (192 A3.000)	-12/07	Diesel	FWD	1910	59	80	01.03-08.05	■	
1.9 JTD (192 A3.000)	-12/07	Diesel	FWD	1910	59	80	01.03-08.05	■	
1.9 D Multijet (192 A9.000)	-12/07	Diesel	FWD	1910	74	100	09.05-08.08	■	
1.9 D Multijet (192 A9.000)	-12/07	Diesel	FWD	1910	74	100	09.05-08.08	■	
1.9 JTD (192 A1.000)	-12/07	Diesel	FWD	1910	85	115	01.03-08.08	■	
1.9 JTD (192 A1.000)	-12/07	Diesel	FWD	1910	85	115	01.03-08.08	■	
1.9 JTD (937 A7.000)	-12/07	Diesel	FWD	1910	85	115	01.03-08.08	■	
1.9 JTD (937 A7.000)	-12/07	Diesel	FWD	1910	85	115	01.03-08.08	■	
1.9 D Multijet (192 A8.000)	-12/07	Diesel	FWD	1910	88	120	09.05-08.08	■	
1.9 D Multijet (192 A8.000)	-12/07	Diesel	FWD	1910	88	120	09.05-08.08	■	
LANCIA									
DELTA III (844_) 08.08-08.14							Hatchback (Compact car-C Segment)		
1.4 (844.AXA1A) (198 A4.000)		Gasolina	FWD	1368	88	120	09.08-08.14	■	
1.4 (844.AXA1A) (198 A4.000)		Gasolina	FWD	1368	88	120	09.08-08.14	■	
1.4 Bifuel (844.AXA1A) (198 A4.000)		Gasol./Gas (LPG)	FWD	1368	88	120	07.11-08.14	■	
1.4 Bifuel (844.AXA1A) (198 A4.000)		Gasol./Gas (LPG)	FWD	1368	88	120	07.11-08.14	■	
1.6 D Multijet (844.AXC11, 844.AXC1A) (198 A2.000)		Diesel	FWD	1598	88	120	09.08-08.14	■	
1.6 D Multijet (844.AXC11, 844.AXC1A) (198 A2.000)		Diesel	FWD	1598	88	120	09.08-08.14	■	