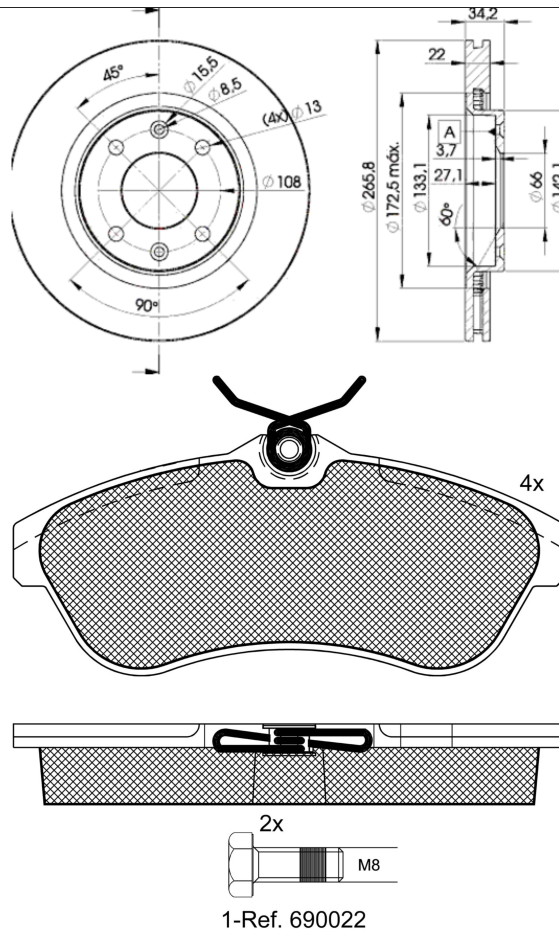


# LISTA DE APLICACIONES - BUYERS GUIDE

## 31451-4750



Weight: 12.234



1-Ref. 690022

## 31451-4750



Lucas - Girling

128.9x56.3x19.3  
Ø266x22x34

**WVA**  
23409

**MAKE**  
CITROËN



Trac.	CC	Kw	CV
-------	----	----	----



Front / Rear

### CITROËN

							Hatchback (Supermini car-B Segment)		
<b>C2 (JM_) 07.03-09.17</b>									
1.6 (NFU (TU5JP4))		Gasolina	FWD	1587	80	109	07.03-10.10	■	
1.6 (NFU (TU5JP4))		Gasolina	FWD	1587	80	109	07.03-10.10	■	
1.6 VTS (NFS (TU5JP4S))		Gasolina	FWD	1587	90	122	10.04-12.09	■	
1.6 VTS (NFS (TU5JP4S))		Gasolina	FWD	1587	90	122	10.04-12.09	■	
<b>C3 (FC_, FN_) 02.02-</b>							Hatchback (Supermini car-B Segment)		
1.6 16V (NFU (TU5JP4))	-12/09	Gasolina	FWD	1587	80	109	02.02-08.10	■	
1.6 16V (NFU (TU5JP4))	-12/09	Gasolina	FWD	1587	80	109	02.02-08.10	■	
1.4 16V HDi (8HY (DV4TED4))	-12/09	Diesel	FWD	1398	66	90	02.02-06.08	■	
1.4 16V HDi (8HY (DV4TED4))	-12/09	Diesel	FWD	1398	66	90	02.02-06.08	■	
1.6 16V HDi (9HX (DV6ATED4))	-12/09	Diesel	FWD	1560	66	90	10.05-12.09	■	
1.6 16V HDi (9HX (DV6ATED4))	-12/09	Diesel	FWD	1560	66	90	10.05-12.09	■	
1.6 16V HDi (9HZ (DV6TED4))	-12/09	Diesel	FWD	1560	80	109	09.05-12.09	■	
1.6 16V HDi (9HZ (DV6TED4))	-12/09	Diesel	FWD	1560	80	109	09.05-12.09	■	
<b>C3 Pluriel (HB_) 05.03-</b>							Convertible (Supermini car-B Segment)		
1.4 (KFV (TU3A))	-12/09	Gasolina	FWD	1360	54	73	05.03-	■	
1.4 (KFV (TU3A))	-12/09	Gasolina	FWD	1360	54	73	05.03-	■	
1.4 (KFV (TU3JP))	-12/09	Gasolina	FWD	1360	54	73	05.03-	■	
1.4 (KFV (TU3JP))	-12/09	Gasolina	FWD	1360	54	73	05.03-	■	
1.4 (KFV (TU3A))	-12/09	Gasolina	FWD	1360	55	75	07.03-	■	
1.4 (KFV (TU3A))	-12/09	Gasolina	FWD	1360	55	75	07.03-	■	
1.6 (NFU (TU5JP4))	-12/09	Gasolina	FWD	1587	80	109	05.03-	■	
1.6 (NFU (TU5JP4))	-12/09	Gasolina	FWD	1587	80	109	05.03-	■	

## LISTA DE APLICACIONES - BUYERS GUIDE

1.4 Hybrid	-12/09	Gasol./el éc.	FWD	1360	54	73	05.05-	■
1.4 Hybrid	-12/09	Gasol./el éc.	FWD	1360	54	73	05.05-	■
1.4 HDi (8HX (DV4TD))	-12/09	Diesel	FWD	1398	50	68	04.04-	■
1.4 HDi (8HX (DV4TD))	-12/09	Diesel	FWD	1398	50	68	04.04-	■