

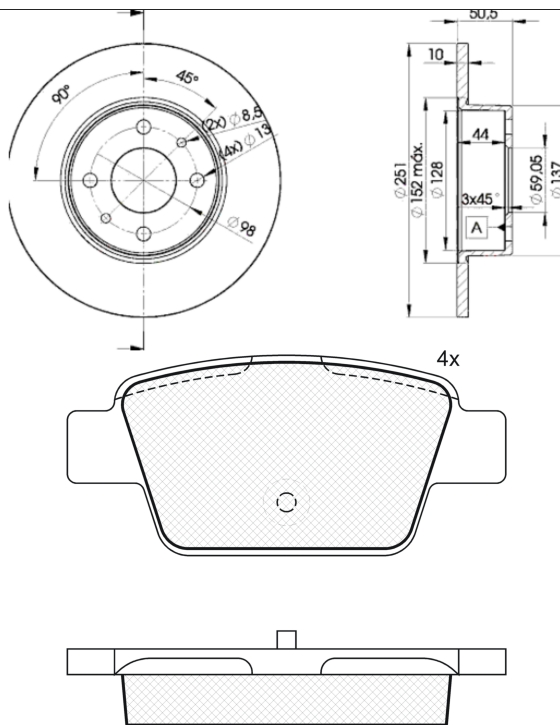
LISTA DE APLICACIONES - BUYERS GUIDE

31503-4070



8 424073 104335

Weight: 8.690



181503-701



31503-4070



Bosch

94.8x42.9x16.3

Ø251x10x50.5

WVA

23714

MAKE

CHRYSLER

FIAT

LANCIA



Trac.	CC	Kw	CV
-------	----	----	----



Front / Rear

CHRYSLER

							Hatchback (Compact car-C Segment)	
DELTA 08.11-								
1.4 (198 A4.000)		Gasolina	FWD	1368	88	120	08.11-	■
1.4 (198 A4.000)		Gasolina	FWD	1368	88	120	08.11-	■
1.6 D Multijet (198 A2.000)		Diesel	FWD	1598	88	120	08.11-	■
1.6 D Multijet (198 A2.000)		Diesel	FWD	1598	88	120	08.11-	■
2.0 D Multijet (198 A5.000)		Diesel	FWD	1956	121	165	08.11-	■
2.0 D Multijet (198 A5.000)		Diesel	FWD	1956	121	165	08.11-	■

FIAT

							Hatchback (Compact car-C Segment)	
BRAVO II / RITMO III (198_) 11.06-								
1.4 (198AXA1B) (192 B2.000)		Gasolina	FWD	1368	66	90	04.07-12.14	■
1.4 (198AXA1B) (192 B2.000)		Gasolina	FWD	1368	66	90	04.07-12.14	■
1.4 T-Jet (198AXF1B) (198 A1.000)		Gasolina	FWD	1368	110	150	09.07-12.14	■
1.4 T-Jet (198AXF1B) (198 A1.000)		Gasolina	FWD	1368	110	150	09.07-12.14	■
1.4 LPG (198AXA1B) (192 B2.000)		Gasol./G as (LPG)	FWD	1368	66	90	12.08-12.14	■
1.4 LPG (198AXA1B) (192 B2.000)		Gasol./G as (LPG)	FWD	1368	66	90	12.08-12.14	■
1.9 D Multijet (198AXB1A) (192 A8.000)		Diesel	FWD	1910	88	120	04.07-12.14	■
1.9 D Multijet (198AXB1A) (192 A8.000)		Diesel	FWD	1910	88	120	04.07-12.14	■
1.9 D Multijet (198AXC1B) (937 A5.000)		Diesel	FWD	1910	110	150	04.07-12.14	■
1.9 D Multijet (198AXC1B) (937 A5.000)		Diesel	FWD	1910	110	150	04.07-12.14	■
MULTIPLA (186_) 04.99-06.10								
							MPV (Compact MPV-M1 Segment)	
1.6 16V (186AGB1A) (182 B6.000)		Gasolina	FWD	1596	70	95	04.02-06.10	■
1.6 16V (186AGB1A) (182 B6.000)		Gasolina	FWD	1596	70	95	04.02-06.10	■

LISTA DE APLICACIONES - BUYERS GUIDE

1.6 (186AXC1A, 186BMC1A, 186BXC1A) (182 B6.000)	-12/00	Gasolina	FWD	1596	76	103	09.00-06.10	■	
1.6 (186AXC1A, 186BMC1A, 186BXC1A) (182 B6.000)	-12/00	Gasolina	FWD	1596	76	103	09.00-06.10	■	
1.6 16V GPL (182 B6.000)		Gasol./Gas (LPG)	FWD	1596	76	103	10.01-06.10	■	
1.6 16V GPL (182 B6.000)		Gasol./Gas (LPG)	FWD	1596	76	103	10.01-06.10	■	
1.6 Blupower (186AMA1A) (186 A3.000)		Gasol./Gas (CNG)	FWD	1581	70	95	04.99-09.04	■	
1.6 Blupower (186AMA1A) (186 A3.000)		Gasol./Gas (CNG)	FWD	1581	70	95	04.99-09.04	■	
1.6 16V Bipower (186AXC1A) (182 B6.000)	01/02-	Gasol./Gas (CNG)	FWD	1596	76	103	10.01-08.05	■	
1.6 16V Bipower (186AXC1A) (182 B6.000)	01/02-	Gasol./Gas (CNG)	FWD	1596	76	103	10.01-08.05	■	
1.9 JTD 105 (186AXB1A) (182 B4.000)		Diesel	FWD	1910	77	105	04.99-08.00	■	
1.9 JTD 105 (186AXB1A) (182 B4.000)		Diesel	FWD	1910	77	105	04.99-08.00	■	
1.9 JTD 110 (186 A6.000)		Diesel	FWD	1910	81	110	03.01-07.02	■	
1.9 JTD 110 (186 A6.000)		Diesel	FWD	1910	81	110	03.01-07.02	■	
1.9 JTD 115 (186 A8.000)		Diesel	FWD	1910	85	115	07.02-06.10	■	
1.9 JTD 115 (186 A8.000)		Diesel	FWD	1910	85	115	07.02-06.10	■	
1.9 JTD (186AXE1A) (186 A9.000)		Diesel	FWD	1910	88	120	04.02-06.10	■	
1.9 JTD (186AXE1A) (186 A9.000)		Diesel	FWD	1910	88	120	04.02-06.10	■	
STILO (192_) 10.01-08.08							Estate Van (Compact car-C Segment)		
1.4 (192DXH1B) (843 A1.000)		Gasolina	FWD	1368	70	95	01.04-08.08	■	
1.4 (192DXH1B) (843 A1.000)		Gasolina	FWD	1368	70	95	01.04-08.08	■	
1.6 (192DXB1A) (182 B6.000)		Gasolina	FWD	1596	100	136	04.05-08.08	■	
1.6 (192DXB1A) (182 B6.000)		Gasolina	FWD	1596	100	136	04.05-08.08	■	
1.9 JTD (192DXF1A) (192 A3.000)		Diesel	FWD	1910	59	80	10.01-08.05	■	
1.9 JTD (192DXF1A) (192 A3.000)		Diesel	FWD	1910	59	80	10.01-08.05	■	
1.9 JTD (192DXE1A) (192 A1.000)		Diesel	FWD	1910	85	116	10.01-08.05	■	
1.9 JTD (192DXE1A) (192 A1.000)		Diesel	FWD	1910	85	116	10.01-08.05	■	
1.9 JTD (192DXS1A) (192 A8.000)		Diesel	FWD	1910	88	120	09.05-08.08	■	
1.9 JTD (192DXS1A) (192 A8.000)		Diesel	FWD	1910	88	120	09.05-08.08	■	
1.9 JTD (192DXG1B) (937 A4.000)		Diesel	FWD	1910	93	126	09.03-08.05	■	
1.9 JTD (192DXG1B) (937 A4.000)		Diesel	FWD	1910	93	126	09.03-08.05	■	
1.9 JTD (192DXG1B) (192 B1.000)		Diesel	FWD	1910	100	136	02.04-08.08	■	
1.9 JTD (192DXG1B) (192 B1.000)		Diesel	FWD	1910	100	136	02.04-08.08	■	
1.9 JTD (192DXG1B) (192 A5.000)		Diesel	FWD	1910	103	140	09.03-08.05	■	
1.9 JTD (192DXG1B) (192 A5.000)		Diesel	FWD	1910	103	140	09.03-08.05	■	
1.9 JTD (192DXT1B) (937 A5.000)		Diesel	FWD	1910	110	150	09.05-08.08	■	
1.9 JTD (192DXT1B) (937 A5.000)		Diesel	FWD	1910	110	150	09.05-08.08	■	
STILO (192_) 10.01-11.10							Hatchback (Compact car-C Segment)		
1.2 16V (192_XA1B) (188 A5.000)		Gasolina	FWD	1242	59	80	11.01-12.03	■	
1.2 16V (192_XA1B) (188 A5.000)		Gasolina	FWD	1242	59	80	11.01-12.03	■	
1.4 16V (192 B2.000)		Gasolina	FWD	1368	66	90	03.05-11.06	■	
1.4 16V (192 B2.000)		Gasolina	FWD	1368	66	90	03.05-11.06	■	
1.4 16V (192AXH1B, 192BXH1B) (843 A1.000)		Gasolina	FWD	1368	70	95	10.03-12.06	■	
1.4 16V (192AXH1B, 192BXH1B) (843 A1.000)		Gasolina	FWD	1368	70	95	10.03-12.06	■	
1.6 16V (192_XB1A) (182 B6.000)		Gasolina	FWD	1596	76	103	10.01-11.06	■	
1.6 16V (192_XB1A) (182 B6.000)		Gasolina	FWD	1596	76	103	10.01-11.06	■	

LISTA DE APLICACIONES - BUYERS GUIDE

1.6 (182 B6.000)		Gasolina	FWD	1596	100	136	04.05-11.06	■	
1.6 (182 B6.000)		Gasolina	FWD	1596	100	136	04.05-11.06	■	
1.8 16V (192AXC1A, 192BXC1A) (192 A4.000)		Gasolina	FWD	1747	98	133	10.01-04.07	■	
1.8 16V (192AXC1A, 192BXC1A) (192 A4.000)		Gasolina	FWD	1747	98	133	10.01-04.07	■	
1.8		Gasolina	FWD	1796	76	103	01.04-11.06	■	
1.8		Gasolina	FWD	1796	76	103	01.04-11.06	■	
1.8 Flex		Gasolina	FWD	1796	84	114	09.05-11.10	■	
1.8 Flex		Gasolina	FWD	1796	84	114	09.05-11.10	■	
1.8		Gasolina	FWD	1796	90	122	01.04-11.06	■	
1.8		Gasolina	FWD	1796	90	122	01.04-11.06	■	
2.4 20V		Gasolina	FWD	2446	123	167	01.04-11.06	■	
2.4 20V		Gasolina	FWD	2446	123	167	01.04-11.06	■	
2.4 20V (192_XD1A, 192AXD12) (192 A2.000)		Gasolina	FWD	2446	125	170	10.01-04.07	■	
2.4 20V (192_XD1A, 192AXD12) (192 A2.000)		Gasolina	FWD	2446	125	170	10.01-04.07	■	
1.9 JTD (192_XF1A) (192 A3.000)		Diesel	FWD	1910	59	80	02.02-09.05	■	
1.9 JTD (192_XF1A) (192 A3.000)		Diesel	FWD	1910	59	80	02.02-09.05	■	
1.9 JTD (192AXS1B, 192BXS1B) (192 B5.000)		Diesel	FWD	1910	66	90	09.04-11.06	■	
1.9 JTD (192AXS1B, 192BXS1B) (192 B5.000)		Diesel	FWD	1910	66	90	09.04-11.06	■	
1.9 JTD (192_XE1A) (192 A1.000)		Diesel	FWD	1910	85	115	10.01-11.06	■	
1.9 JTD (192_XE1A) (192 A1.000)		Diesel	FWD	1910	85	115	10.01-11.06	■	
1.9 JTD (192_XE1A) (937 A7.000)		Diesel	FWD	1910	85	115	10.01-11.06	■	
1.9 JTD (192_XE1A) (937 A7.000)		Diesel	FWD	1910	85	115	10.01-11.06	■	
1.9 D Multijet (192 A8.000)		Diesel	FWD	1910	88	120	09.05-11.06	■	
1.9 D Multijet (192 A8.000)		Diesel	FWD	1910	88	120	09.05-11.06	■	
1.9 JTD (937 A4.000)		Diesel	FWD	1910	93	126	09.03-11.06	■	
1.9 JTD (937 A4.000)		Diesel	FWD	1910	93	126	09.03-11.06	■	
1.9 JTD (192 B1.000)		Diesel	FWD	1910	100	136	04.04-11.06	■	
1.9 JTD (192 B1.000)		Diesel	FWD	1910	100	136	04.04-11.06	■	
1.9 JTD (192 A5.000)		Diesel	FWD	1910	103	140	01.04-08.05	■	
1.9 JTD (192 A5.000)		Diesel	FWD	1910	103	140	01.04-08.05	■	
1.9 D Multijet (937 A5.000)		Diesel	FWD	1910	110	150	09.05-11.06	■	
1.9 D Multijet (937 A5.000)		Diesel	FWD	1910	110	150	09.05-11.06	■	
STILO Multi Wagon (192_) 01.03-08.08							Estate (Compact car-C Segment)		
1.4 16V (192 B2.000)	-12/07	Gasolina	FWD	1368	66	90	03.05-08.08	■	
1.4 16V (192 B2.000)	-12/07	Gasolina	FWD	1368	66	90	03.05-08.08	■	
1.4 16V (843 A1.000)	-12/07	Gasolina	FWD	1368	70	95	01.04-08.08	■	
1.4 16V (843 A1.000)	-12/07	Gasolina	FWD	1368	70	95	01.04-08.08	■	
1.6 16V (182 B6.000)	-12/07	Gasolina	FWD	1596	76	103	01.03-08.08	■	
1.6 16V (182 B6.000)	-12/07	Gasolina	FWD	1596	76	103	01.03-08.08	■	
1.8 16V (192 A4.000)	-12/07	Gasolina	FWD	1747	98	133	01.03-08.08	■	
1.8 16V (192 A4.000)	-12/07	Gasolina	FWD	1747	98	133	01.03-08.08	■	
1.8		Gasolina	FWD	1796	76	103	01.04-08.08	■	
1.8		Gasolina	FWD	1796	76	103	01.04-08.08	■	
1.8		Gasolina	FWD	1796	84	114	09.05-08.08	■	
1.8		Gasolina	FWD	1796	84	114	09.05-08.08	■	
1.8		Gasolina	FWD	1796	90	122	01.04-08.08	■	
1.8		Gasolina	FWD	1796	90	122	01.04-08.08	■	
2.4 20V (19245ZO) (192 A7.011)		Gasolina	FWD	2446	123	167	01.04-08.08	■	
2.4 20V (19245ZO) (192 A7.011)		Gasolina	FWD	2446	123	167	01.04-08.08	■	
1.9 JTD (192 A3.000)	-12/07	Diesel	FWD	1910	59	80	01.03-08.05	■	
1.9 JTD (192 A3.000)	-12/07	Diesel	FWD	1910	59	80	01.03-08.05	■	

LISTA DE APLICACIONES - BUYERS GUIDE

1.9 D Multijet (192 A9.000)	-12/07	Diesel	FWD	1910	74	100	09.05-08.08	■
1.9 D Multijet (192 A9.000)	-12/07	Diesel	FWD	1910	74	100	09.05-08.08	■
1.9 JTD (192 A1.000)	-12/07	Diesel	FWD	1910	85	115	01.03-08.08	■
1.9 JTD (192 A1.000)	-12/07	Diesel	FWD	1910	85	115	01.03-08.08	■
1.9 JTD (937 A7.000)	-12/07	Diesel	FWD	1910	85	115	01.03-08.08	■
1.9 JTD (937 A7.000)	-12/07	Diesel	FWD	1910	85	115	01.03-08.08	■
1.9 D Multijet (192 A8.000)	-12/07	Diesel	FWD	1910	88	120	09.05-08.08	■
1.9 D Multijet (192 A8.000)	-12/07	Diesel	FWD	1910	88	120	09.05-08.08	■
1.9 JTD (937 A4.000)	-12/07	Diesel	FWD	1910	93	126	09.03-08.08	■
1.9 JTD (937 A4.000)	-12/07	Diesel	FWD	1910	93	126	09.03-08.08	■
1.9 JTD (192 B1.000)	-12/07	Diesel	FWD	1910	100	136	04.04-08.08	■
1.9 JTD (192 B1.000)	-12/07	Diesel	FWD	1910	100	136	04.04-08.08	■
1.9 JTD (192 A5.000)	-12/07	Diesel	FWD	1910	103	140	01.04-08.08	■
1.9 JTD (192 A5.000)	-12/07	Diesel	FWD	1910	103	140	01.04-08.08	■
1.9 D Multijet (192DXT1B) (937 A5.000)	-12/07	Diesel	FWD	1910	110	150	09.05-08.08	■
1.9 D Multijet (192DXT1B) (937 A5.000)	-12/07	Diesel	FWD	1910	110	150	09.05-08.08	■

LANCIA

								Hatchback (Compact car-C Segment)
DELTA III (844_) 08.08-08.14								
1.4 (844.AXA1A) (198 A4.000)		Gasolina	FWD	1368	88	120	09.08-08.14	■
1.4 (844.AXA1A) (198 A4.000)		Gasolina	FWD	1368	88	120	09.08-08.14	■
1.4 (844.AXB1A) (198 A1.000)		Gasolina	FWD	1368	110	150	09.08-08.14	■
1.4 (844.AXB1A) (198 A1.000)		Gasolina	FWD	1368	110	150	09.08-08.14	■
1.4 Bifuel (844.AXA1A) (198 A4.000)		Gasol./Gas (LPG)	FWD	1368	88	120	07.11-08.14	■
1.4 Bifuel (844.AXA1A) (198 A4.000)		Gasol./Gas (LPG)	FWD	1368	88	120	07.11-08.14	■
1.6 D Multijet (844.AXC11, 844.AXC1A) (198 A2.000)		Diesel	FWD	1598	88	120	09.08-08.14	■
1.6 D Multijet (844.AXC11, 844.AXC1A) (198 A2.000)		Diesel	FWD	1598	88	120	09.08-08.14	■
1.9 D Multijet (844.AXE1A) (844 A1.000)		Diesel	FWD	1910	140	190	01.09-08.14	■
1.9 D Multijet (844.AXE1A) (844 A1.000)		Diesel	FWD	1910	140	190	01.09-08.14	■
2.0 D Multijet (844.AXD1A, 844.AXM1A) (198 A5.000)		Diesel	FWD	1956	121	165	09.08-08.14	■
2.0 D Multijet (844.AXD1A, 844.AXM1A) (198 A5.000)		Diesel	FWD	1956	121	165	09.08-08.14	■
2.0 D Multijet (844.AXD1A, 844.AXM1A) (198 A8.000)		Diesel	FWD	1956	121	165	09.08-08.14	■
2.0 D Multijet (844.AXD1A, 844.AXM1A) (198 A8.000)		Diesel	FWD	1956	121	165	09.08-08.14	■