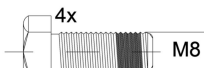
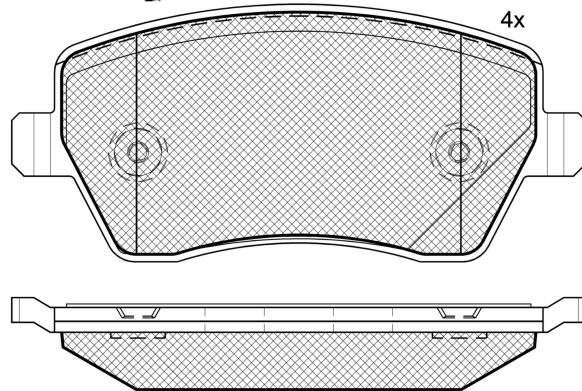
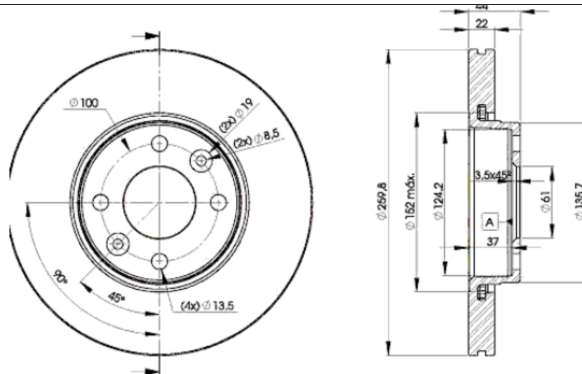


# LISTA DE APLICACIONES - BUYERS GUIDE

## 31534-7795



Weight: 13.060



1-Ref. 690042

## 31534-7795



Trw

116.4x52.4x17.3  
Ø260x22x44

<b>WVA</b>
23973
<b>MAKE</b>
DACIA
NISSAN
RENAULT



Trac.	CC	Kw	CV	Front / Rear
-------	----	----	----	--------------

### DACIA

LOGAN (US_) 03.08-				Pickup (Compact car-C Segment)				
1.6 (K7M 710)	Gasolina	FWD	1598	64	87	03.08-	■	
1.6 (K7M 710)	Gasolina	FWD	1598	64	87	03.08-	■	
1.5 dCi (US0K) (K9K 792)	Diesel	FWD	1461	50	68	03.08-	■	
1.5 dCi (US0K) (K9K 792)	Diesel	FWD	1461	50	68	03.08-	■	
1.5 dCi (US0W) (K9K 796)	Diesel	FWD	1461	63	86	03.08-	■	
1.5 dCi (US0W) (K9K 796)	Diesel	FWD	1461	63	86	03.08-	■	

### NISSAN

MICRA III / MARCH (K12) 03.02-09.11				Hatchback (Supermini car-B Segment)				
1.0 16V (K12) (CG10DE)	Gasolina	FWD	998	48	65	01.03-06.10	■	
1.0 16V (K12) (CG10DE)	Gasolina	FWD	998	48	65	01.03-06.10	■	
1.2 16V (CG12DE)	Gasolina	FWD	1240	48	65	01.03-06.10	■	
1.2 16V (CG12DE)	Gasolina	FWD	1240	48	65	01.03-06.10	■	
1.2 16V (CR12DE)	Gasolina	FWD	1240	48	65	01.03-06.10	■	
1.2 16V (CR12DE)	Gasolina	FWD	1240	48	65	01.03-06.10	■	
1.2 16V (CG12DE)	Gasolina	FWD	1240	59	80	01.03-06.10	■	
1.2 16V (CG12DE)	Gasolina	FWD	1240	59	80	01.03-06.10	■	
1.2 16V (CR12DE)	Gasolina	FWD	1240	59	80	01.03-06.10	■	
1.2 16V (CR12DE)	Gasolina	FWD	1240	59	80	01.03-06.10	■	
1.4 16V (CR14DE)	Gasolina	FWD	1386	65	88	01.03-06.10	■	
1.4 16V (CR14DE)	Gasolina	FWD	1386	65	88	01.03-06.10	■	
160 SR (HR16DE)	Gasolina	FWD	1598	81	110	05.05-06.10	■	
160 SR (HR16DE)	Gasolina	FWD	1598	81	110	05.05-06.10	■	

# LISTA DE APLICACIONES - BUYERS GUIDE

1.5 dCi (K9K 704)		Diesel	FWD	1461	48	65	01.03-06.10	■	
1.5 dCi (K9K 704)		Diesel	FWD	1461	48	65	01.03-06.10	■	
1.5 dCi (K9K 708)		Diesel	FWD	1461	50	68	06.05-06.10	■	
1.5 dCi (K9K 708)		Diesel	FWD	1461	50	68	06.05-06.10	■	
1.5 dCi (K9K 722)		Diesel	FWD	1461	60	82	09.03-06.10	■	
1.5 dCi (K9K 722)		Diesel	FWD	1461	60	82	09.03-06.10	■	
1.5 dCi (K9K 276)		Diesel	FWD	1461	63	86	06.05-06.10	■	
1.5 dCi (K9K 276)		Diesel	FWD	1461	63	86	06.05-06.10	■	
<b>MICRA III C+C / MARCH (K12) 08.05-</b>							<b>Convertible (Supermini car-B Segment)</b>		
1.4 16V (CR14DE)	-12/10	Gasolina	FWD	1386	65	88	08.05-01.09	■	
1.4 16V (CR14DE)	-12/10	Gasolina	FWD	1386	65	88	08.05-01.09	■	
1.6 160 SR (HR16DE)	-12/10	Gasolina	FWD	1598	81	110	08.05-06.10	■	
1.6 160 SR (HR16DE)	-12/10	Gasolina	FWD	1598	81	110	08.05-06.10	■	
<b>NOTE (E11, NE11) 01.05-08.13</b>							<b>MPV (Mini MPV-M1 Segment)</b>		
1.4 (CR14DE)		Gasolina	FWD	1386	65	88	01.06-08.13	■	
1.4 (CR14DE)		Gasolina	FWD	1386	65	88	01.06-08.13	■	
1.5 (HR15DE)		Gasolina	FWD	1498	80	109	03.06-12.10	■	
1.5 (HR15DE)		Gasolina	FWD	1498	80	109	03.06-12.10	■	
1.5		Gasolina	FWD	1498	80	109	01.06-12.10	■	
1.5		Gasolina	FWD	1498	80	109	01.06-12.10	■	
1.6 (HR16DE)		Gasolina	FWD	1598	81	110	03.06-06.12	■	
1.6 (HR16DE)		Gasolina	FWD	1598	81	110	03.06-06.12	■	
1.5 dCi (K9K 700)		Diesel	FWD	1461	50	68	03.06-06.12	■	
1.5 dCi (K9K 700)		Diesel	FWD	1461	50	68	03.06-06.12	■	
1.5 dCi (K9K 276)		Diesel	FWD	1461	63	86	03.06-06.12	■	
1.5 dCi (K9K 276)		Diesel	FWD	1461	63	86	03.06-06.12	■	
1.5 dCi (K9K 288)		Diesel	FWD	1461	76	103	07.08-06.12	■	
1.5 dCi (K9K 288)		Diesel	FWD	1461	76	103	07.08-06.12	■	
<b>NOTE VAN (E11) 01.05-08.13</b>							<b>Box Body/MPV (Mini MPV-M1 Segment)</b>		
1.5 dCi		Diesel	FWD	1461	63	86	01.11-09.12	■	
1.5 dCi		Diesel	FWD	1461	63	86	01.11-09.12	■	
<b>TIIDA / VERSA (C11) 05.04-12.14</b>							<b>Hatchback (City car-A Segment)</b>		
1.6 (HR16DE)		Gasolina	FWD	1598	81	110	09.07-12.11	■	
1.6 (HR16DE)		Gasolina	FWD	1598	81	110	09.07-12.11	■	
1.8 (JC11) (MR18DE)		Gasolina	FWD	1798	93	126	09.04-12.11	■	
1.8 (JC11) (MR18DE)		Gasolina	FWD	1798	93	126	09.04-12.11	■	
<b>TIIDA / VERSA (SC11) 05.04-02.14</b>							<b>Saloon (City car-A Segment)</b>		
1.8		Gasolina	FWD	1797	92	125	01.12-	■	
1.8		Gasolina	FWD	1797	92	125	01.12-	■	
1.8 Flex	01/12-	Gasolina	FWD	1797	92	125	07.10-	■	
1.8 Flex	01/12-	Gasolina	FWD	1797	92	125	07.10-	■	
<b>RENAULT</b>									
<b>CLIO II / EURO CLIO (BR0/1, CR0/1) 01.05-</b>							<b>Hatchback (Supermini car-B Segment)</b>		
1.2 16V (BR0R, BR1D, BR1L, CR0R) (D4F 740)		Gasolina	FWD	1149	48	65	06.05-12.14	■	
1.2 16V (BR0R, BR1D, BR1L, CR0R) (D4F 740)		Gasolina	FWD	1149	48	65	06.05-12.14	■	
1.2 16V (BR02, BR0J, BR11, CR02, CR0J, CR11) (D4F 706)	-12/12	Gasolina	FWD	1149	55	75	06.05-12.14	■	
1.2 16V (BR02, BR0J, BR11, CR02, CR0J, CR11) (D4F 706)	-12/12	Gasolina	FWD	1149	55	75	06.05-12.14	■	

## LISTA DE APLICACIONES - BUYERS GUIDE

1.2 16V (BR02, BR0J, BR11, CR02, CR0J, CR11) (D4F 740)	-12/12	Gasolina	FWD	1149	55	75	06.05-12.14	■	
1.2 16V (BR02, BR0J, BR11, CR02, CR0J, CR11) (D4F 740)	-12/12	Gasolina	FWD	1149	55	75	06.05-12.14	■	
1.2 16V (BR02, BR0J, BR11, CR02, CR0J, CR11) (D4F 764)	-12/12	Gasolina	FWD	1149	55	75	06.05-12.14	■	
1.2 16V (BR02, BR0J, BR11, CR02, CR0J, CR11) (D4F 764)	-12/12	Gasolina	FWD	1149	55	75	06.05-12.14	■	
1.2 (BR01, BR03, BR0E, CR0E) (D4F 764)		Gasolina	FWD	1149	57	78	10.05-12.12	■	
1.2 (BR01, BR03, BR0E, CR0E) (D4F 764)		Gasolina	FWD	1149	57	78	10.05-12.12	■	
1.2 16V (D4F 764)		Gasolina	FWD	1149	58	78	06.05-12.14	■	
1.2 16V (D4F 764)		Gasolina	FWD	1149	58	78	06.05-12.14	■	
1.2 16V (BR0P, CR0P) (D4F 784)	-12/12	Gasolina	FWD	1149	74	101	05.07-12.14	■	
1.2 16V (BR0P, CR0P) (D4F 784)	-12/12	Gasolina	FWD	1149	74	101	05.07-12.14	■	
1.4 16V (K4J 780)		Gasolina	FWD	1390	72	98	06.05-12.12	■	
1.4 16V (K4J 780)		Gasolina	FWD	1390	72	98	06.05-12.12	■	
1.6 16V (BR09, BR0T, CR09, CR0T) (K4M 804)		Gasolina	FWD	1598	65	88	06.05-10.07	■	
1.6 16V (BR09, BR0T, CR09, CR0T) (K4M 804)		Gasolina	FWD	1598	65	88	06.05-10.07	■	
1.6 16V (BR05, BR0B, BR0Y, BR15, BR1J, BR1M, BR1Y, CR0B,...) (K4M 800)	-12/12	Gasolina	FWD	1598	82	112	06.05-12.14	■	
1.6 16V (BR05, BR0B, BR0Y, BR15, BR1J, BR1M, BR1Y, CR0B,...) (K4M 800)	-12/12	Gasolina	FWD	1598	82	112	06.05-12.14	■	
1.6 16V (BR05, BR0B, BR0Y, BR15, BR1J, BR1M, BR1Y, CR0B,...) (K4M 801)	-12/12	Gasolina	FWD	1598	82	112	06.05-12.14	■	
1.6 16V (BR05, BR0B, BR0Y, BR15, BR1J, BR1M, BR1Y, CR0B,...) (K4M 801)	-12/12	Gasolina	FWD	1598	82	112	06.05-12.14	■	
1.2 16V Hi-Flex (BR1U, CR1U) (D4F 740)		Gasol./Gas (LPG)	FWD	1149	55	75	07.08-12.14	■	
1.2 16V Hi-Flex (BR1U, CR1U) (D4F 740)		Gasol./Gas (LPG)	FWD	1149	55	75	07.08-12.14	■	
1.5 dCi (K9K 752)		Diesel	FWD	1461	47	64	06.05-12.12	■	
1.5 dCi (K9K 752)		Diesel	FWD	1461	47	64	06.05-12.12	■	
1.5 dCi (K9K 752)		Diesel	FWD	1461	48	65	05.05-11.10	■	
1.5 dCi (K9K 752)		Diesel	FWD	1461	48	65	05.05-11.10	■	
1.5 dCi (C/BR0G, C/BR1G) (K9K 714)		Diesel	FWD	1461	50	68	06.05-12.12	■	
1.5 dCi (C/BR0G, C/BR1G) (K9K 714)		Diesel	FWD	1461	50	68	06.05-12.12	■	
1.5 dCi (C/BR0G, C/BR1G) (K9K 768)		Diesel	FWD	1461	50	68	06.05-12.12	■	
1.5 dCi (C/BR0G, C/BR1G) (K9K 768)		Diesel	FWD	1461	50	68	06.05-12.12	■	
1.5 dCi (K9K 750)		Diesel	FWD	1461	60	82	11.07-12.12	■	
1.5 dCi (K9K 750)		Diesel	FWD	1461	60	82	11.07-12.12	■	
1.5 dCi (BR17, CR17) (K9K 766)		Diesel	FWD	1461	63	86	06.05-12.12	■	
1.5 dCi (BR17, CR17) (K9K 766)		Diesel	FWD	1461	63	86	06.05-12.12	■	
1.5 dCi (BR1C, CR1C) (K9K 772)		Diesel	FWD	1461	76	103	06.05-12.12	■	
1.5 dCi (BR1C, CR1C) (K9K 772)		Diesel	FWD	1461	76	103	06.05-12.12	■	
1.5 dCi (BR0H, CR0H, CR1S, BR1S) (K9K 764)	-12/12	Diesel	FWD	1461	78	106	06.05-12.14	■	
1.5 dCi (BR0H, CR0H, CR1S, BR1S) (K9K 764)	-12/12	Diesel	FWD	1461	78	106	06.05-12.14	■	
1.5 dCi (BR0H, CR0H, CR1S, BR1S) (K9K 774)	-12/12	Diesel	FWD	1461	78	106	06.05-12.14	■	
1.5 dCi (BR0H, CR0H, CR1S, BR1S) (K9K 774)	-12/12	Diesel	FWD	1461	78	106	06.05-12.14	■	
<b>CLIO III Grandtour (KR0/1_) 11.07-</b>							<b>Estate (Supermini car-B Segment)</b>		
1.2 16V (KR02, KR0J) (D4F 740)		Gasolina	FWD	1149	55	75	02.08-12.14	■	
1.2 16V (KR02, KR0J) (D4F 740)		Gasolina	FWD	1149	55	75	02.08-12.14	■	
1.2 16V (KR0E) (D4F 764)		Gasolina	FWD	1149	58	78	11.07-12.14	■	
1.2 16V (KR0E) (D4F 764)		Gasolina	FWD	1149	58	78	11.07-12.14	■	
1.2 16V (KR0P) (D4F 784)		Gasolina	FWD	1149	74	101	11.07-12.12	■	
1.2 16V (KR0P) (D4F 784)		Gasolina	FWD	1149	74	101	11.07-12.12	■	
1.6 16V (KR0B) (K4M 800)		Gasolina	FWD	1598	82	112	11.07-12.12	■	
1.6 16V (KR0B) (K4M 800)		Gasolina	FWD	1598	82	112	11.07-12.12	■	

# LISTA DE APLICACIONES - BUYERS GUIDE

1.6 16V (KR0B) (K4M 801)		Gasolina	FWD	1598	82	112	11.07-12.12	■
1.6 16V (KR0B) (K4M 801)		Gasolina	FWD	1598	82	112	11.07-12.12	■
1.6 16V (KR10) (K4M 862)		Gasolina	FWD	1598	94	128	11.07-12.12	■
1.6 16V (KR10) (K4M 862)		Gasolina	FWD	1598	94	128	11.07-12.12	■
1.2 16V Hi-Flex (KR0S) (D4F 740)		Gasol./Etanol	FWD	1149	55	75	07.08-12.14	■
1.2 16V Hi-Flex (KR0S) (D4F 740)		Gasol./Etanol	FWD	1149	55	75	07.08-12.14	■
1.5 dCi (KR1C, KR1N) (K9K 772)		Diesel	FWD	1461	76	103	11.07-12.12	■
1.5 dCi (KR1C, KR1N) (K9K 772)		Diesel	FWD	1461	76	103	11.07-12.12	■
1.5 dCi (KR0H, KR1S) (K9K 764)		Diesel	FWD	1461	78	106	02.08-12.12	■
1.5 dCi (KR0H, KR1S) (K9K 764)		Diesel	FWD	1461	78	106	02.08-12.12	■
1.5 dCi (KR0H, KR1S) (K9K 774)		Diesel	FWD	1461	78	106	02.08-12.12	■
1.5 dCi (KR0H, KR1S) (K9K 774)		Diesel	FWD	1461	78	106	02.08-12.12	■
<b>MODUS / GRAND MODUS (F/JP0_) 09.04-</b>				<b>Hatchback (Mini MPV-M1 Segment)</b>				
1.2 (FP0C, FP0K, FP0P) (D4F 740)		Gasolina	FWD	1149	48	65	05.05-10.07	■
1.2 (FP0C, FP0K, FP0P) (D4F 740)		Gasolina	FWD	1149	48	65	05.05-10.07	■
1.2 (JP0C, JP0K, FP0C, FP0K, FP0P, JP0P, JP0T) (D4F 740)		Gasolina	FWD	1149	55	75	12.04-12.13	■
1.2 (JP0C, JP0K, FP0C, FP0K, FP0P, JP0P, JP0T) (D4F 740)		Gasolina	FWD	1149	55	75	12.04-12.13	■
1.2 (JP0S) (D4F 764)		Gasolina	FWD	1149	58	78	12.04-12.13	■
1.2 (JP0S) (D4F 764)		Gasolina	FWD	1149	58	78	12.04-12.13	■
1.2 16V (JP0W) (D4F 784)		Gasolina	FWD	1149	74	101	05.07-12.13	■
1.2 16V (JP0W) (D4F 784)		Gasolina	FWD	1149	74	101	05.07-12.13	■
1.4 (JP01, JP0J) (K4J 770)		Gasolina	FWD	1390	72	98	12.04-12.13	■
1.4 (JP01, JP0J) (K4J 770)		Gasolina	FWD	1390	72	98	12.04-12.13	■
1.4 (JP01, JP0J) (K4J 780)		Gasolina	FWD	1390	72	98	12.04-12.13	■
1.4 (JP01, JP0J) (K4J 780)		Gasolina	FWD	1390	72	98	12.04-12.13	■
1.6 (JP0L, JP0V) (K4M 794)		Gasolina	FWD	1598	65	88	12.04-10.07	■
1.6 (JP0L, JP0V) (K4M 794)		Gasolina	FWD	1598	65	88	12.04-10.07	■
1.6 (JP03, JP0B, JP0U, JP0Y, JP1G) (K4M 790)		Gasolina	FWD	1598	82	112	12.04-12.13	■
1.6 (JP03, JP0B, JP0U, JP0Y, JP1G) (K4M 790)		Gasolina	FWD	1598	82	112	12.04-12.13	■
1.6 (JP03, JP0B, JP0U, JP0Y, JP1G) (K4M 791)		Gasolina	FWD	1598	82	112	12.04-12.13	■
1.6 (JP03, JP0B, JP0U, JP0Y, JP1G) (K4M 791)		Gasolina	FWD	1598	82	112	12.04-12.13	■
1.6 (JP03, JP0B, JP0U, JP0Y, JP1G) (K4M 800)		Gasolina	FWD	1598	82	112	12.04-12.13	■
1.6 (JP03, JP0B, JP0U, JP0Y, JP1G) (K4M 800)		Gasolina	FWD	1598	82	112	12.04-12.13	■
1.6 (JP03, JP0B, JP0U, JP0Y, JP1G) (K4M 801)		Gasolina	FWD	1598	82	112	12.04-12.13	■
1.6 (JP03, JP0B, JP0U, JP0Y, JP1G) (K4M 801)		Gasolina	FWD	1598	82	112	12.04-12.13	■
1.2 16V Hi-Flex (D4F 740)		Gasol./Etanol	FWD	1149	55	75	10.08-12.13	■
1.2 16V Hi-Flex (D4F 740)		Gasol./Etanol	FWD	1149	55	75	10.08-12.13	■
1.5 dCi (FP0E, JP0E) (K9K 752)		Diesel	FWD	1461	48	65	12.04-12.13	■
1.5 dCi (FP0E, JP0E) (K9K 752)		Diesel	FWD	1461	48	65	12.04-12.13	■
1.5 dCi (FP0E, JP0E) (K9K 768)		Diesel	FWD	1461	48	65	12.04-12.13	■
1.5 dCi (FP0E, JP0E) (K9K 768)		Diesel	FWD	1461	48	65	12.04-12.13	■
1.5 dCi (FP0G, JP0G) (K9K 768)		Diesel	FWD	1461	50	68	12.04-12.13	■
1.5 dCi (FP0G, JP0G) (K9K 768)		Diesel	FWD	1461	50	68	12.04-12.13	■
1.5 dCi (FP0F, JP0F) (K9K 760)		Diesel	FWD	1461	63	86	12.04-12.13	■
1.5 dCi (FP0F, JP0F) (K9K 760)		Diesel	FWD	1461	63	86	12.04-12.13	■

## LISTA DE APLICACIONES - BUYERS GUIDE

1.5 dCi (FP0F, JP0F) (K9K 766)	Diesel	FWD	1461	63	86	12.04-12.13	■
1.5 dCi (FP0F, JP0F) (K9K 766)	Diesel	FWD	1461	63	86	12.04-12.13	■
1.5 dCi (JP02) (K9K 772)	Diesel	FWD	1461	76	103	05.07-12.13	■
1.5 dCi (JP02) (K9K 772)	Diesel	FWD	1461	76	103	05.07-12.13	■
1.5 dCi (JP0G, JP0H) (K9K 764)	Diesel	FWD	1461	78	106	05.05-12.13	■
1.5 dCi (JP0G, JP0H) (K9K 764)	Diesel	FWD	1461	78	106	05.05-12.13	■