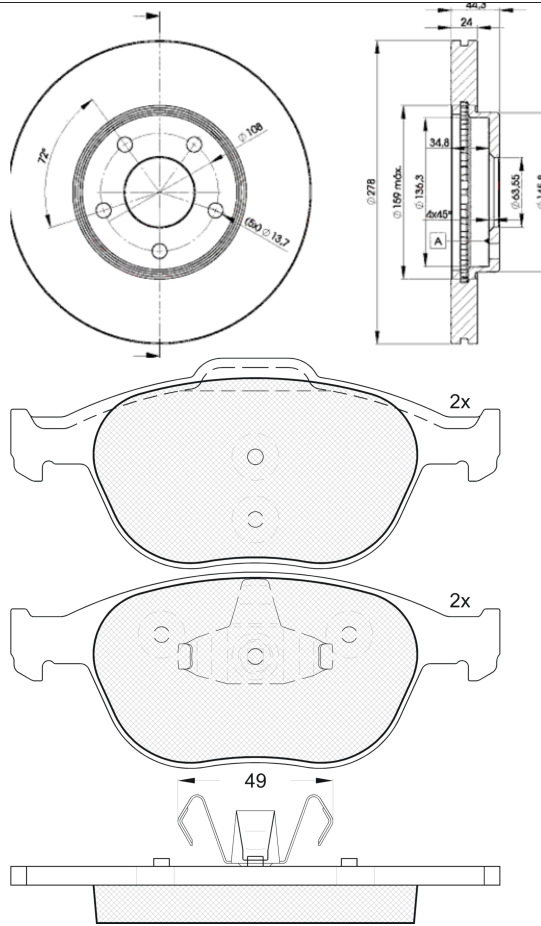


LISTA DE APLICACIONES - BUYERS GUIDE

31537-5980



Weight: 16.642



31537-5980



Ate - Teves

156.4x62.8x18.1

Ø278x24x44.5

WVA

23440

MAKE

FORD



Trac.

CC

Kw

CV



Front / Rear

FORD

TOURNEO CONNECT / TRANSIT CONNECT 06.02-12.13

MPV (Large MPV-M1 Segment)

| | | | | | | | |
|---------------------------|----------|-----|------|----|-----|-------------|---|
| 1.8 16V (EYPA) | Gasolina | FWD | 1796 | 85 | 116 | 06.02-12.13 | ■ |
| 1.8 16V (EYPA) | Gasolina | FWD | 1796 | 85 | 116 | 06.02-12.13 | ■ |
| 1.8 16V (EYPB) | Gasolina | FWD | 1796 | 85 | 116 | 06.02-12.13 | ■ |
| 1.8 16V (EYPB) | Gasolina | FWD | 1796 | 85 | 116 | 06.02-12.13 | ■ |
| 1.8 16V (EYPC) | Gasolina | FWD | 1796 | 85 | 116 | 06.02-12.13 | ■ |
| 1.8 16V (EYPC) | Gasolina | FWD | 1796 | 85 | 116 | 06.02-12.13 | ■ |
| 1.8 16V (EYPD) | Gasolina | FWD | 1796 | 85 | 116 | 06.02-12.13 | ■ |
| 1.8 16V (EYPD) | Gasolina | FWD | 1796 | 85 | 116 | 06.02-12.13 | ■ |
| 1.8 TDCi /TDDi /DI (BHPA) | Diesel | FWD | 1753 | 55 | 75 | 06.02-12.13 | ■ |
| 1.8 TDCi /TDDi /DI (BHPA) | Diesel | FWD | 1753 | 55 | 75 | 06.02-12.13 | ■ |
| 1.8 TDCi /TDDi /DI (P7PA) | Diesel | FWD | 1753 | 55 | 75 | 06.02-12.13 | ■ |
| 1.8 TDCi /TDDi /DI (P7PA) | Diesel | FWD | 1753 | 55 | 75 | 06.02-12.13 | ■ |
| 1.8 TDCi /TDDi /DI (P7PB) | Diesel | FWD | 1753 | 55 | 75 | 06.02-12.13 | ■ |
| 1.8 TDCi /TDDi /DI (P7PB) | Diesel | FWD | 1753 | 55 | 75 | 06.02-12.13 | ■ |
| 1.8 TDCi /TDDi /DI (R2PA) | Diesel | FWD | 1753 | 55 | 75 | 06.02-12.13 | ■ |
| 1.8 TDCi /TDDi /DI (R2PA) | Diesel | FWD | 1753 | 55 | 75 | 06.02-12.13 | ■ |
| 1.8 TDCi (HCPA) | Diesel | FWD | 1753 | 66 | 90 | 06.02-12.13 | ■ |
| 1.8 TDCi (HCPA) | Diesel | FWD | 1753 | 66 | 90 | 06.02-12.13 | ■ |
| 1.8 TDCi (HCPB) | Diesel | FWD | 1753 | 66 | 90 | 06.02-12.13 | ■ |
| 1.8 TDCi (HCPB) | Diesel | FWD | 1753 | 66 | 90 | 06.02-12.13 | ■ |
| 1.8 TDCi (HCPC) | Diesel | FWD | 1753 | 66 | 90 | 06.02-12.13 | ■ |
| 1.8 TDCi (HCPC) | Diesel | FWD | 1753 | 66 | 90 | 06.02-12.13 | ■ |
| 1.8 TDCi (HCPD) | Diesel | FWD | 1753 | 66 | 90 | 06.02-12.13 | ■ |

LISTA DE APLICACIONES - BUYERS GUIDE

| | | | | | | | | |
|--------------------------------------------------|--|------------------|-----|------|----|-----|---------------------------------------|---|
| 1.8 TDCi (HCPD) | | Diesel | FWD | 1753 | 66 | 90 | 06.02-12.13 | ■ |
| 1.8 TDCi (P9PA) | | Diesel | FWD | 1753 | 66 | 90 | 06.02-12.13 | ■ |
| 1.8 TDCi (P9PA) | | Diesel | FWD | 1753 | 66 | 90 | 06.02-12.13 | ■ |
| 1.8 TDCi (P9PB) | | Diesel | FWD | 1753 | 66 | 90 | 06.02-12.13 | ■ |
| 1.8 TDCi (P9PB) | | Diesel | FWD | 1753 | 66 | 90 | 06.02-12.13 | ■ |
| 1.8 TDCi (P9PC) | | Diesel | FWD | 1753 | 66 | 90 | 06.02-12.13 | ■ |
| 1.8 TDCi (P9PC) | | Diesel | FWD | 1753 | 66 | 90 | 06.02-12.13 | ■ |
| 1.8 TDCi (P9PD) | | Diesel | FWD | 1753 | 66 | 90 | 06.02-12.13 | ■ |
| 1.8 TDCi (P9PD) | | Diesel | FWD | 1753 | 66 | 90 | 06.02-12.13 | ■ |
| 1.8 TDCi (R3PA) | | Diesel | FWD | 1753 | 66 | 90 | 06.02-12.13 | ■ |
| 1.8 TDCi (R3PA) | | Diesel | FWD | 1753 | 66 | 90 | 06.02-12.13 | ■ |
| 1.8 TDCi (RWPE) | | Diesel | FWD | 1753 | 66 | 90 | 06.02-12.13 | ■ |
| 1.8 TDCi (RWPE) | | Diesel | FWD | 1753 | 66 | 90 | 06.02-12.13 | ■ |
| 1.8 TDCi (RWPF) | | Diesel | FWD | 1753 | 66 | 90 | 06.02-12.13 | ■ |
| 1.8 TDCi (RWPF) | | Diesel | FWD | 1753 | 66 | 90 | 06.02-12.13 | ■ |
| 1.8 TDCi (RWPA) | | Diesel | FWD | 1753 | 81 | 110 | 08.06-12.13 | ■ |
| 1.8 TDCi (RWPA) | | Diesel | FWD | 1753 | 81 | 110 | 08.06-12.13 | ■ |
| 1.8 TDCi (RWPB) | | Diesel | FWD | 1753 | 81 | 110 | 08.06-12.13 | ■ |
| 1.8 TDCi (RWPB) | | Diesel | FWD | 1753 | 81 | 110 | 08.06-12.13 | ■ |
| 1.8 TDCi (RWPC) | | Diesel | FWD | 1753 | 81 | 110 | 08.06-12.13 | ■ |
| 1.8 TDCi (RWPC) | | Diesel | FWD | 1753 | 81 | 110 | 08.06-12.13 | ■ |
| 1.8 TDCi (RWPD) | | Diesel | FWD | 1753 | 81 | 110 | 08.06-12.13 | ■ |
| 1.8 TDCi (RWPD) | | Diesel | FWD | 1753 | 81 | 110 | 08.06-12.13 | ■ |
| TRANSIT CONNECT (P65_, P70_, P80_) 06.02- | | | | | | | Box Body/MPV (LCVs-N1 Segment) | |
| 1.8 16V (EYPA) | | Gasolina | FWD | 1796 | 85 | 116 | 06.02-12.13 | ■ |
| 1.8 16V (EYPA) | | Gasolina | FWD | 1796 | 85 | 116 | 06.02-12.13 | ■ |
| 1.8 16V (EYPC) | | Gasolina | FWD | 1796 | 85 | 116 | 06.02-12.13 | ■ |
| 1.8 16V (EYPC) | | Gasolina | FWD | 1796 | 85 | 116 | 06.02-12.13 | ■ |
| 1.8 16V (EYPD) | | Gasolina | FWD | 1796 | 85 | 116 | 06.02-12.13 | ■ |
| 1.8 16V (EYPD) | | Gasolina | FWD | 1796 | 85 | 116 | 06.02-12.13 | ■ |
| 1.8 16V LPG (EYPA) | | Gasol./Gas (LPG) | FWD | 1796 | 85 | 116 | 06.02-12.13 | ■ |
| 1.8 16V LPG (EYPA) | | Gasol./Gas (LPG) | FWD | 1796 | 85 | 116 | 06.02-12.13 | ■ |
| 1.8 16V LPG (EYPC) | | Gasol./Gas (LPG) | FWD | 1796 | 85 | 116 | 06.02-12.13 | ■ |
| 1.8 16V LPG (EYPC) | | Gasol./Gas (LPG) | FWD | 1796 | 85 | 116 | 06.02-12.13 | ■ |
| 1.8 16V LPG (EYPD) | | Gasol./Gas (LPG) | FWD | 1796 | 85 | 116 | 06.02-12.13 | ■ |
| 1.8 16V LPG (EYPD) | | Gasol./Gas (LPG) | FWD | 1796 | 85 | 116 | 06.02-12.13 | ■ |
| 1.8 DI (BHPA) | | Diesel | FWD | 1753 | 55 | 75 | 06.02-12.13 | ■ |
| 1.8 DI (BHPA) | | Diesel | FWD | 1753 | 55 | 75 | 06.02-12.13 | ■ |
| 1.8 DI (P7PA) | | Diesel | FWD | 1753 | 55 | 75 | 06.02-12.13 | ■ |
| 1.8 DI (P7PA) | | Diesel | FWD | 1753 | 55 | 75 | 06.02-12.13 | ■ |
| 1.8 DI (P7PB) | | Diesel | FWD | 1753 | 55 | 75 | 06.02-12.13 | ■ |
| 1.8 DI (P7PB) | | Diesel | FWD | 1753 | 55 | 75 | 06.02-12.13 | ■ |
| 1.8 DI (R2PA) | | Diesel | FWD | 1753 | 55 | 75 | 06.02-12.13 | ■ |
| 1.8 DI (R2PA) | | Diesel | FWD | 1753 | 55 | 75 | 06.02-12.13 | ■ |
| 1.8 TDCi (HCPA) | | Diesel | FWD | 1753 | 66 | 90 | 06.02-12.13 | ■ |
| 1.8 TDCi (HCPA) | | Diesel | FWD | 1753 | 66 | 90 | 06.02-12.13 | ■ |
| 1.8 TDCi (HCPB) | | Diesel | FWD | 1753 | 66 | 90 | 06.02-12.13 | ■ |
| 1.8 TDCi (HCPB) | | Diesel | FWD | 1753 | 66 | 90 | 06.02-12.13 | ■ |

LISTA DE APLICACIONES - BUYERS GUIDE

| | | | | | | | | |
|-----------------|--|--------|-----|------|----|----|-------------|---|
| 1.8 TDCi (HCPC) | | Diesel | FWD | 1753 | 66 | 90 | 06.02-12.13 | ■ |
| 1.8 TDCi (HCPC) | | Diesel | FWD | 1753 | 66 | 90 | 06.02-12.13 | ■ |
| 1.8 TDCi (HCPD) | | Diesel | FWD | 1753 | 66 | 90 | 06.02-12.13 | ■ |
| 1.8 TDCi (HCPD) | | Diesel | FWD | 1753 | 66 | 90 | 06.02-12.13 | ■ |
| 1.8 TDCi (P9PA) | | Diesel | FWD | 1753 | 66 | 90 | 06.02-12.13 | ■ |
| 1.8 TDCi (P9PA) | | Diesel | FWD | 1753 | 66 | 90 | 06.02-12.13 | ■ |
| 1.8 TDCi (P9PB) | | Diesel | FWD | 1753 | 66 | 90 | 06.02-12.13 | ■ |
| 1.8 TDCi (P9PB) | | Diesel | FWD | 1753 | 66 | 90 | 06.02-12.13 | ■ |
| 1.8 TDCi (P9PC) | | Diesel | FWD | 1753 | 66 | 90 | 06.02-12.13 | ■ |
| 1.8 TDCi (P9PC) | | Diesel | FWD | 1753 | 66 | 90 | 06.02-12.13 | ■ |
| 1.8 TDCi (P9PD) | | Diesel | FWD | 1753 | 66 | 90 | 06.02-12.13 | ■ |
| 1.8 TDCi (P9PD) | | Diesel | FWD | 1753 | 66 | 90 | 06.02-12.13 | ■ |
| 1.8 TDCi (R3PA) | | Diesel | FWD | 1753 | 66 | 90 | 06.02-12.13 | ■ |
| 1.8 TDCi (R3PA) | | Diesel | FWD | 1753 | 66 | 90 | 06.02-12.13 | ■ |
| 1.8 TDCi (RWPE) | | Diesel | FWD | 1753 | 66 | 90 | 06.02-12.13 | ■ |
| 1.8 TDCi (RWPE) | | Diesel | FWD | 1753 | 66 | 90 | 06.02-12.13 | ■ |
| 1.8 TDCi (RWPF) | | Diesel | FWD | 1753 | 66 | 90 | 06.02-12.13 | ■ |
| 1.8 TDCi (RWPF) | | Diesel | FWD | 1753 | 66 | 90 | 06.02-12.13 | ■ |