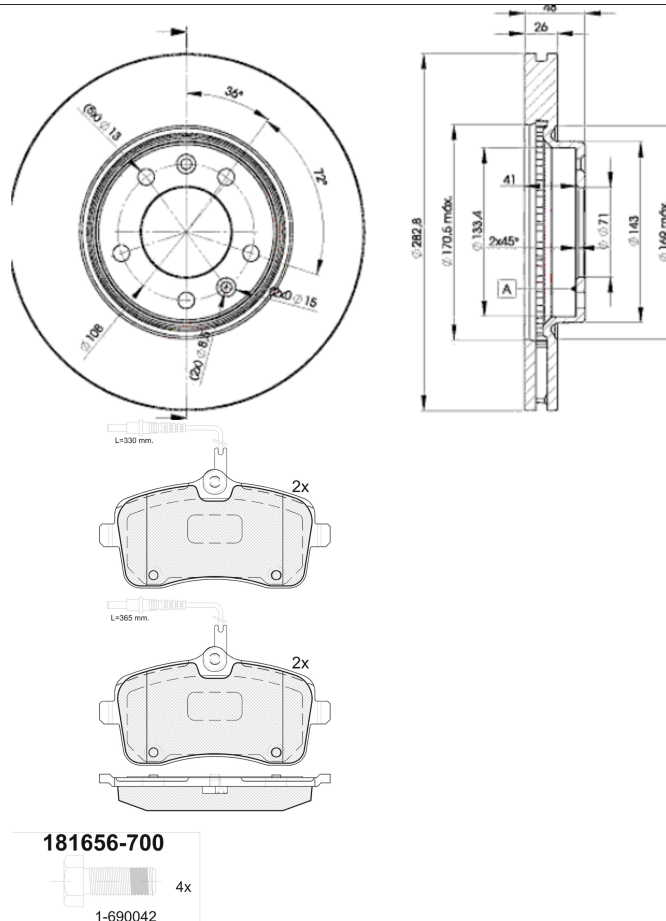


LISTA DE APLICACIONES - BUYERS GUIDE

31656-4685



Weight: 16.608



31656-4685



Trw

131.4x67.5x19.5
Ø284x26x48

WVA
24134
MAKE
PEUGEOT



Trac.	CC	Kw	CV						
									Front / Rear

PEUGEOT

407 (6C_) 10.05-						Coupe (Large family car-D Segment)			
2.0 HDi (RHR (DW10BTED4))	-12/09	Diesel	FWD	1997	100	136	10.05-		■
2.0 HDi (RHR (DW10BTED4))	-12/09	Diesel	FWD	1997	100	136	10.05-		■
407 (6D_) 02.04-12.13						Saloon (Large family car-D Segment)			
1.8 (6D6FZB) (6FZ (EW7J4))		Gasolina	FWD	1749	85	116	03.04-07.05		■
1.8 (6D6FZB) (6FZ (EW7J4))		Gasolina	FWD	1749	85	116	03.04-07.05		■
1.8 16V (6D6FYC) (6FY (EW7A))	-12/09	Gasolina	FWD	1749	92	125	08.05-12.10		■
1.8 16V (6D6FYC) (6FY (EW7A))	-12/09	Gasolina	FWD	1749	92	125	08.05-12.10		■
2.0 (6DRFNB, 6DRFNE) (RFN (EW10J4))		Gasolina	FWD	1997	100	136	03.04-07.05		■
2.0 (6DRFNB, 6DRFNE) (RFN (EW10J4))		Gasolina	FWD	1997	100	136	03.04-07.05		■
2.0 16V (6DRFJC, 6DRFJE, 6DRFJF) (RFJ (EW10A))	-12/09	Gasolina	FWD	1997	103	140	09.05-12.10		■
2.0 16V (6DRFJC, 6DRFJE, 6DRFJF) (RFJ (EW10A))	-12/09	Gasolina	FWD	1997	103	140	09.05-12.10		■
1.6 HDi 110 (6D9HZC, 6D9HYC) (9HZ (DV6TED4))	-12/09	Diesel	FWD	1560	80	109	05.04-12.10		■
1.6 HDi 110 (6D9HZC, 6D9HYC) (9HZ (DV6TED4))	-12/09	Diesel	FWD	1560	80	109	05.04-12.10		■
2.0 HDi 135 (6DRHRH, 6DRHRE, 6DRHRG, 6DRHRJ) (RHR (DW10BTED4))	-12/09	Diesel	FWD	1997	100	136	05.04-10.10		■
2.0 HDi 135 (6DRHRH, 6DRHRE, 6DRHRG, 6DRHRJ) (RHR (DW10BTED4))	-12/09	Diesel	FWD	1997	100	136	05.04-10.10		■
2.0 HDi (6DRHRH) (RHR (DW10BTED4))	-12/09	Diesel	FWD	1997	103	140	06.09-12.10		■
2.0 HDi (6DRHRH) (RHR (DW10BTED4))	-12/09	Diesel	FWD	1997	103	140	06.09-12.10		■
407 SW (6E_, 6D_) 05.04-						Estate (Large family car-D Segment)			
1.8 (6FZ (EW7J4))		Gasolina	FWD	1749	85	116	05.04-07.05		■

LISTA DE APLICACIONES - BUYERS GUIDE

1.8 (6FZ (EW7J4))		Gasolina	FWD	1749	85	116	05.04-07.05	■
1.8 16V (6FY (EW7A))	-12/09	Gasolina	FWD	1749	92	125	08.05-12.10	■
1.8 16V (6FY (EW7A))	-12/09	Gasolina	FWD	1749	92	125	08.05-12.10	■
2.0 (RFN (EW10J4))		Gasolina	FWD	1997	100	136	05.04-07.05	■
2.0 (RFN (EW10J4))		Gasolina	FWD	1997	100	136	05.04-07.05	■
2.0 16V (RFJ (EW10A))	-12/09	Gasolina	FWD	1997	103	140	08.05-12.10	■
2.0 16V (RFJ (EW10A))	-12/09	Gasolina	FWD	1997	103	140	08.05-12.10	■
2.0 Bioflex (RFJ (EW10A))	-12/09	Gasol./Etanol	FWD	1997	103	140	01.08-12.10	■
2.0 Bioflex (RFJ (EW10A))	-12/09	Gasol./Etanol	FWD	1997	103	140	01.08-12.10	■
1.6 HDi 110 (9HZ (DV6TED4))	-12/09	Diesel	FWD	1560	80	109	05.04-12.10	■
1.6 HDi 110 (9HZ (DV6TED4))	-12/09	Diesel	FWD	1560	80	109	05.04-12.10	■
2.0 HDi 135 (RHR (DW10BTED4))	-12/09	Diesel	FWD	1997	100	136	07.04-12.10	■
2.0 HDi 135 (RHR (DW10BTED4))	-12/09	Diesel	FWD	1997	100	136	07.04-12.10	■
2.0 HDi (RHR (DW10BTED4))	-12/09	Diesel	FWD	1997	103	140	08.08-12.10	■
2.0 HDi (RHR (DW10BTED4))	-12/09	Diesel	FWD	1997	103	140	08.08-12.10	■