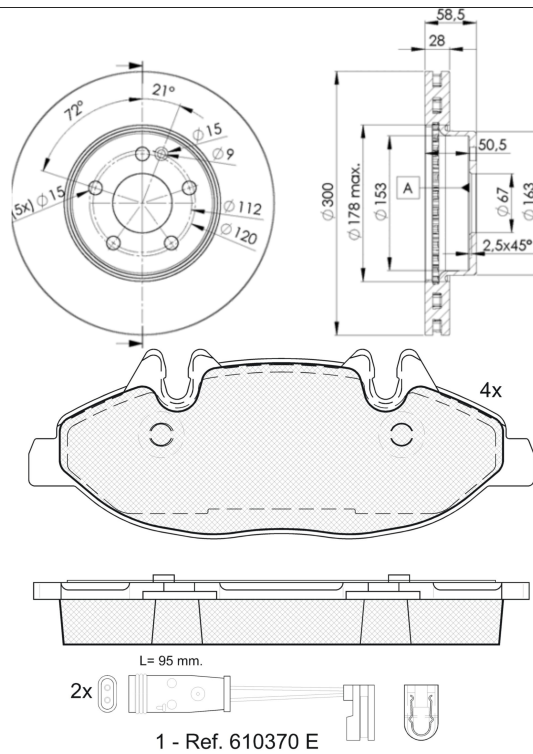


LISTA DE APLICACIONES - BUYERS GUIDE

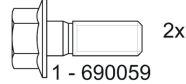
31675-0415



Weight: 20.576



181675-701



31675-0415



Bosch

164.8x61.8x20.9
Ø300x28x58.5

WVA
24007
MAKE
MERCEDES-BENZ



Trac. CC Kw CV



MERCEDES-BENZ

VIANO II (W639) 09.03-								Bus (Minibus-M2-Segment)			
3.2 (639.711, 639.811, 639.813) (M 112.951)	-12/08	Gasolina	RWD	3199	140	190	09.03-	■			
3.2 (639.711, 639.811, 639.813) (M 112.951)	-12/08	Gasolina	RWD	3199	140	190	09.03-	■			
3.2 (639.713, 639.813, 639.815) (M 112.951)	-12/08	Gasolina	RWD	3199	160	218	09.03-	■			
3.2 (639.713, 639.813, 639.815) (M 112.951)	-12/08	Gasolina	RWD	3199	160	218	09.03-	■			
3.5 (639.811, 639.813, 639.815) (M 272.978)	-12/08	Gasolina	RWD	3498	190	258	09.07-	■			
3.5 (639.811, 639.813, 639.815) (M 272.978)	-12/08	Gasolina	RWD	3498	190	258	09.07-	■			
3.7 (639.815) (M 112.976)	01/05-	Gasolina	RWD	3724	170	231	06.04-	■			
3.7 (639.815) (M 112.976)	01/05-	Gasolina	RWD	3724	170	231	06.04-	■			
CDI 2.2 (639.711, 639.713, 639.811, 639.813, 639.815) (OM 646.982)	-12/08	Diesel	RWD	2148	80	109	09.03-	■			
CDI 2.2 (639.711, 639.713, 639.811, 639.813, 639.815) (OM 646.982)	-12/08	Diesel	RWD	2148	80	109	09.03-	■			
CDI 2.2 4-matic (639.713) (OM 646.982)	-12/08	Diesel	4WD	2148	80	109	07.05-	■			
CDI 2.2 4-matic (639.713) (OM 646.982)	-12/08	Diesel	4WD	2148	80	109	07.05-	■			
CDI 2.2 (639.711, 639.713, 639.811, 639.813, 639.815) (OM 646.982)	-12/08	Diesel	RWD	2148	85	116	08.05-	■			
CDI 2.2 (639.711, 639.713, 639.811, 639.813, 639.815) (OM 646.982)	-12/08	Diesel	RWD	2148	85	116	08.05-	■			
CDI 2.2 (639.711, 639.713, 639.811, 639.813, 639.815) (OM 646.980)	-12/08	Diesel	RWD	2148	110	150	09.03-	■			
CDI 2.2 (639.711, 639.713, 639.811, 639.813, 639.815) (OM 646.980)	-12/08	Diesel	RWD	2148	110	150	09.03-	■			
CDI 2.2 (639.711, 639.713, 639.811, 639.813, 639.815) (OM 646.982)	-12/08	Diesel	RWD	2148	110	150	09.03-	■			
CDI 2.2 (639.711, 639.713, 639.811, 639.813, 639.815) (OM 646.982)	-12/08	Diesel	RWD	2148	110	150	09.03-	■			
CDI 2.2 4-matic (639.713) (OM 646.982)	-12/08	Diesel	4WD	2148	110	150	07.05-	■			

LISTA DE APLICACIONES - BUYERS GUIDE

CDI 2.2 4-matic (639.713) (OM 646.982)	-12/08	Diesel	4WD	2148	110	150	07.05-	■
CDI 3.0 (639.811, 639.813, 639.815) (OM 642.990)	-12/08	Diesel	RWD	2987	150	204	02.06-	■
CDI 3.0 (639.811, 639.813, 639.815) (OM 642.990)	-12/08	Diesel	RWD	2987	150	204	02.06-	■
VITO II (W639) 09.03-				Bus (Minibus-M2-Segment)				
119 (639.701, 639.703, 639.705) (M 112.951)	-12/08	Gasolina	RWD	3199	140	190	09.03-	■
119 (639.701, 639.703, 639.705) (M 112.951)	-12/08	Gasolina	RWD	3199	140	190	09.03-	■
122 (639.701, 639.703, 639.705) (M 112.951)	-12/08	Gasolina	RWD	3199	160	218	09.03-	■
122 (639.701, 639.703, 639.705) (M 112.951)	-12/08	Gasolina	RWD	3199	160	218	09.03-	■
126 (639.701, 639.703, 639.705) (M 272.978)	-12/08	Gasolina	RWD	3498	190	258	09.07-	■
126 (639.701, 639.703, 639.705) (M 272.978)	-12/08	Gasolina	RWD	3498	190	258	09.07-	■
123 (639.701) (M 112.976)	01/05-	Gasolina	RWD	3724	170	231	06.04-07.08	■
123 (639.701) (M 112.976)	01/05-	Gasolina	RWD	3724	170	231	06.04-07.08	■
109 CDI (639.701, 639.703, 639.705) (OM 646.983)	-12/08	Diesel	RWD	2148	65	88	09.03-	■
109 CDI (639.701, 639.703, 639.705) (OM 646.983)	-12/08	Diesel	RWD	2148	65	88	09.03-	■
109 CDI (639.701, 639.703, 639.705) (OM 646.980)	-12/08	Diesel	RWD	2148	70	95	09.06-	■
109 CDI (639.701, 639.703, 639.705) (OM 646.980)	-12/08	Diesel	RWD	2148	70	95	09.06-	■
109 CDI 4x4 (639.701) (OM 646.981)	-12/08	Diesel	4WD	2148	70	95	09.07-08.14	■
109 CDI 4x4 (639.701) (OM 646.981)	-12/08	Diesel	4WD	2148	70	95	09.07-08.14	■
111 CDI (639.701, 639.703, 639.705) (OM 646.982)	-12/08	Diesel	RWD	2148	80	109	09.03-	■
111 CDI (639.701, 639.703, 639.705) (OM 646.982)	-12/08	Diesel	RWD	2148	80	109	09.03-	■
111 CDI 4x4 (639.701, 639.703, 639.705) (OM 646.982)	-12/08	Diesel	4WD	2148	80	109	09.07-08.14	■
111 CDI 4x4 (639.701, 639.703, 639.705) (OM 646.982)	-12/08	Diesel	4WD	2148	80	109	09.07-08.14	■
111 CDI (639.701, 639.703, 639.705) (OM 646.980)	-12/08	Diesel	RWD	2148	85	116	09.07-	■
111 CDI (639.701, 639.703, 639.705) (OM 646.980)	-12/08	Diesel	RWD	2148	85	116	09.07-	■
115 CDI (639.701, 639.703, 639.705) (OM 646.980)	-12/08	Diesel	RWD	2148	110	150	09.03-	■
115 CDI (639.701, 639.703, 639.705) (OM 646.980)	-12/08	Diesel	RWD	2148	110	150	09.03-	■
115 CDI (639.701, 639.703, 639.705) (OM 646.982)	-12/08	Diesel	RWD	2148	110	150	09.03-	■
115 CDI (639.701, 639.703, 639.705) (OM 646.982)	-12/08	Diesel	RWD	2148	110	150	09.03-	■
115 CDI 4x4 (639.701, 639.705) (OM 646.982)	-12/08	Diesel	4WD	2148	110	150	09.07-08.14	■
115 CDI 4x4 (639.701, 639.705) (OM 646.982)	-12/08	Diesel	4WD	2148	110	150	09.07-08.14	■
120 CDI (639.701, 639.703, 639.705) (OM 642.990)	-12/08	Diesel	RWD	2987	150	204	07.06-	■
120 CDI (639.701, 639.703, 639.705) (OM 642.990)	-12/08	Diesel	RWD	2987	150	204	07.06-	■
VITO II / MIXTO (W639) 08.03-				Van (LCVs-N1 Segment)				
119 (639.601, 639.603, 639.605) (M 112.951)	-12/08	Gasolina	RWD	3199	140	190	09.03-07.08	■
119 (639.601, 639.603, 639.605) (M 112.951)	-12/08	Gasolina	RWD	3199	140	190	09.03-07.08	■
122 (639.601, 639.603, 639.605) (M 112.951)	-12/08	Gasolina	RWD	3199	160	218	09.03-09.04	■
122 (639.601, 639.603, 639.605) (M 112.951)	-12/08	Gasolina	RWD	3199	160	218	09.03-09.04	■
126 (639.601, 639.603, 639.605) (M 272.978)	-12/08	Gasolina	RWD	3498	190	258	09.07-08.14	■
126 (639.601, 639.603, 639.605) (M 272.978)	-12/08	Gasolina	RWD	3498	190	258	09.07-08.14	■
123 (639.601) (M 112.976)		Gasolina	RWD	3724	170	231	06.04-07.08	■
123 (639.601) (M 112.976)		Gasolina	RWD	3724	170	231	06.04-07.08	■
E-CELL (639.601, 639.603, 639.605) (EM 780.994)		Eléctrico	FWD		60	82	01.11-08.14	■

LISTA DE APLICACIONES - BUYERS GUIDE

E-CELL (639.601, 639.603, 639.605) (EM 780.994)		Eléctrico	FWD		60	82	01.11-08.14	■
109 CDI (639.601, 639.603, 639.605) (OM 646.983)	-12/08	Diesel	RWD	2148	65	88	09.03-07.06	■
109 CDI (639.601, 639.603, 639.605) (OM 646.983)	-12/08	Diesel	RWD	2148	65	88	09.03-07.06	■
109 CDI (639.601, 639.603, 639.605) (OM 646.980)	-12/08	Diesel	RWD	2148	70	95	08.06-08.14	■
109 CDI (639.601, 639.603, 639.605) (OM 646.980)	-12/08	Diesel	RWD	2148	70	95	08.06-08.14	■
109 CDI (639.601, 639.603, 639.605) (OM 646.981)	-12/08	Diesel	RWD	2148	70	95	08.06-08.14	■
109 CDI (639.601, 639.603, 639.605) (OM 646.981)	-12/08	Diesel	RWD	2148	70	95	08.06-08.14	■
111 CDI (639.601, 639.603, 639.605) (OM 646.982)	-12/08	Diesel	RWD	2148	80	109	09.03-08.07	■
111 CDI (639.601, 639.603, 639.605) (OM 646.982)	-12/08	Diesel	RWD	2148	80	109	09.03-08.07	■
111 CDI 4x4 (639.601, 639.603, 639.605) (OM 646.982)	-12/08	Diesel	4WD	2148	80	109	09.07-08.14	■
111 CDI 4x4 (639.601, 639.603, 639.605) (OM 646.982)	-12/08	Diesel	4WD	2148	80	109	09.07-08.14	■
111 CDI (639.601, 639.603, 639.605) (OM 646.980)	-12/08	Diesel	RWD	2148	85	116	09.07-08.14	■
111 CDI (639.601, 639.603, 639.605) (OM 646.980)	-12/08	Diesel	RWD	2148	85	116	09.07-08.14	■
111 CDI (639.601, 639.603, 639.605) (OM 646.982)	-12/08	Diesel	RWD	2148	85	116	09.07-08.14	■
111 CDI (639.601, 639.603, 639.605) (OM 646.982)	-12/08	Diesel	RWD	2148	85	116	09.07-08.14	■
111 CDI (639.601, 639.603, 639.605) (OM 646.982)	-12/08	Diesel	RWD	2148	85	116	09.07-08.14	■
115 CDI (639.601, 639.603, 639.605) (OM 646.980)	-12/08	Diesel	RWD	2148	110	150	09.03-08.14	■
115 CDI (639.601, 639.603, 639.605) (OM 646.980)	-12/08	Diesel	RWD	2148	110	150	09.03-08.14	■
115 CDI (639.601, 639.603, 639.605) (OM 646.982)	-12/08	Diesel	RWD	2148	110	150	09.03-08.14	■
115 CDI (639.601, 639.603, 639.605) (OM 646.982)	-12/08	Diesel	RWD	2148	110	150	09.03-08.14	■
115 CDI 4x4 (639.601, 639.603, 639.605) (OM 646.982)	-12/08	Diesel	4WD	2148	110	150	07.06-08.14	■
115 CDI 4x4 (639.601, 639.603, 639.605) (OM 646.982)	-12/08	Diesel	4WD	2148	110	150	07.06-08.14	■
120 CDI (639.601, 639.603, 639.605) (OM 642.990)	-12/08	Diesel	RWD	2987	150	204	03.06-08.14	■
120 CDI (639.601, 639.603, 639.605) (OM 642.990)	-12/08	Diesel	RWD	2987	150	204	03.06-08.14	■
122 CDI (639.601, 639.603, 639.605) (OM 642.890)		Diesel	RWD	2987	165	224	09.10-08.14	■
122 CDI (639.601, 639.603, 639.605) (OM 642.890)		Diesel	RWD	2987	165	224	09.10-08.14	■