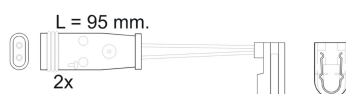
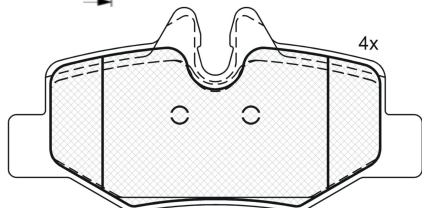
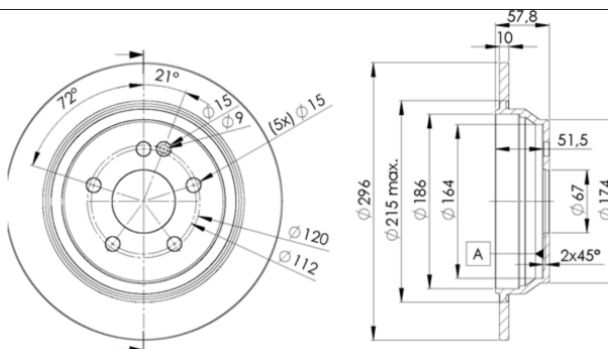


LISTA DE APLICACIONES - BUYERS GUIDE

31676-0416



Weight: 11.900



1-Ref. 610370 E

181676-701



2x

1 - 690059

31676-0416



Bosch

101.8x50.3x18.4

Ø296x10x57.8

WVA

24008

MAKE

MERCEDES-BENZ



Trac.	CC	Kw	CV
-------	----	----	----



Front / Rear

MERCEDES-BENZ

VIANO II (W639) 09.03-

Bus (Minibus-M2-Segment)

Model	Trac.	CC	Kw	CV	Year	Front	Rear
3.2 (639.711, 639.811, 639.813) (M 112.951)	RWD	3199	140	190	09.03-	■	■
3.2 (639.711, 639.811, 639.813) (M 112.951)	RWD	3199	140	190	09.03-	■	■
3.2 (639.713, 639.813, 639.815) (M 112.951)	RWD	3199	160	218	09.03-	■	■
3.2 (639.713, 639.813, 639.815) (M 112.951)	RWD	3199	160	218	09.03-	■	■
3.5 (639.811, 639.813, 639.815) (M 272.978)	RWD	3498	190	258	09.07-	■	■
3.5 (639.811, 639.813, 639.815) (M 272.978)	RWD	3498	190	258	09.07-	■	■
3.7 (639.815) (M 112.976)	RWD	3724	170	231	06.04-	■	■
3.7 (639.815) (M 112.976)	RWD	3724	170	231	06.04-	■	■
CDI 2.2 (639.711, 639.713, 639.811, 639.813, 639.815) (OM 646.982)	RWD	2148	80	109	09.03-	■	■
CDI 2.2 (639.711, 639.713, 639.811, 639.813, 639.815) (OM 646.982)	RWD	2148	80	109	09.03-	■	■
CDI 2.2 4-matic (639.713) (OM 646.982)	4WD	2148	80	109	07.05-	■	■
CDI 2.2 4-matic (639.713) (OM 646.982)	4WD	2148	80	109	07.05-	■	■
CDI 2.2 (639.711, 639.713, 639.811, 639.813, 639.815) (OM 646.982)	RWD	2148	85	116	08.05-	■	■
CDI 2.2 (639.711, 639.713, 639.811, 639.813, 639.815) (OM 646.982)	RWD	2148	85	116	08.05-	■	■
CDI 2.2 (639.711, 639.713, 639.811, 639.813, 639.815) (OM 646.980)	RWD	2148	110	150	09.03-	■	■
CDI 2.2 (639.711, 639.713, 639.811, 639.813, 639.815) (OM 646.980)	RWD	2148	110	150	09.03-	■	■
CDI 2.2 (639.711, 639.713, 639.811, 639.813, 639.815) (OM 646.982)	RWD	2148	110	150	09.03-	■	■
CDI 2.2 (639.711, 639.713, 639.811, 639.813, 639.815) (OM 646.982)	RWD	2148	110	150	09.03-	■	■
CDI 2.2 4-matic (639.713) (OM 646.982)	4WD	2148	110	150	07.05-	■	■

LISTA DE APLICACIONES - BUYERS GUIDE

CDI 2.2 4-matic (639.713) (OM 646.982)		Diesel	4WD	2148	110	150	07.05-	■	
CDI 3.0 (639.811, 639.813, 639.815) (OM 642.990)		Diesel	RWD	2987	150	204	02.06-	■	
CDI 3.0 (639.811, 639.813, 639.815) (OM 642.990)		Diesel	RWD	2987	150	204	02.06-	■	
VITO II (W639) 09.03-					Bus (Minibus-M2-Segment)				
119 (639.701, 639.703, 639.705) (M 112.951)		Gasolina	RWD	3199	140	190	09.03-	■	
119 (639.701, 639.703, 639.705) (M 112.951)		Gasolina	RWD	3199	140	190	09.03-	■	
122 (639.701, 639.703, 639.705) (M 112.951)		Gasolina	RWD	3199	160	218	09.03-	■	
122 (639.701, 639.703, 639.705) (M 112.951)		Gasolina	RWD	3199	160	218	09.03-	■	
126 (639.701, 639.703, 639.705) (M 272.978)		Gasolina	RWD	3498	190	258	09.07-	■	
126 (639.701, 639.703, 639.705) (M 272.978)		Gasolina	RWD	3498	190	258	09.07-	■	
123 (639.701) (M 112.976)	01/05-	Gasolina	RWD	3724	170	231	06.04-07.08	■	
123 (639.701) (M 112.976)	01/05-	Gasolina	RWD	3724	170	231	06.04-07.08	■	
109 CDI (639.701, 639.703, 639.705) (OM 646.983)		Diesel	RWD	2148	65	88	09.03-	■	
109 CDI (639.701, 639.703, 639.705) (OM 646.983)		Diesel	RWD	2148	65	88	09.03-	■	
109 CDI (639.701, 639.703, 639.705) (OM 646.980)		Diesel	RWD	2148	70	95	09.06-	■	
109 CDI (639.701, 639.703, 639.705) (OM 646.980)		Diesel	RWD	2148	70	95	09.06-	■	
109 CDI 4x4 (639.701) (OM 646.981)		Diesel	4WD	2148	70	95	09.07-08.14	■	
109 CDI 4x4 (639.701) (OM 646.981)		Diesel	4WD	2148	70	95	09.07-08.14	■	
111 CDI (639.701, 639.703, 639.705) (OM 646.982)		Diesel	RWD	2148	80	109	09.03-	■	
111 CDI (639.701, 639.703, 639.705) (OM 646.982)		Diesel	RWD	2148	80	109	09.03-	■	
111 CDI 4x4 (639.701, 639.703, 639.705) (OM 646.982)		Diesel	4WD	2148	80	109	09.07-08.14	■	
111 CDI 4x4 (639.701, 639.703, 639.705) (OM 646.982)		Diesel	4WD	2148	80	109	09.07-08.14	■	
111 CDI (639.701, 639.703, 639.705) (OM 646.980)		Diesel	RWD	2148	85	116	09.07-	■	
111 CDI (639.701, 639.703, 639.705) (OM 646.980)		Diesel	RWD	2148	85	116	09.07-	■	
115 CDI (639.701, 639.703, 639.705) (OM 646.980)		Diesel	RWD	2148	110	150	09.03-	■	
115 CDI (639.701, 639.703, 639.705) (OM 646.980)		Diesel	RWD	2148	110	150	09.03-	■	
115 CDI (639.701, 639.703, 639.705) (OM 646.982)		Diesel	RWD	2148	110	150	09.03-	■	
115 CDI (639.701, 639.703, 639.705) (OM 646.982)		Diesel	RWD	2148	110	150	09.03-	■	
115 CDI 4x4 (639.701, 639.705) (OM 646.982)		Diesel	4WD	2148	110	150	09.07-08.14	■	
115 CDI 4x4 (639.701, 639.705) (OM 646.982)		Diesel	4WD	2148	110	150	09.07-08.14	■	
120 CDI (639.701, 639.703, 639.705) (OM 642.990)		Diesel	RWD	2987	150	204	07.06-	■	
120 CDI (639.701, 639.703, 639.705) (OM 642.990)		Diesel	RWD	2987	150	204	07.06-	■	
VITO II / MIXTO (W639) 08.03-					Van (LCVs-N1 Segment)				
119 (639.601, 639.603, 639.605) (M 112.951)		Gasolina	RWD	3199	140	190	09.03-07.08	■	
119 (639.601, 639.603, 639.605) (M 112.951)		Gasolina	RWD	3199	140	190	09.03-07.08	■	
122 (639.601, 639.603, 639.605) (M 112.951)		Gasolina	RWD	3199	160	218	09.03-09.04	■	
122 (639.601, 639.603, 639.605) (M 112.951)		Gasolina	RWD	3199	160	218	09.03-09.04	■	
126 (639.601, 639.603, 639.605) (M 272.978)		Gasolina	RWD	3498	190	258	09.07-08.14	■	
126 (639.601, 639.603, 639.605) (M 272.978)		Gasolina	RWD	3498	190	258	09.07-08.14	■	
123 (639.601) (M 112.976)		Gasolina	RWD	3724	170	231	06.04-07.08	■	
123 (639.601) (M 112.976)		Gasolina	RWD	3724	170	231	06.04-07.08	■	
E-CELL (639.601, 639.603, 639.605) (EM 780.994)		Eléctrico	FWD		60	82	01.11-08.14	■	

LISTA DE APLICACIONES - BUYERS GUIDE

E-CELL (639.601, 639.603, 639.605) (EM 780.994)	Eléctrico	FWD		60	82	01.11-08.14	■
109 CDI (639.601, 639.603, 639.605) (OM 646.983)	Diesel	RWD	2148	65	88	09.03-07.06	■
109 CDI (639.601, 639.603, 639.605) (OM 646.983)	Diesel	RWD	2148	65	88	09.03-07.06	■
109 CDI (639.601, 639.603, 639.605) (OM 646.980)	Diesel	RWD	2148	70	95	08.06-08.14	■
109 CDI (639.601, 639.603, 639.605) (OM 646.980)	Diesel	RWD	2148	70	95	08.06-08.14	■
109 CDI (639.601, 639.603, 639.605) (OM 646.981)	Diesel	RWD	2148	70	95	08.06-08.14	■
109 CDI (639.601, 639.603, 639.605) (OM 646.981)	Diesel	RWD	2148	70	95	08.06-08.14	■
111 CDI (639.601, 639.603, 639.605) (OM 646.982)	Diesel	RWD	2148	80	109	09.03-08.07	■
111 CDI (639.601, 639.603, 639.605) (OM 646.982)	Diesel	RWD	2148	80	109	09.03-08.07	■
111 CDI 4x4 (639.601, 639.603, 639.605) (OM 646.982)	Diesel	4WD	2148	80	109	09.07-08.14	■
111 CDI 4x4 (639.601, 639.603, 639.605) (OM 646.982)	Diesel	4WD	2148	80	109	09.07-08.14	■
111 CDI (639.601, 639.603, 639.605) (OM 646.980)	Diesel	RWD	2148	85	116	09.07-08.14	■
111 CDI (639.601, 639.603, 639.605) (OM 646.980)	Diesel	RWD	2148	85	116	09.07-08.14	■
111 CDI (639.601, 639.603, 639.605) (OM 646.982)	Diesel	RWD	2148	85	116	09.07-08.14	■
111 CDI (639.601, 639.603, 639.605) (OM 646.982)	Diesel	RWD	2148	85	116	09.07-08.14	■
111 CDI (639.601, 639.603, 639.605) (OM 646.982)	Diesel	RWD	2148	85	116	09.07-08.14	■
115 CDI (639.601, 639.603, 639.605) (OM 646.980)	Diesel	RWD	2148	110	150	09.03-08.14	■
115 CDI (639.601, 639.603, 639.605) (OM 646.980)	Diesel	RWD	2148	110	150	09.03-08.14	■
115 CDI (639.601, 639.603, 639.605) (OM 646.982)	Diesel	RWD	2148	110	150	09.03-08.14	■
115 CDI (639.601, 639.603, 639.605) (OM 646.982)	Diesel	RWD	2148	110	150	09.03-08.14	■
115 CDI 4x4 (639.601, 639.603, 639.605) (OM 646.982)	Diesel	4WD	2148	110	150	07.06-08.14	■
115 CDI 4x4 (639.601, 639.603, 639.605) (OM 646.982)	Diesel	4WD	2148	110	150	07.06-08.14	■
120 CDI (639.601, 639.603, 639.605) (OM 642.990)	Diesel	RWD	2987	150	204	03.06-08.14	■
120 CDI (639.601, 639.603, 639.605) (OM 642.990)	Diesel	RWD	2987	150	204	03.06-08.14	■
122 CDI (639.601, 639.603, 639.605) (OM 642.890)	Diesel	RWD	2987	165	224	09.10-08.14	■
122 CDI (639.601, 639.603, 639.605) (OM 642.890)	Diesel	RWD	2987	165	224	09.10-08.14	■