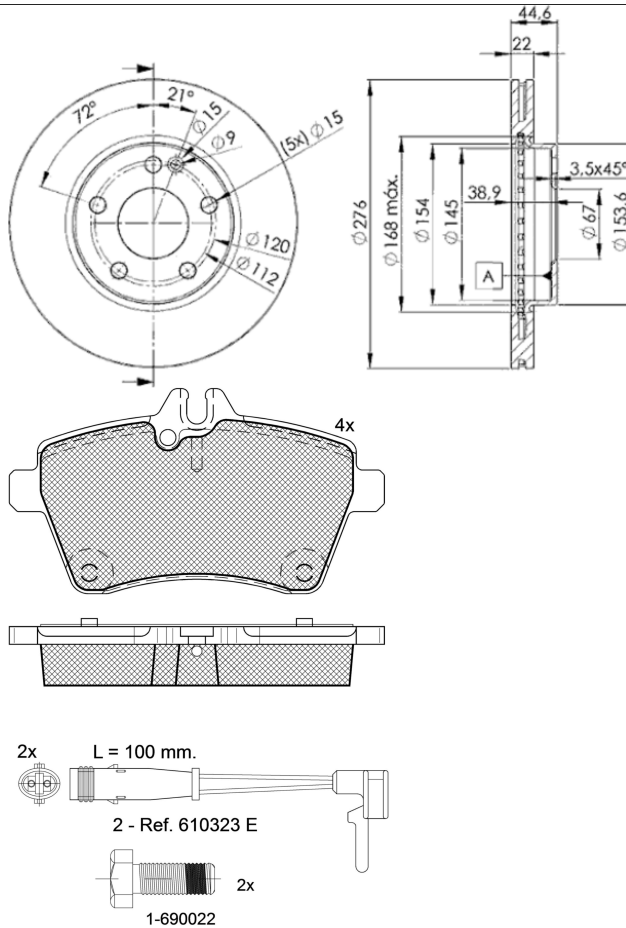


LISTA DE APLICACIONES - BUYERS GUIDE

31678-0111



Weight: 14.095



31678-0111



Trw

116.5x63.8x19
Ø276x22x44.6

WVA
24077

MAKE
MERCEDES-BENZ



Trac.	CC	Kw	CV
-------	----	----	----



Front / Rear

MERCEDES-BENZ

	Hatchback (Compact car-C Segment)
A-Class II (W169) 04.04-12.13	
A 170 (169.032, 169.332) (M 266.940)	Gasolina FWD 1699 85 116 09.04-06.12 ■
A 170 (169.032, 169.332) (M 266.940)	Gasolina FWD 1699 85 116 09.04-06.12 ■
A 200 (169.033, 169.333) (M 266.960)	Gasolina FWD 2034 100 136 09.04-06.12 ■
A 200 (169.033, 169.333) (M 266.960)	Gasolina FWD 2034 100 136 09.04-06.12 ■
A 180 CDI (169.007, 169.307) (OM 640.940)	Diesel FWD 1991 80 109 09.04-06.12 ■
A 180 CDI (169.007, 169.307) (OM 640.940)	Diesel FWD 1991 80 109 09.04-06.12 ■
B-Class Sports Tourer (W245) 03.05-11.11	Hatchback (Compact MPV-M1 Segment)
B 150 (245.231) (M 266.920)	Gasolina FWD 1498 70 95 03.05-11.11 ■
B 150 (245.231) (M 266.920)	Gasolina FWD 1498 70 95 03.05-11.11 ■
B 170 (245.232) (M 266.940)	Gasolina FWD 1699 85 116 03.05-11.11 ■
B 170 (245.232) (M 266.940)	Gasolina FWD 1699 85 116 03.05-11.11 ■