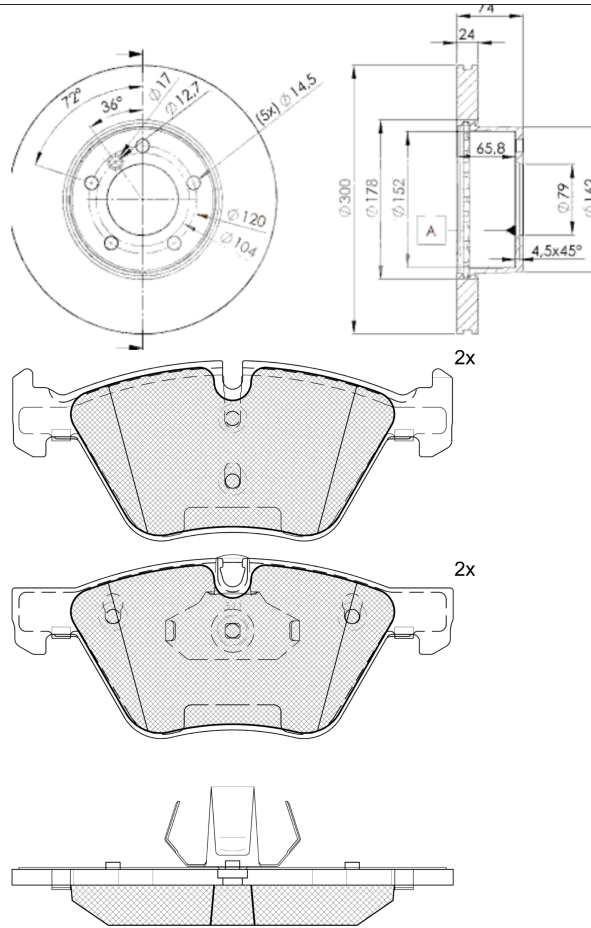


LISTA DE APLICACIONES - BUYERS GUIDE

31683-3405



Weight: 18.480



31683-3405



Ate - Teves

154.5x63.4x20.3
Ø300x24x74

WVA

23794

23968

MAKE

BMW



Trac.	CC	Kw	CV
-------	----	----	----



Front / Rear

BMW

1 Serie (E82) 10.06-10.13

Coupe (Compact car-C Segment)

Model	Engine	Drivetrain	Year	CC	Kw	CV	Period	Availability
120 i (N43 B20 A)	Gasolina	RWD	1995	125	170	170	10.07-10.13	■
120 i (N43 B20 A)	Gasolina	RWD	1995	125	170	170	10.07-10.13	■
120 d (N47 D20 A)	Diesel	RWD	1995	120	163	163	09.07-10.13	■
120 d (N47 D20 A)	Diesel	RWD	1995	120	163	163	09.07-10.13	■
120 d (N47 D20 C)	Diesel	RWD	1995	120	163	163	09.07-10.13	■
120 d (N47 D20 C)	Diesel	RWD	1995	120	163	163	09.07-10.13	■
120 d (N47 D20 A)	Diesel	RWD	1995	130	177	177	09.07-10.13	■
120 d (N47 D20 A)	Diesel	RWD	1995	130	177	177	09.07-10.13	■
120 d (N47 D20 C)	Diesel	RWD	1995	130	177	177	09.07-10.13	■
120 d (N47 D20 C)	Diesel	RWD	1995	130	177	177	09.07-10.13	■
120 d (N47 D20 A)	Diesel	RWD	1995	145	197	197	09.07-10.13	■
120 d (N47 D20 A)	Diesel	RWD	1995	145	197	197	09.07-10.13	■
120 d (N47 D20 C)	Diesel	RWD	1995	145	197	197	09.07-10.13	■
120 d (N47 D20 C)	Diesel	RWD	1995	145	197	197	09.07-10.13	■

1 Serie (E81) 09.06-09.12

Hatchback (Compact car-C Segment)

Model	Engine	Drivetrain	Year	CC	Kw	CV	Period	Availability
120 i (N43 B20 A)	Gasolina	RWD	1995	125	170	170	03.07-09.12	■
120 i (N43 B20 A)	Gasolina	RWD	1995	125	170	170	03.07-09.12	■
120 d (N47 D20 A)	Diesel	RWD	1995	130	177	177	03.07-12.11	■
120 d (N47 D20 A)	Diesel	RWD	1995	130	177	177	03.07-12.11	■
120 d (N47 D20 C)	Diesel	RWD	1995	130	177	177	03.07-12.11	■
120 d (N47 D20 C)	Diesel	RWD	1995	130	177	177	03.07-12.11	■

LISTA DE APLICACIONES - BUYERS GUIDE

3 Serie V (E93) 05.06-12.13					Convertible (Compact executive car-D Segment)			
318i (N43 B20 A)		Gasolina	RWD	1995	105	143	03.10-12.13	■
318i (N43 B20 A)		Gasolina	RWD	1995	105	143	03.10-12.13	■
320i (N43 B20 A)		Gasolina	RWD	1995	125	170	03.07-10.13	■
320i (N43 B20 A)		Gasolina	RWD	1995	125	170	03.07-10.13	■
3 Serie V (E92) 01.05-12.13					Coupe (Compact executive car-D Segment)			
318i (N43 B20 A)		Gasolina	RWD	1995	105	143	03.10-12.13	■
318i (N43 B20 A)		Gasolina	RWD	1995	105	143	03.10-12.13	■
320i		Gasolina	RWD	1995	110	150	11.06-06.07	■
320i		Gasolina	RWD	1995	110	150	11.06-06.07	■
320i (N43 B20 A)		Gasolina	RWD	1995	125	170	03.07-06.13	■
320i (N43 B20 A)		Gasolina	RWD	1995	125	170	03.07-06.13	■
323 i		Gasolina	FWD	2497	130	177	04.06-02.12	■
323 i		Gasolina	FWD	2497	130	177	04.06-02.12	■
325i (N52 B25 A)		Gasolina	RWD	2497	160	218	06.06-02.10	■
325i (N52 B25 A)		Gasolina	RWD	2497	160	218	06.06-02.10	■
325i (N52 B25 AF)		Gasolina	RWD	2497	160	218	06.06-02.10	■
325i (N52 B25 AF)		Gasolina	RWD	2497	160	218	06.06-02.10	■
325i (N52 B25 BF)		Gasolina	RWD	2497	160	218	06.06-02.10	■
325i (N52 B25 BF)		Gasolina	RWD	2497	160	218	06.06-02.10	■
325i (N53 B30 A)		Gasolina	RWD	2996	160	218	09.07-06.13	■
325i (N53 B30 A)		Gasolina	RWD	2996	160	218	09.07-06.13	■
328i (N51 B30 A)		Gasolina	RWD	2996	172	234	06.06-06.13	■
328i (N51 B30 A)		Gasolina	RWD	2996	172	234	06.06-06.13	■
328i (N52 B30 A)		Gasolina	RWD	2996	172	234	06.06-06.13	■
328i (N52 B30 A)		Gasolina	RWD	2996	172	234	06.06-06.13	■
328 xi (N51 B30, N52 B30 A)		Gasolina	4WD	2996	172	234	09.06-08.08	■
328 xi (N51 B30, N52 B30 A)		Gasolina	4WD	2996	172	234	09.06-08.08	■
3 Serie V (E90) 02.04-12.13					Saloon (Compact executive car-D Segment)			
316 i (N43 B16 A)		Gasolina	RWD	1599	90	122	09.07-10.11	■
316 i (N43 B16 A)		Gasolina	RWD	1599	90	122	09.07-10.11	■
316 i (N43 B16 AA)		Gasolina	RWD	1599	90	122	09.07-10.11	■
316 i (N43 B16 AA)		Gasolina	RWD	1599	90	122	09.07-10.11	■
318i (N46 B20 B)		Gasolina	RWD	1995	95	129	09.05-08.07	■
318i (N46 B20 B)		Gasolina	RWD	1995	95	129	09.05-08.07	■
318i (N46 B20 B)		Gasolina	RWD	1995	100	136	09.07-10.11	■
318i (N46 B20 B)		Gasolina	RWD	1995	100	136	09.07-10.11	■
318i (N46 B20 C)		Gasolina	RWD	1995	100	136	09.07-10.11	■
318i (N46 B20 C)		Gasolina	RWD	1995	100	136	09.07-10.11	■
318i (N46 B20 CC)		Gasolina	RWD	1995	100	136	09.07-10.11	■
318i (N46 B20 CC)		Gasolina	RWD	1995	100	136	09.07-10.11	■
318i (N46 B20 CD)		Gasolina	RWD	1995	100	136	09.07-10.11	■
318i (N46 B20 CD)		Gasolina	RWD	1995	100	136	09.07-10.11	■
318i (N46 B20 E)		Gasolina	RWD	1995	100	136	09.07-10.11	■
318i (N46 B20 E)		Gasolina	RWD	1995	100	136	09.07-10.11	■
318i (N43 B20 A)		Gasolina	RWD	1995	105	143	09.07-10.11	■
318i (N43 B20 A)		Gasolina	RWD	1995	105	143	09.07-10.11	■
320i (N46 B20 B)		Gasolina	RWD	1995	110	150	12.04-08.07	■
320i (N46 B20 B)		Gasolina	RWD	1995	110	150	12.04-08.07	■
320i (N46 B20 BD)		Gasolina	RWD	1995	110	150	12.04-08.07	■

LISTA DE APLICACIONES - BUYERS GUIDE

320i (N46 B20 BD)	Gasolina	RWD	1995	110	150	12.04-08.07	■
320i (N46 B20 C)	Gasolina	RWD	1995	110	150	12.04-08.07	■
320i (N46 B20 C)	Gasolina	RWD	1995	110	150	12.04-08.07	■
320i (N46 B20 CB)	Gasolina	RWD	1995	110	150	12.04-08.07	■
320i (N46 B20 CB)	Gasolina	RWD	1995	110	150	12.04-08.07	■
320i (N46 B20 B)	Gasolina	RWD	1995	115	156	02.07-12.11	■
320i (N46 B20 B)	Gasolina	RWD	1995	115	156	02.07-12.11	■
320i (N46 B20 C)	Gasolina	RWD	1995	115	156	02.07-12.11	■
320i (N46 B20 C)	Gasolina	RWD	1995	115	156	02.07-12.11	■
320i (N46 B20 CC)	Gasolina	RWD	1995	115	156	02.07-12.11	■
320i (N46 B20 CC)	Gasolina	RWD	1995	115	156	02.07-12.11	■
320i (N46 B20 CD)	Gasolina	RWD	1995	115	156	02.07-12.11	■
320i (N46 B20 CD)	Gasolina	RWD	1995	115	156	02.07-12.11	■
320i (N46 B20 E)	Gasolina	RWD	1995	115	156	02.07-12.11	■
320i (N46 B20 E)	Gasolina	RWD	1995	115	156	02.07-12.11	■
320i (N43 B20 A)	Gasolina	RWD	1995	120	163	03.07-12.11	■
320i (N43 B20 A)	Gasolina	RWD	1995	120	163	03.07-12.11	■
320i (N43 B20 A)	Gasolina	RWD	1995	125	170	09.07-10.11	■
320i (N43 B20 A)	Gasolina	RWD	1995	125	170	09.07-10.11	■
320 si (N45 B20 A)	Gasolina	RWD	1997	127	173	09.05-08.06	■
320 si (N45 B20 A)	Gasolina	RWD	1997	127	173	09.05-08.06	■
325i	Gasolina	FWD	2494	141	189	09.07-12.08	■
325i	Gasolina	FWD	2494	141	189	09.07-12.08	■
325i	Gasolina	FWD	2494	224	300	09.08-12.10	■
325i	Gasolina	FWD	2494	224	300	09.08-12.10	■
323 i (N52 B25 A)	Gasolina	RWD	2497	130	177	09.05-02.07	■
323 i (N52 B25 A)	Gasolina	RWD	2497	130	177	09.05-02.07	■
323 i (N52 B25 B)	Gasolina	RWD	2497	130	177	09.05-02.07	■
323 i (N52 B25 B)	Gasolina	RWD	2497	130	177	09.05-02.07	■
323 i (N52 B25 BE)	Gasolina	RWD	2497	130	177	09.05-02.07	■
323 i (N52 B25 BE)	Gasolina	RWD	2497	130	177	09.05-02.07	■
323 i (N52 B25 BF)	Gasolina	RWD	2497	130	177	09.05-02.07	■
323 i (N52 B25 BF)	Gasolina	RWD	2497	130	177	09.05-02.07	■
325i (N52 B25 A)	Gasolina	RWD	2497	155	211	01.06-12.11	■
325i (N52 B25 A)	Gasolina	RWD	2497	155	211	01.06-12.11	■
325i (N52 B25 A)	Gasolina	RWD	2497	160	218	12.04-12.11	■
325i (N52 B25 A)	Gasolina	RWD	2497	160	218	12.04-12.11	■
325i (N52 B25 B)	Gasolina	RWD	2497	160	218	12.04-12.11	■
325i (N52 B25 B)	Gasolina	RWD	2497	160	218	12.04-12.11	■
325i (N52 B25 BF)	Gasolina	RWD	2497	160	218	12.04-12.11	■
325i (N52 B25 BF)	Gasolina	RWD	2497	160	218	12.04-12.11	■
325 xi (N52 B25 A)	Gasolina	4WD	2497	160	218	09.05-08.08	■
325 xi (N52 B25 A)	Gasolina	4WD	2497	160	218	09.05-08.08	■
325i (N53 B30 A)	Gasolina	RWD	2996	160	218	03.07-12.11	■
325i (N53 B30 A)	Gasolina	RWD	2996	160	218	03.07-12.11	■
325 xi (N53 B30 A)	Gasolina	4WD	2996	160	218	09.07-08.08	■
325 xi (N53 B30 A)	Gasolina	4WD	2996	160	218	09.07-08.08	■
328i (N51 B30 A)	Gasolina	RWD	2996	172	234	09.06-12.11	■
328i (N51 B30 A)	Gasolina	RWD	2996	172	234	09.06-12.11	■
316 d (N47 D20 C)	Diesel	RWD	1995	85	116	07.09-12.11	■
316 d (N47 D20 C)	Diesel	RWD	1995	85	116	07.09-12.11	■

LISTA DE APLICACIONES - BUYERS GUIDE

318 d (M47 D20 (204D4))		Diesel	RWD	1995	90	122	03.05-08.07	■
318 d (M47 D20 (204D4))		Diesel	RWD	1995	90	122	03.05-08.07	■
318 d (N47 D20 A)		Diesel	RWD	1995	100	136	09.07-10.11	■
318 d (N47 D20 A)		Diesel	RWD	1995	100	136	09.07-10.11	■
318 d (N47 D20 C)		Diesel	RWD	1995	100	136	09.07-10.11	■
318 d (N47 D20 C)		Diesel	RWD	1995	100	136	09.07-10.11	■
318 d (N47 D20 A)		Diesel	RWD	1995	105	143	02.07-10.11	■
318 d (N47 D20 A)		Diesel	RWD	1995	105	143	02.07-10.11	■
318 d (N47 D20 C)		Diesel	RWD	1995	105	143	02.07-10.11	■
318 d (N47 D20 C)		Diesel	RWD	1995	105	143	02.07-10.11	■
320 d (M47 D20 (204D4))		Diesel	RWD	1995	110	150	12.04-09.07	■
320 d (M47 D20 (204D4))		Diesel	RWD	1995	110	150	12.04-09.07	■
320 d		Diesel	RWD	1995	115	156	12.04-09.07	■
320 d		Diesel	RWD	1995	115	156	12.04-09.07	■
320 d (M47 D20 (204D4))		Diesel	RWD	1995	120	163	12.04-10.11	■
320 d (M47 D20 (204D4))		Diesel	RWD	1995	120	163	12.04-10.11	■
320 d (N47 D20 A)		Diesel	RWD	1995	120	163	12.04-10.11	■
320 d (N47 D20 A)		Diesel	RWD	1995	120	163	12.04-10.11	■
320 d (N47 D20 C)		Diesel	RWD	1995	120	163	12.04-10.11	■
320 d (N47 D20 C)		Diesel	RWD	1995	120	163	12.04-10.11	■
3 Serie V Touring (E91) 12.04-12.12						Estate (Compact executive car-D Segment)		
316 i (N43 B16 AA)		Gasolina	RWD	1599	90	122	09.08-06.12	■
316 i (N43 B16 AA)		Gasolina	RWD	1599	90	122	09.08-06.12	■
318i (N46 B20 B)		Gasolina	RWD	1995	95	129	01.06-08.07	■
318i (N46 B20 B)		Gasolina	RWD	1995	95	129	01.06-08.07	■
318i (N46 B20 B)		Gasolina	RWD	1995	100	136	09.07-03.12	■
318i (N46 B20 B)		Gasolina	RWD	1995	100	136	09.07-03.12	■
318i (N43 B20 A)		Gasolina	RWD	1995	105	143	05.07-05.12	■
318i (N43 B20 A)		Gasolina	RWD	1995	105	143	05.07-05.12	■
320i (N46 B20 B)		Gasolina	RWD	1995	110	150	09.05-06.12	■
320i (N46 B20 B)		Gasolina	RWD	1995	110	150	09.05-06.12	■
320i (N46 B20 C)		Gasolina	RWD	1995	110	150	09.05-06.12	■
320i (N46 B20 C)		Gasolina	RWD	1995	110	150	09.05-06.12	■
323 i (N52 B25 A)		Gasolina	RWD	2497	130	177	04.06-06.07	■
323 i (N52 B25 A)		Gasolina	RWD	2497	130	177	04.06-06.07	■
323 i (N52 B25 A)		Gasolina	RWD	2497	140	190	09.06-07.08	■
323 i (N52 B25 A)		Gasolina	RWD	2497	140	190	09.06-07.08	■
325i (N52 B25 A)		Gasolina	RWD	2497	155	211	12.04-12.10	■
325i (N52 B25 A)		Gasolina	RWD	2497	155	211	12.04-12.10	■
325i (N52 B25 AF)		Gasolina	RWD	2497	155	211	12.04-12.10	■
325i (N52 B25 AF)		Gasolina	RWD	2497	155	211	12.04-12.10	■
325i (N52 B25 B)		Gasolina	RWD	2497	155	211	12.04-12.10	■
325i (N52 B25 B)		Gasolina	RWD	2497	155	211	12.04-12.10	■
325i (N52 B25 BF)		Gasolina	RWD	2497	155	211	12.04-12.10	■
325i (N52 B25 BF)		Gasolina	RWD	2497	155	211	12.04-12.10	■
325i (N52 B25 A)		Gasolina	RWD	2497	160	218	12.04-08.08	■
325i (N52 B25 A)		Gasolina	RWD	2497	160	218	12.04-08.08	■
325 xi (N52 B25 A)		Gasolina	4WD	2497	160	218	08.05-08.08	■
325 xi (N52 B25 A)		Gasolina	4WD	2497	160	218	08.05-08.08	■
325i (N53 B30 A)		Gasolina	RWD	2996	155	211	09.07-06.12	■
325i (N53 B30 A)		Gasolina	RWD	2996	155	211	09.07-06.12	■

LISTA DE APLICACIONES - BUYERS GUIDE

325i (N53 B30 A)	Gasolina	RWD	2996	160	218	09.07-06.12	■
325i (N53 B30 A)	Gasolina	RWD	2996	160	218	09.07-06.12	■
325 xi (N53 B30 A)	Gasolina	4WD	2996	160	218	09.07-08.08	■
325 xi (N53 B30 A)	Gasolina	4WD	2996	160	218	09.07-08.08	■
318 d (M47 D20 (204D4))	Diesel	RWD	1995	90	122	09.05-08.07	■
318 d (M47 D20 (204D4))	Diesel	RWD	1995	90	122	09.05-08.07	■
320 d (M47 D20 (204D4))	Diesel	RWD	1995	110	150	12.04-08.07	■
320 d (M47 D20 (204D4))	Diesel	RWD	1995	110	150	12.04-08.07	■
Z4 II (E89) 02.09-08.16						Convertible (Sports car-S Segment)	
sDrive18i (N20 B20 A)	Gasolina	RWD	1997	115	156	04.13-08.16	■
sDrive18i (N20 B20 A)	Gasolina	RWD	1997	115	156	04.13-08.16	■
sDrive20i (N20 B20 A)	Gasolina	RWD	1997	120	163	09.11-08.16	■
sDrive20i (N20 B20 A)	Gasolina	RWD	1997	120	163	09.11-08.16	■
sDrive20i (N20 B20 A)	Gasolina	RWD	1997	135	184	09.11-08.16	■
sDrive20i (N20 B20 A)	Gasolina	RWD	1997	135	184	09.11-08.16	■
sDrive 23 i (N52 B25 A)	Gasolina	RWD	2497	150	204	03.09-08.11	■
sDrive 23 i (N52 B25 A)	Gasolina	RWD	2497	150	204	03.09-08.11	■
sDrive 23 i (N52 B25 BF)	Gasolina	RWD	2497	150	204	03.09-08.11	■
sDrive 23 i (N52 B25 BF)	Gasolina	RWD	2497	150	204	03.09-08.11	■