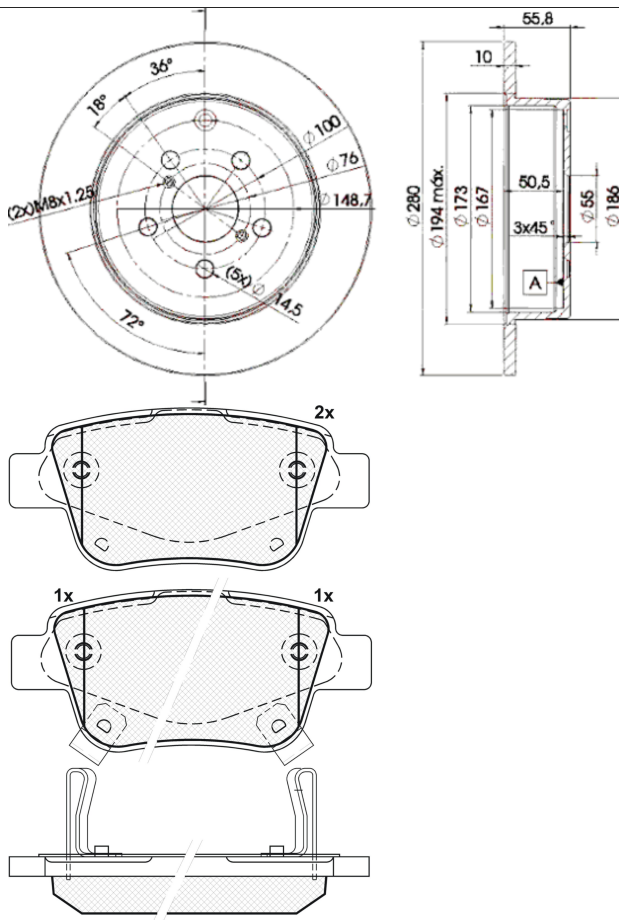


LISTA DE APLICACIONES - BUYERS GUIDE

31688-0503



Weight: 11.275



31688-0503



Bosch

101.9x45.95x16.7

Ø280x10x55.8

WVA

23620

MAKE

TOYOTA



Trac.	CC	Kw	CV
-------	----	----	----



Front / Rear

TOYOTA

AVENSIS II (_T25_) 04.03-11.08

Estate (Large family car-D Segment)

1.6 VVT-i (ZZT250_, ZZT250R) (3ZZ-FE)	Gasolina	FWD	1598	81	110	04.03-11.08	■
1.6 VVT-i (ZZT250_, ZZT250R) (3ZZ-FE)	Gasolina	FWD	1598	81	110	04.03-11.08	■
1.8 VVT-i (ZZT251_, ZZT251R) (1ZZ-FE)	Gasolina	FWD	1794	95	129	04.03-11.08	■
1.8 VVT-i (ZZT251_, ZZT251R) (1ZZ-FE)	Gasolina	FWD	1794	95	129	04.03-11.08	■
2.0 VVT-i (AZT250_, AZT250R) (1AZ-FSE)	Gasolina	FWD	1998	108	147	04.03-11.08	■
2.0 VVT-i (AZT250_, AZT250R) (1AZ-FSE)	Gasolina	FWD	1998	108	147	04.03-11.08	■
2.4 VVT-i (AZT251_, AZT251R) (2AZ-FSE)	Gasolina	FWD	2362	120	163	10.03-10.08	■
2.4 VVT-i (AZT251_, AZT251R) (2AZ-FSE)	Gasolina	FWD	2362	120	163	10.03-10.08	■
2.4 VVT-i (AZT251_, AZT251R) (2AZ-FSE)	Gasolina	FWD	2362	125	170	09.03-11.08	■
2.4 VVT-i (AZT251_, AZT251R) (2AZ-FSE)	Gasolina	FWD	2362	125	170	09.03-11.08	■
2.0 D-4D (CDT250_, CDT250R) (1CD-FTV)	Diesel	FWD	1995	85	116	04.03-11.08	■
2.0 D-4D (CDT250_, CDT250R) (1CD-FTV)	Diesel	FWD	1995	85	116	04.03-11.08	■
2.0 D-4D (ADT250_, ADT250R) (1AD-FTV)	Diesel	FWD	1998	93	126	03.06-11.08	■
2.0 D-4D (ADT250_, ADT250R) (1AD-FTV)	Diesel	FWD	1998	93	126	03.06-11.08	■

AVENSIS II (_T25_) 03.03-11.08

Hatchback (Large family car-D Segment)

1.6 VVT-i (ZZT250_, ZZT250R) (3ZZ-FE)	Gasolina	FWD	1598	81	110	04.03-11.08	■
1.6 VVT-i (ZZT250_, ZZT250R) (3ZZ-FE)	Gasolina	FWD	1598	81	110	04.03-11.08	■
1.8 VVT-i (ZZT251_, ZZT251R) (1ZZ-FE)	Gasolina	FWD	1794	95	129	03.03-10.08	■
1.8 VVT-i (ZZT251_, ZZT251R) (1ZZ-FE)	Gasolina	FWD	1794	95	129	03.03-10.08	■
2.0 VVT-i (AZT250_, AZT250R) (1AZ-FSE)	Gasolina	FWD	1998	108	147	03.03-11.08	■
2.0 VVT-i (AZT250_, AZT250R) (1AZ-FSE)	Gasolina	FWD	1998	108	147	03.03-11.08	■
2.4 VVT-i (AZT251_, AZT251R) (2AZ-FSE)	Gasolina	FWD	2362	120	163	10.03-10.08	■

LISTA DE APLICACIONES - BUYERS GUIDE

2.4 VVT-i (AZT251_, AZT251R) (2AZ-FSE)	Gasolina	FWD	2362	120	163	10.03-10.08	■
2.4 VVT-i (AZT251_, AZT251R) (2AZ-FSE)	Gasolina	FWD	2362	125	170	09.03-11.08	■
2.4 VVT-i (AZT251_, AZT251R) (2AZ-FSE)	Gasolina	FWD	2362	125	170	09.03-11.08	■
2.0 D-4D (CDT250_, CDT250R) (1CD-FTV)	Diesel	FWD	1995	85	116	04.03-11.08	■
2.0 D-4D (CDT250_, CDT250R) (1CD-FTV)	Diesel	FWD	1995	85	116	04.03-11.08	■
2.0 D-4D (ADT250_, ADT250R) (1AD-FTV)	Diesel	FWD	1998	93	126	03.06-11.08	■
2.0 D-4D (ADT250_, ADT250R) (1AD-FTV)	Diesel	FWD	1998	93	126	03.06-11.08	■
AVENSIS II (_T25_) 01.03-04.09						Saloon (Large family car-D Segment)	
1.6 VVT-i (ZZT250_, ZZT250R) (3ZZ-FE)	Gasolina	FWD	1598	81	110	04.03-11.08	■
1.6 VVT-i (ZZT250_, ZZT250R) (3ZZ-FE)	Gasolina	FWD	1598	81	110	04.03-11.08	■
1.8 VVT-i (ZZT251_, ZZT251R) (1ZZ-FE)	Gasolina	FWD	1794	95	129	04.03-11.08	■
1.8 VVT-i (ZZT251_, ZZT251R) (1ZZ-FE)	Gasolina	FWD	1794	95	129	04.03-11.08	■
2.0 VVT-i (AZT250_, AZT250R) (1AZ-FSE)	Gasolina	FWD	1998	108	147	04.03-11.08	■
2.0 VVT-i (AZT250_, AZT250R) (1AZ-FSE)	Gasolina	FWD	1998	108	147	04.03-11.08	■
2.4 VVT-i (AZT251_, AZT251R) (2AZ-FSE)	Gasolina	FWD	2362	120	163	10.03-10.08	■
2.4 VVT-i (AZT251_, AZT251R) (2AZ-FSE)	Gasolina	FWD	2362	120	163	10.03-10.08	■
2.4 VVT-i (AZT251_, AZT251R) (2AZ-FSE)	Gasolina	FWD	2362	125	170	09.03-11.08	■
2.4 VVT-i (AZT251_, AZT251R) (2AZ-FSE)	Gasolina	FWD	2362	125	170	09.03-11.08	■
2.0 D-4D (CDT250_, CDT250R) (1CD-FTV)	Diesel	FWD	1995	85	116	04.03-11.08	■
2.0 D-4D (CDT250_, CDT250R) (1CD-FTV)	Diesel	FWD	1995	85	116	04.03-11.08	■
2.0 D-4D (ADT250_, ADT250R) (1AD-FTV)	Diesel	FWD	1998	93	126	03.06-10.08	■
2.0 D-4D (ADT250_, ADT250R) (1AD-FTV)	Diesel	FWD	1998	93	126	03.06-10.08	■