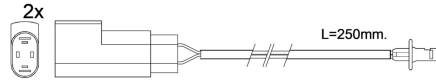
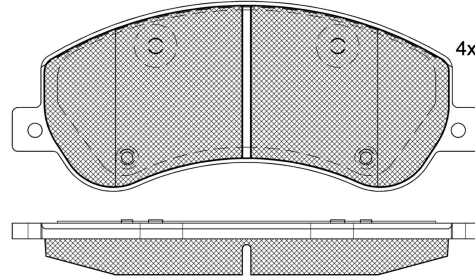
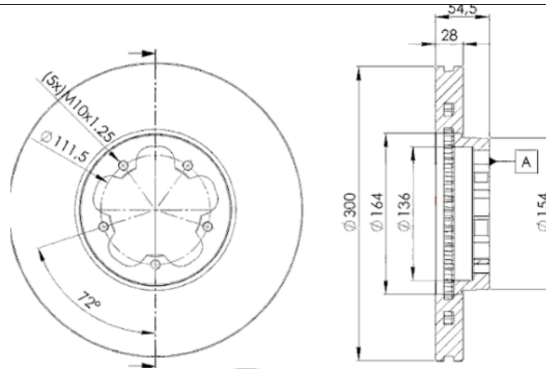


# LISTA DE APLICACIONES - BUYERS GUIDE

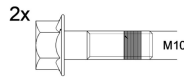
## 31793-5630



Weight: 21.400



1 - Ref. 610412 E



1 - Ref. 690174 E

## 31793-5630



Bosch

164.8x66.8x18.8  
Ø300x28x54.5

**WVA**

22262

24484

**MAKE**

FORD



Trac.	CC	Kw	CV
-------	----	----	----



Front / Rear

### FORD

**TRANSIT V (FD\_, FB\_, FS\_, FZ\_, FC\_) 04.06-**

**Bus (Minibus-M2-Segment)**

Model	Fuel	Trac.	CC	Kw	CV	Date	Availability
2.2 TDCi RWD (DRRA)	Diesel	RWD	2198	74	100	10.11-08.14	■
2.2 TDCi RWD (DRRA)	Diesel	RWD	2198	74	100	10.11-08.14	■
2.2 TDCi RWD (DRRB)	Diesel	RWD	2198	74	100	10.11-08.14	■
2.2 TDCi RWD (DRRB)	Diesel	RWD	2198	74	100	10.11-08.14	■
2.2 TDCi RWD (DRRC)	Diesel	RWD	2198	74	100	10.11-08.14	■
2.2 TDCi RWD (DRRC)	Diesel	RWD	2198	74	100	10.11-08.14	■
2.2 TDCi (QVFA)	Diesel	FWD	2198	81	110	04.06-08.14	■
2.2 TDCi (QVFA)	Diesel	FWD	2198	81	110	04.06-08.14	■
2.2 TDCi (SRFA)	Diesel	FWD	2198	85	115	10.08-08.14	■
2.2 TDCi (SRFA)	Diesel	FWD	2198	85	115	10.08-08.14	■
2.2 TDCi (SRFB)	Diesel	FWD	2198	85	115	10.08-08.14	■
2.2 TDCi (SRFB)	Diesel	FWD	2198	85	115	10.08-08.14	■
2.2 TDCi (SRFC)	Diesel	FWD	2198	85	115	10.08-08.14	■
2.2 TDCi (SRFC)	Diesel	FWD	2198	85	115	10.08-08.14	■
2.2 TDCi (SRFD)	Diesel	FWD	2198	85	115	10.08-08.14	■
2.2 TDCi (SRFD)	Diesel	FWD	2198	85	115	10.08-08.14	■
2.2 TDCi (SRFE)	Diesel	FWD	2198	85	115	10.08-08.14	■
2.2 TDCi (SRFE)	Diesel	FWD	2198	85	115	10.08-08.14	■
2.2 TDCi RWD (CYRA)	Diesel	RWD	2198	92	125	09.11-12.14	■
2.2 TDCi RWD (CYRA)	Diesel	RWD	2198	92	125	09.11-12.14	■
2.2 TDCi (QWFA)	Diesel	FWD	2198	96	130	04.06-08.14	■
2.2 TDCi (QWFA)	Diesel	FWD	2198	96	130	04.06-08.14	■
2.2 TDCi (PGFA)	Diesel	FWD	2198	103	140	10.07-08.14	■

# LISTA DE APLICACIONES - BUYERS GUIDE

2.2 TDCi (PGFA)		Diesel	FWD	2198	103	140	10.07-08.14	■
2.2 TDCi (PGFB)		Diesel	FWD	2198	103	140	10.07-08.14	■
2.2 TDCi (PGFB)		Diesel	FWD	2198	103	140	10.07-08.14	■
2.2 TDCi (UHFA)		Diesel	FWD	2198	103	140	10.07-08.14	■
2.2 TDCi (UHFA)		Diesel	FWD	2198	103	140	10.07-08.14	■
2.2 TDCi (UHFB)		Diesel	FWD	2198	103	140	10.07-08.14	■
2.2 TDCi (UHFB)		Diesel	FWD	2198	103	140	10.07-08.14	■
2.2 TDCi (UHFC)		Diesel	FWD	2198	103	140	10.07-08.14	■
2.2 TDCi (UHFC)		Diesel	FWD	2198	103	140	10.07-08.14	■
2.4 TDCi (PHFA)		Diesel	RWD	2402	74	100	04.06-08.14	■
2.4 TDCi (PHFA)		Diesel	RWD	2402	74	100	04.06-08.14	■
2.4 TDCi (PHFC)		Diesel	RWD	2402	74	100	04.06-08.14	■
2.4 TDCi (PHFC)		Diesel	RWD	2402	74	100	04.06-08.14	■
2.4 TDCi (JXFA)		Diesel	RWD	2402	85	115	04.06-08.14	■
2.4 TDCi (JXFA)		Diesel	RWD	2402	85	115	04.06-08.14	■
2.4 TDCi (JXFC)		Diesel	RWD	2402	85	115	04.06-08.14	■
2.4 TDCi (JXFC)		Diesel	RWD	2402	85	115	04.06-08.14	■
2.4 TDCi (H9FD)		Diesel	RWD	2402	103	140	04.06-08.14	■
2.4 TDCi (H9FD)		Diesel	RWD	2402	103	140	04.06-08.14	■
2.4 TDCi 4x4 (H9FB)		Diesel	4WD	2402	103	140	11.06-08.14	■
2.4 TDCi 4x4 (H9FB)		Diesel	4WD	2402	103	140	11.06-08.14	■
3.2 TDCi (SAFA)		Diesel	RWD	3199	147	200	02.08-08.14	■
3.2 TDCi (SAFA)		Diesel	RWD	3199	147	200	02.08-08.14	■
3.2 TDCi (SAFB)		Diesel	RWD	3199	147	200	02.08-08.14	■
3.2 TDCi (SAFB)		Diesel	RWD	3199	147	200	02.08-08.14	■
<b>TRANSIT V (FM_ , FN_ , FF_ ) 04.06-12.14</b>							<b>Platform/Chassis (LCVs-N1 Segment)</b>	
2.3 16V RWD (GZFA)		Gasolina	RWD	2261	107	145	04.06-08.14	■
2.3 16V RWD (GZFA)		Gasolina	RWD	2261	107	145	04.06-08.14	■
2.3 16V RWD (GZFB)		Gasolina	RWD	2261	107	145	04.06-08.14	■
2.3 16V RWD (GZFB)		Gasolina	RWD	2261	107	145	04.06-08.14	■
2.3 16V RWD (GZFC)		Gasolina	RWD	2261	107	145	04.06-08.14	■
2.3 16V RWD (GZFC)		Gasolina	RWD	2261	107	145	04.06-08.14	■
2.2 TDCi (DRFA)		Diesel	FWD	2198	74	100	10.11-08.14	■
2.2 TDCi (DRFA)		Diesel	FWD	2198	74	100	10.11-08.14	■
2.2 TDCi (DRFB)		Diesel	FWD	2198	74	100	10.11-08.14	■
2.2 TDCi (DRFB)		Diesel	FWD	2198	74	100	10.11-08.14	■
2.2 TDCi (DRFC)		Diesel	FWD	2198	74	100	10.11-08.14	■
2.2 TDCi (DRFC)		Diesel	FWD	2198	74	100	10.11-08.14	■
2.2 TDCi (DRFD)		Diesel	FWD	2198	74	100	10.11-08.14	■
2.2 TDCi (DRFD)		Diesel	FWD	2198	74	100	10.11-08.14	■
2.2 TDCi (DRFE)		Diesel	FWD	2198	74	100	10.11-08.14	■
2.2 TDCi (DRFE)		Diesel	FWD	2198	74	100	10.11-08.14	■
2.2 TDCi RWD (DRRA)		Diesel	RWD	2198	74	100	10.11-08.14	■
2.2 TDCi RWD (DRRA)		Diesel	RWD	2198	74	100	10.11-08.14	■
2.2 TDCi RWD (DRRB)		Diesel	RWD	2198	74	100	10.11-08.14	■
2.2 TDCi RWD (DRRB)		Diesel	RWD	2198	74	100	10.11-08.14	■
2.2 TDCi RWD (DRRC)		Diesel	RWD	2198	74	100	10.11-08.14	■
2.2 TDCi RWD (DRRC)		Diesel	RWD	2198	74	100	10.11-08.14	■
2.2 TDCi (QVFA)		Diesel	FWD	2198	81	110	04.06-08.14	■
2.2 TDCi (QVFA)		Diesel	FWD	2198	81	110	04.06-08.14	■
2.2 TDCi (SRFA)		Diesel	FWD	2198	85	115	10.08-08.14	■

## LISTA DE APLICACIONES - BUYERS GUIDE

2.2 TDCi (SRFA)		Diesel	FWD	2198	85	115	10.08-08.14	■
2.2 TDCi (SRFB)		Diesel	FWD	2198	85	115	10.08-08.14	■
2.2 TDCi (SRFB)		Diesel	FWD	2198	85	115	10.08-08.14	■
2.2 TDCi (SRFC)		Diesel	FWD	2198	85	115	10.08-08.14	■
2.2 TDCi (SRFC)		Diesel	FWD	2198	85	115	10.08-08.14	■
2.2 TDCi (SRFD)		Diesel	FWD	2198	85	115	10.08-08.14	■
2.2 TDCi (SRFD)		Diesel	FWD	2198	85	115	10.08-08.14	■
2.2 TDCi (SRFE)		Diesel	FWD	2198	85	115	10.08-08.14	■
2.2 TDCi (SRFE)		Diesel	FWD	2198	85	115	10.08-08.14	■
2.2 TDCi (CYFA)		Diesel	FWD	2198	92	125	10.11-08.14	■
2.2 TDCi (CYFA)		Diesel	FWD	2198	92	125	10.11-08.14	■
2.2 TDCi (CYFB)		Diesel	FWD	2198	92	125	10.11-08.14	■
2.2 TDCi (CYFB)		Diesel	FWD	2198	92	125	10.11-08.14	■
2.2 TDCi (CYFC)		Diesel	FWD	2198	92	125	10.11-08.14	■
2.2 TDCi (CYFC)		Diesel	FWD	2198	92	125	10.11-08.14	■
2.2 TDCi (CYFD)		Diesel	FWD	2198	92	125	10.11-08.14	■
2.2 TDCi (CYFD)		Diesel	FWD	2198	92	125	10.11-08.14	■
2.2 TDCi 4x4 (CYRB)		Diesel	4WD	2198	92	125	10.11-08.14	■
2.2 TDCi 4x4 (CYRB)		Diesel	4WD	2198	92	125	10.11-08.14	■
2.2 TDCi 4x4 (CYRC)		Diesel	4WD	2198	92	125	10.11-08.14	■
2.2 TDCi 4x4 (CYRC)		Diesel	4WD	2198	92	125	10.11-08.14	■
2.2 TDCi RWD (CYRA)		Diesel	RWD	2198	92	125	10.11-08.14	■
2.2 TDCi RWD (CYRA)		Diesel	RWD	2198	92	125	10.11-08.14	■
2.2 TDCi (QWFA)		Diesel	FWD	2198	96	130	04.06-08.14	■
2.2 TDCi (QWFA)		Diesel	FWD	2198	96	130	04.06-08.14	■
2.2 TDCi (PGFA)		Diesel	FWD	2198	103	140	10.07-08.14	■
2.2 TDCi (PGFA)		Diesel	FWD	2198	103	140	10.07-08.14	■
2.2 TDCi (PGFB)		Diesel	FWD	2198	103	140	10.07-08.14	■
2.2 TDCi (PGFB)		Diesel	FWD	2198	103	140	10.07-08.14	■
2.2 TDCi (UHFA)		Diesel	FWD	2198	103	140	10.07-08.14	■
2.2 TDCi (UHFA)		Diesel	FWD	2198	103	140	10.07-08.14	■
2.2 TDCi (UHFB)		Diesel	FWD	2198	103	140	10.07-08.14	■
2.2 TDCi (UHFB)		Diesel	FWD	2198	103	140	10.07-08.14	■
2.2 TDCi (UHFC)		Diesel	FWD	2198	103	140	10.07-08.14	■
2.2 TDCi (UHFC)		Diesel	FWD	2198	103	140	10.07-08.14	■
2.2 TDCi RWD (CVRA)		Diesel	RWD	2198	114	155	10.11-08.14	■
2.2 TDCi RWD (CVRA)		Diesel	RWD	2198	114	155	10.11-08.14	■
2.2 TDCi RWD (CVRB)		Diesel	RWD	2198	114	155	10.11-08.14	■
2.2 TDCi RWD (CVRB)		Diesel	RWD	2198	114	155	10.11-08.14	■
2.2 TDCi RWD (CVRC)		Diesel	RWD	2198	114	155	10.11-08.14	■
2.2 TDCi RWD (CVRC)		Diesel	RWD	2198	114	155	10.11-08.14	■
2.4 TDCi RWD (PHFA)		Diesel	RWD	2402	74	100	04.06-08.14	■
2.4 TDCi RWD (PHFA)		Diesel	RWD	2402	74	100	04.06-08.14	■
2.4 TDCi RWD (PHFC)		Diesel	RWD	2402	74	100	04.06-08.14	■
2.4 TDCi RWD (PHFC)		Diesel	RWD	2402	74	100	04.06-08.14	■
2.4 TDCi RWD (JXFA)		Diesel	RWD	2402	85	115	04.06-08.14	■
2.4 TDCi RWD (JXFA)		Diesel	RWD	2402	85	115	04.06-08.14	■
2.4 TDCi RWD (JXFC)		Diesel	RWD	2402	85	115	04.06-08.14	■
2.4 TDCi RWD (JXFC)		Diesel	RWD	2402	85	115	04.06-08.14	■
2.4 TDCi 4x4 (H9FB)		Diesel	4WD	2402	103	140	11.06-08.14	■
2.4 TDCi 4x4 (H9FB)		Diesel	4WD	2402	103	140	11.06-08.14	■

# LISTA DE APLICACIONES - BUYERS GUIDE

2.4 TDCi RWD (H9FD)		Diesel	RWD	2402	103	140	04.06-08.14	■	
2.4 TDCi RWD (H9FD)		Diesel	RWD	2402	103	140	04.06-08.14	■	
3.2 TDCi RWD (SAFA)		Diesel	RWD	3199	147	200	09.07-08.14	■	
3.2 TDCi RWD (SAFA)		Diesel	RWD	3199	147	200	09.07-08.14	■	
3.2 TDCi RWD (SAFB)		Diesel	RWD	3199	147	200	09.07-08.14	■	
3.2 TDCi RWD (SAFB)		Diesel	RWD	3199	147	200	09.07-08.14	■	
<b>TRANSIT V (FA_) 04.06-</b>							<b>Van (LCVs-N1 Segment)</b>		
2.3 16V RWD (GZFA)		Gasolina	RWD	2261	107	145	04.06-08.14	■	
2.3 16V RWD (GZFA)		Gasolina	RWD	2261	107	145	04.06-08.14	■	
2.3 16V RWD (GZFB)		Gasolina	RWD	2261	107	145	04.06-08.14	■	
2.3 16V RWD (GZFB)		Gasolina	RWD	2261	107	145	04.06-08.14	■	
2.3 16V RWD (GZFC)		Gasolina	RWD	2261	107	145	04.06-08.14	■	
2.3 16V RWD (GZFC)		Gasolina	RWD	2261	107	145	04.06-08.14	■	
2.2 TDCi (DRFA)		Diesel	FWD	2198	74	100	10.11-08.14	■	
2.2 TDCi (DRFA)		Diesel	FWD	2198	74	100	10.11-08.14	■	
2.2 TDCi (DRFB)		Diesel	FWD	2198	74	100	10.11-08.14	■	
2.2 TDCi (DRFB)		Diesel	FWD	2198	74	100	10.11-08.14	■	
2.2 TDCi (DRFC)		Diesel	FWD	2198	74	100	10.11-08.14	■	
2.2 TDCi (DRFC)		Diesel	FWD	2198	74	100	10.11-08.14	■	
2.2 TDCi (DRFD)		Diesel	FWD	2198	74	100	10.11-08.14	■	
2.2 TDCi (DRFD)		Diesel	FWD	2198	74	100	10.11-08.14	■	
2.2 TDCi (DRFE)		Diesel	FWD	2198	74	100	10.11-08.14	■	
2.2 TDCi (DRFE)		Diesel	FWD	2198	74	100	10.11-08.14	■	
2.2 TDCi RWD (DRRA)		Diesel	RWD	2198	74	100	10.11-08.14	■	
2.2 TDCi RWD (DRRA)		Diesel	RWD	2198	74	100	10.11-08.14	■	
2.2 TDCi RWD (DRRB)		Diesel	RWD	2198	74	100	10.11-08.14	■	
2.2 TDCi RWD (DRRB)		Diesel	RWD	2198	74	100	10.11-08.14	■	
2.2 TDCi RWD (DRRC)		Diesel	RWD	2198	74	100	10.11-08.14	■	
2.2 TDCi RWD (DRRC)		Diesel	RWD	2198	74	100	10.11-08.14	■	
2.2 TDCi (QVFA)		Diesel	FWD	2198	81	110	04.06-08.14	■	
2.2 TDCi (QVFA)		Diesel	FWD	2198	81	110	04.06-08.14	■	
2.2 TDCi (SRFA)		Diesel	FWD	2198	85	115	10.08-08.14	■	
2.2 TDCi (SRFA)		Diesel	FWD	2198	85	115	10.08-08.14	■	
2.2 TDCi (SRFB)		Diesel	FWD	2198	85	115	10.08-08.14	■	
2.2 TDCi (SRFB)		Diesel	FWD	2198	85	115	10.08-08.14	■	
2.2 TDCi (SRFC)		Diesel	FWD	2198	85	115	10.08-08.14	■	
2.2 TDCi (SRFC)		Diesel	FWD	2198	85	115	10.08-08.14	■	
2.2 TDCi (SRFD)		Diesel	FWD	2198	85	115	10.08-08.14	■	
2.2 TDCi (SRFD)		Diesel	FWD	2198	85	115	10.08-08.14	■	
2.2 TDCi (SRFE)		Diesel	FWD	2198	85	115	10.08-08.14	■	
2.2 TDCi (SRFE)		Diesel	FWD	2198	85	115	10.08-08.14	■	
2.2 TDCi (CYFA)		Diesel	FWD	2198	92	125	10.11-08.14	■	
2.2 TDCi (CYFA)		Diesel	FWD	2198	92	125	10.11-08.14	■	
2.2 TDCi (CYFB)		Diesel	FWD	2198	92	125	10.11-08.14	■	
2.2 TDCi (CYFB)		Diesel	FWD	2198	92	125	10.11-08.14	■	
2.2 TDCi (CYFC)		Diesel	FWD	2198	92	125	10.11-08.14	■	
2.2 TDCi (CYFC)		Diesel	FWD	2198	92	125	10.11-08.14	■	
2.2 TDCi (CYFD)		Diesel	FWD	2198	92	125	10.11-08.14	■	
2.2 TDCi (CYFD)		Diesel	FWD	2198	92	125	10.11-08.14	■	
2.2 TDCi 4x4 (CYRB)		Diesel	4WD	2198	92	125	10.11-08.14	■	
2.2 TDCi 4x4 (CYRB)		Diesel	4WD	2198	92	125	10.11-08.14	■	

## LISTA DE APLICACIONES - BUYERS GUIDE

2.2 TDCi 4x4 (CYRC)		Diesel	4WD	2198	92	125	10.11-08.14	■
2.2 TDCi 4x4 (CYRC)		Diesel	4WD	2198	92	125	10.11-08.14	■
2.2 TDCi RWD (CYRA)		Diesel	RWD	2198	92	125	09.11-12.14	■
2.2 TDCi RWD (CYRA)		Diesel	RWD	2198	92	125	09.11-12.14	■
2.2 TDCi (QWFA)		Diesel	FWD	2198	96	130	04.06-08.14	■
2.2 TDCi (QWFA)		Diesel	FWD	2198	96	130	04.06-08.14	■
2.2 TDCi (PGFA)		Diesel	FWD	2198	103	140	10.07-08.14	■
2.2 TDCi (PGFA)		Diesel	FWD	2198	103	140	10.07-08.14	■
2.2 TDCi (PGFB)		Diesel	FWD	2198	103	140	10.07-08.14	■
2.2 TDCi (PGFB)		Diesel	FWD	2198	103	140	10.07-08.14	■
2.2 TDCi (UHFA)		Diesel	FWD	2198	103	140	10.07-08.14	■
2.2 TDCi (UHFA)		Diesel	FWD	2198	103	140	10.07-08.14	■
2.2 TDCi (UHFB)		Diesel	FWD	2198	103	140	10.07-08.14	■
2.2 TDCi (UHFB)		Diesel	FWD	2198	103	140	10.07-08.14	■
2.2 TDCi (UHFC)		Diesel	FWD	2198	103	140	10.07-08.14	■
2.2 TDCi (UHFC)		Diesel	FWD	2198	103	140	10.07-08.14	■
2.2 TDCi RWD (CVRA)		Diesel	RWD	2198	114	155	10.11-08.14	■
2.2 TDCi RWD (CVRA)		Diesel	RWD	2198	114	155	10.11-08.14	■
2.2 TDCi RWD (CVRB)		Diesel	RWD	2198	114	155	10.11-08.14	■
2.2 TDCi RWD (CVRB)		Diesel	RWD	2198	114	155	10.11-08.14	■
2.2 TDCi RWD (CVRC)		Diesel	RWD	2198	114	155	10.11-08.14	■
2.2 TDCi RWD (CVRC)		Diesel	RWD	2198	114	155	10.11-08.14	■
2.4 TDCi RWD (PHFA)		Diesel	RWD	2402	74	100	04.06-08.14	■
2.4 TDCi RWD (PHFA)		Diesel	RWD	2402	74	100	04.06-08.14	■
2.4 TDCi RWD (PHFC)		Diesel	RWD	2402	74	100	04.06-08.14	■
2.4 TDCi RWD (PHFC)		Diesel	RWD	2402	74	100	04.06-08.14	■
2.4 TDCi RWD (JXFA)		Diesel	RWD	2402	85	115	04.06-08.14	■
2.4 TDCi RWD (JXFA)		Diesel	RWD	2402	85	115	04.06-08.14	■
2.4 TDCi RWD (JXFC)		Diesel	RWD	2402	85	115	04.06-08.14	■
2.4 TDCi RWD (JXFC)		Diesel	RWD	2402	85	115	04.06-08.14	■
2.4 TDCi 4x4 (H9FB)		Diesel	4WD	2402	103	140	11.06-08.14	■
2.4 TDCi 4x4 (H9FB)		Diesel	4WD	2402	103	140	11.06-08.14	■
2.4 TDCi RWD (H9FB)		Diesel	RWD	2402	103	140	04.06-08.14	■
2.4 TDCi RWD (H9FB)		Diesel	RWD	2402	103	140	04.06-08.14	■
2.4 TDCi RWD (H9FD)		Diesel	RWD	2402	103	140	04.06-08.14	■
2.4 TDCi RWD (H9FD)		Diesel	RWD	2402	103	140	04.06-08.14	■
3.2 TDCi RWD (SAFA)		Diesel	RWD	3199	147	200	09.07-08.14	■
3.2 TDCi RWD (SAFA)		Diesel	RWD	3199	147	200	09.07-08.14	■
3.2 TDCi RWD (SAFB)		Diesel	RWD	3199	147	200	09.07-08.14	■
3.2 TDCi RWD (SAFB)		Diesel	RWD	3199	147	200	09.07-08.14	■