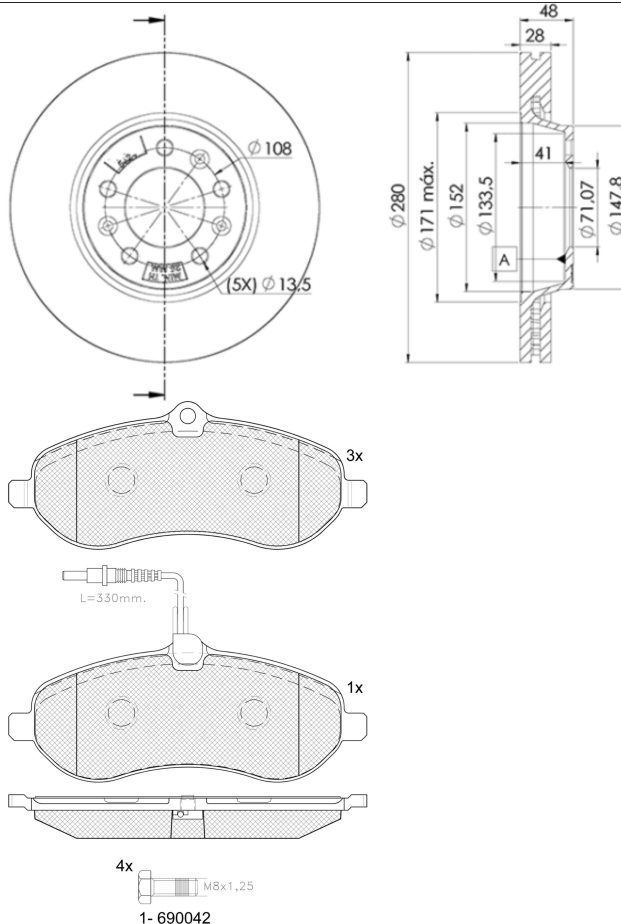


LISTA DE APLICACIONES - BUYERS GUIDE

31802-5624



Weight: 18.035



31802-5624



Trw

162.1x66.9x18.9
Ø280x28x48

WVA

24595

24608

MAKE

CITROËN

FIAT

PEUGEOT

TOYOTA



Trac.	CC	Kw	CV
-------	----	----	----



Front / Rear

CITROËN

JUMPY II / DISPATCH (VF7) 01.07-

Bus (Minibus-M2-Segment)

Engine	Transmission	Drive	CC	Kw	CV	Period	Availability
1.6 HDi 90 16V (9HU (DV6UTED4))	Diesel	FWD	1560	66	90	01.07-03.16	■
1.6 HDi 90 16V (9HU (DV6UTED4))	Diesel	FWD	1560	66	90	01.07-03.16	■
1.6 HDi 90 8V (9HH (DV6DUM))	Diesel	FWD	1560	66	90	01.07-03.16	■
1.6 HDi 90 8V (9HH (DV6DUM))	Diesel	FWD	1560	66	90	01.07-03.16	■
1.6 HDi 90 8V (9HM (DV6UC))	Diesel	FWD	1560	66	90	01.07-03.16	■
1.6 HDi 90 8V (9HM (DV6UC))	Diesel	FWD	1560	66	90	01.07-03.16	■

JUMPY II / DISPATCH 01.07-

Van (LCVs-N1 Segment)

Engine	Transmission	Drive	CC	Kw	CV	Period	Availability
1.6 HDi 90 16V (9HU (DV6UTED4))	Diesel	FWD	1560	66	90	01.07-03.16	■
1.6 HDi 90 16V (9HU (DV6UTED4))	Diesel	FWD	1560	66	90	01.07-03.16	■
1.6 HDi 90 8V (9HH (DV6DUM))	Diesel	FWD	1560	66	90	01.07-03.16	■
1.6 HDi 90 8V (9HH (DV6DUM))	Diesel	FWD	1560	66	90	01.07-03.16	■
1.6 HDi 90 8V (9HM (DV6UC))	Diesel	FWD	1560	66	90	01.07-03.16	■
1.6 HDi 90 8V (9HM (DV6UC))	Diesel	FWD	1560	66	90	01.07-03.16	■

FIAT

SCUDO II (270_, 272_) 01.07-

Bus (Minibus-M2-Segment)

Engine	Transmission	Drive	CC	Kw	CV	Period	Availability
1.6 D Multijet (9HU)	Diesel	FWD	1560	66	90	01.07-03.16	■
1.6 D Multijet (9HU)	Diesel	FWD	1560	66	90	01.07-03.16	■

SCUDO II (270_, 272_) 01.07-

Platform/Chassis (LCVs-N1 Segment)

Engine	Transmission	Drive	CC	Kw	CV	Period	Availability
1.6 D Multijet (9HU)	Diesel	FWD	1560	66	90	01.07-03.16	■
1.6 D Multijet (9HU)	Diesel	FWD	1560	66	90	01.07-03.16	■

LISTA DE APLICACIONES - BUYERS GUIDE

SCUDO II (270_, 272_) 01.07-					Van (LCVs-N1 Segment)			
1.6 D Multijet (9HU)	Diesel	FWD	1560	66	90	01.07-03.16	■	
1.6 D Multijet (9HU)	Diesel	FWD	1560	66	90	01.07-03.16	■	
PEUGEOT								
EXPERT II 01.07-					Platform/Chassis (LCVs-N1 Segment)			
1.6 HDi 90 16V (9HU (DV6UTED4))	Diesel	FWD	1560	66	90	01.07-	■	
1.6 HDi 90 16V (9HU (DV6UTED4))	Diesel	FWD	1560	66	90	01.07-	■	
EXPERT II (VF3A_, VF3U_, VF3X_) 01.07-					Van (LCVs-N1 Segment)			
1.6 HDi 90 16V (9HU (DV6UTED4))	Diesel	FWD	1560	66	90	01.07-	■	
1.6 HDi 90 16V (9HU (DV6UTED4))	Diesel	FWD	1560	66	90	01.07-	■	
1.6 HDi 90 8V (9HH (DV6DUM))	Diesel	FWD	1560	66	90	01.07-	■	
1.6 HDi 90 8V (9HH (DV6DUM))	Diesel	FWD	1560	66	90	01.07-	■	
1.6 HDi 90 8V (9HM (DV6UC))	Diesel	FWD	1560	66	90	01.07-	■	
1.6 HDi 90 8V (9HM (DV6UC))	Diesel	FWD	1560	66	90	01.07-	■	
EXPERT II Tepee (VF3X_) 01.07-					Bus (Minibus-M2-Segment)			
1.6 HDi 90 16V (9HU (DV6UTED4))	Diesel	FWD	1560	66	90	01.07-03.16	■	
1.6 HDi 90 16V (9HU (DV6UTED4))	Diesel	FWD	1560	66	90	01.07-03.16	■	
1.6 HDi 90 8V (9HH (DV6DUM))	Diesel	FWD	1560	66	90	01.07-03.16	■	
1.6 HDi 90 8V (9HH (DV6DUM))	Diesel	FWD	1560	66	90	01.07-03.16	■	
1.6 HDi 90 8V (9HM (DV6UC))	Diesel	FWD	1560	66	90	01.07-03.16	■	
1.6 HDi 90 8V (9HM (DV6UC))	Diesel	FWD	1560	66	90	01.07-03.16	■	
TOYOTA								
PROACE (MDX_) 06.13-03.16					Van (LCVs-N1 Segment)			
1.6 D (MDX9) (3WZ-TV)	Diesel	FWD	1560	66	90	06.13-03.16	■	
1.6 D (MDX9) (3WZ-TV)	Diesel	FWD	1560	66	90	06.13-03.16	■	
2.0 D (MDX3) (4WZ-FTW)	Diesel	FWD	1997	94	128	06.13-03.16	■	
2.0 D (MDX3) (4WZ-FTW)	Diesel	FWD	1997	94	128	06.13-03.16	■	
2.0 D (MDX6) (4WZ-FHV)	Diesel	FWD	1997	120	163	06.13-03.16	■	
2.0 D (MDX6) (4WZ-FHV)	Diesel	FWD	1997	120	163	06.13-03.16	■	