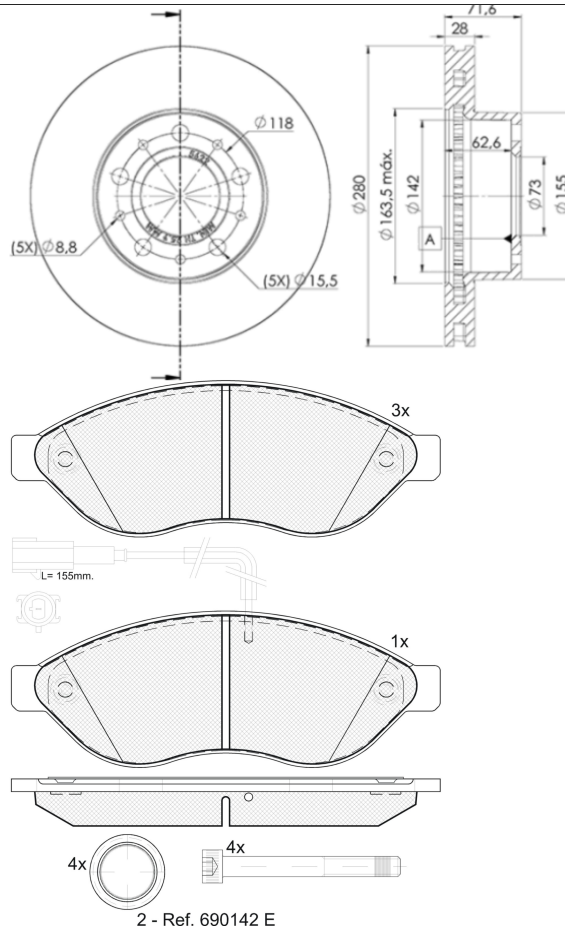


LISTA DE APLICACIONES - BUYERS GUIDE

31803-5622



Weight: 19.135



31803-5622



Brembo

168.9x61.7x19.2
Ø280x28x71.6

WVA

24468

24469

MAKE

CITROËN

FIAT

PEUGEOT



Trac.	CC	Kw	CV
-------	----	----	----



Front / Rear

CITROËN

JUMPER III / RELAY 04.06-

Bus (Minibus-M2-Segment)

Model	Engine	Trac.	CC	Kw	CV	Period	Front	Rear
2.0 BlueHDi 110 (AHM (DW10FUE))	Diesel	FWD	1997	81	110	07.15-09.19	■	■
2.0 BlueHDi 110 (AHM (DW10FUE))	Diesel	FWD	1997	81	110	07.15-09.19	■	■
2.0 BlueHDi 130 (AHN (DW10FUD))	Diesel	FWD	1997	96	130	07.15-09.19	■	■
2.0 BlueHDi 130 (AHN (DW10FUD))	Diesel	FWD	1997	96	130	07.15-09.19	■	■
2.0 BlueHDi 160 (AHP (DW10FUC))	Diesel	FWD	1997	120	163	07.15-09.19	■	■
2.0 BlueHDi 160 (AHP (DW10FUC))	Diesel	FWD	1997	120	163	07.15-09.19	■	■
2.2 HDi 100 (4HV (P22DTE))	Diesel	FWD	2198	74	101	04.06-	■	■
2.2 HDi 100 (4HV (P22DTE))	Diesel	FWD	2198	74	101	04.06-	■	■
2.2 HDi 110 (4HG (P22DTE))	Diesel	FWD	2198	81	110	07.11-12.20	■	■
2.2 HDi 110 (4HG (P22DTE))	Diesel	FWD	2198	81	110	07.11-12.20	■	■
2.2 HDi 120 (4HU (P22DTE))	Diesel	FWD	2198	88	120	04.06-12.16	■	■
2.2 HDi 120 (4HU (P22DTE))	Diesel	FWD	2198	88	120	04.06-12.16	■	■
2.2 HDi 130 (4HH (P22DTE))	Diesel	FWD	2198	96	130	07.11-	■	■
2.2 HDi 130 (4HH (P22DTE))	Diesel	FWD	2198	96	130	07.11-	■	■
2.2 HDi 150 (4HJ (P22DTE))	Diesel	FWD	2198	110	150	07.11-	■	■
2.2 HDi 150 (4HJ (P22DTE))	Diesel	FWD	2198	110	150	07.11-	■	■
3.0 HDi 155 (F1CE0481D (F30DT))	Diesel	FWD	2999	115	157	07.06-	■	■
3.0 HDi 155 (F1CE0481D (F30DT))	Diesel	FWD	2999	115	157	07.06-	■	■
3.0 HDi 160 (F1CE0481D (F30DT))	Diesel	FWD	2999	116	157	09.06-	■	■
3.0 HDi 160 (F1CE0481D (F30DT))	Diesel	FWD	2999	116	157	09.06-	■	■
3.0 HDi 180 (F1CE3481E (F30DTE))	Diesel	FWD	2999	130	177	07.11-	■	■
3.0 HDi 180 (F1CE3481E (F30DTE))	Diesel	FWD	2999	130	177	07.11-	■	■

LISTA DE APLICACIONES - BUYERS GUIDE

JUMPER III / RELAY 04.06-					Platform/Chassis (LCVs-N1 Segment)			
2.0 BlueHDi 110 (AHM (DW10FUE))		Diesel	FWD	1997	81	110	11.15-09.19	■
2.0 BlueHDi 110 (AHM (DW10FUE))		Diesel	FWD	1997	81	110	11.15-09.19	■
2.0 BlueHDi 130 (AHN (DW10FUD))		Diesel	FWD	1997	96	130	11.15-09.19	■
2.0 BlueHDi 130 (AHN (DW10FUD))		Diesel	FWD	1997	96	130	11.15-09.19	■
2.0 BlueHDi 130 4x4 (AHN (DW10FUD))		Diesel	4WD	1997	96	130	11.15-09.19	■
2.0 BlueHDi 130 4x4 (AHN (DW10FUD))		Diesel	4WD	1997	96	130	11.15-09.19	■
2.0 BlueHDi 160 (AHP (DW10FUC))		Diesel	FWD	1997	120	163	11.15-09.19	■
2.0 BlueHDi 160 (AHP (DW10FUC))		Diesel	FWD	1997	120	163	11.15-09.19	■
2.0 BlueHDi 160 4x4 (AHP (DW10FUC))		Diesel	4WD	1997	120	163	11.15-09.19	■
2.0 BlueHDi 160 4x4 (AHP (DW10FUC))		Diesel	4WD	1997	120	163	11.15-09.19	■
2.2 HDi 100 (4HV (P22DTE))		Diesel	FWD	2198	74	101	04.06-	■
2.2 HDi 100 (4HV (P22DTE))		Diesel	FWD	2198	74	101	04.06-	■
2.2 HDi 110 (4HG (P22DTE))		Diesel	FWD	2198	81	110	07.11-12.20	■
2.2 HDi 110 (4HG (P22DTE))		Diesel	FWD	2198	81	110	07.11-12.20	■
2.2 HDi 120 (4HU (P22DTE))		Diesel	FWD	2198	88	120	04.06-12.16	■
2.2 HDi 120 (4HU (P22DTE))		Diesel	FWD	2198	88	120	04.06-12.16	■
2.2 HDi 130 (4HH (P22DTE))		Diesel	FWD	2198	96	130	07.06-	■
2.2 HDi 130 (4HH (P22DTE))		Diesel	FWD	2198	96	130	07.06-	■
2.2 HDi 150 (4HJ (P22DTE))		Diesel	FWD	2198	110	150	07.11-	■
2.2 HDi 150 (4HJ (P22DTE))		Diesel	FWD	2198	110	150	07.11-	■
3.0 HDi 145 (F30DTE (F1CE3481N))		Diesel	FWD	2999	107	146	07.10-12.13	■
3.0 HDi 145 (F30DTE (F1CE3481N))		Diesel	FWD	2999	107	146	07.10-12.13	■
3.0 HDi 160 (F1CE0481D (F30DT))		Diesel	FWD	2999	116	157	09.06-12.15	■
3.0 HDi 160 (F1CE0481D (F30DT))		Diesel	FWD	2999	116	157	09.06-12.15	■
3.0 HDi 180 (F1CE3481E (F30DTE))		Diesel	FWD	2999	130	177	07.11-	■
3.0 HDi 180 (F1CE3481E (F30DTE))		Diesel	FWD	2999	130	177	07.11-	■

JUMPER III / RELAY 04.06-					Van (LCVs-N1 Segment)			
2.0 BlueHDi 110 (AHM (DW10FUE))		Diesel	FWD	1997	81	110	11.15-09.19	■
2.0 BlueHDi 110 (AHM (DW10FUE))		Diesel	FWD	1997	81	110	11.15-09.19	■
2.0 BlueHDi 130 (AHN (DW10FUD))		Diesel	FWD	1997	96	130	11.15-09.19	■
2.0 BlueHDi 130 (AHN (DW10FUD))		Diesel	FWD	1997	96	130	11.15-09.19	■
2.0 BlueHDi 160 (AHP (DW10FUC))		Diesel	FWD	1997	120	163	11.15-09.19	■
2.0 BlueHDi 160 (AHP (DW10FUC))		Diesel	FWD	1997	120	163	11.15-09.19	■
2.0 BlueHDi 160 4x4 (AHP (DW10FUC))		Diesel	4WD	1997	120	163	11.15-09.19	■
2.0 BlueHDi 160 4x4 (AHP (DW10FUC))		Diesel	4WD	1997	120	163	11.15-09.19	■
2.2 HDi 100 (4HV (P22DTE))		Diesel	FWD	2198	74	101	04.06-12.12	■
2.2 HDi 100 (4HV (P22DTE))		Diesel	FWD	2198	74	101	04.06-12.12	■
2.2 HDi 110 (4HG (P22DTE))		Diesel	FWD	2198	81	110	07.11-12.20	■
2.2 HDi 110 (4HG (P22DTE))		Diesel	FWD	2198	81	110	07.11-12.20	■
2.2 HDi 120 (4HU (P22DTE))		Diesel	FWD	2198	88	120	04.06-12.16	■
2.2 HDi 120 (4HU (P22DTE))		Diesel	FWD	2198	88	120	04.06-12.16	■
2.2 HDi 130 (4HH (P22DTE))		Diesel	FWD	2198	96	130	07.11-	■
2.2 HDi 130 (4HH (P22DTE))		Diesel	FWD	2198	96	130	07.11-	■
2.2 HDi 150 (4HJ (P22DTE))		Diesel	FWD	2198	110	150	07.11-	■
2.2 HDi 150 (4HJ (P22DTE))		Diesel	FWD	2198	110	150	07.11-	■
3.0 HDi 145 (F30DTE (F1CE3481N))		Diesel	FWD	2999	107	146	07.10-12.13	■
3.0 HDi 145 (F30DTE (F1CE3481N))		Diesel	FWD	2999	107	146	07.10-12.13	■
3.0 HDi 155 (F1CE0481D (F30DT))		Diesel	FWD	2999	115	156	07.06-12.15	■
3.0 HDi 155 (F1CE0481D (F30DT))		Diesel	FWD	2999	115	156	07.06-12.15	■

LISTA DE APLICACIONES - BUYERS GUIDE

3.0 HDi 160 (F1CE0481D (F30DT))		Diesel	FWD	2999	116	157	09.06-12.15	■
3.0 HDi 160 (F1CE0481D (F30DT))		Diesel	FWD	2999	116	157	09.06-12.15	■
3.0 HDi 180 (F1CE3481E (F30DTE))		Diesel	FWD	2999	130	177	07.11-	■
3.0 HDi 180 (F1CE3481E (F30DTE))		Diesel	FWD	2999	130	177	07.11-	■
FIAT								
DUCATO III (250_) 07.06-						Bus (Minibus-M2-Segment)		
115 Multijet 2,0 D (250 A1.000)		Diesel	FWD	1956	85	116	06.11-	■
115 Multijet 2,0 D (250 A1.000)		Diesel	FWD	1956	85	116	06.11-	■
115 Multijet 2,0 D (250 A2.000)		Diesel	FWD	1956	85	116	06.11-	■
115 Multijet 2,0 D (250 A2.000)		Diesel	FWD	1956	85	116	06.11-	■
100 Multijet 2,2 D (4HV)		Diesel	FWD	2198	74	101	07.06-05.11	■
100 Multijet 2,2 D (4HV)		Diesel	FWD	2198	74	101	07.06-05.11	■
110 Multijet 2,3 D (F1AE3481G)		Diesel	FWD	2287	83	113	10.11-07.14	■
110 Multijet 2,3 D (F1AE3481G)		Diesel	FWD	2287	83	113	10.11-07.14	■
120 Multijet 2,3 D (F1AE0481D)		Diesel	FWD	2287	88	120	07.06-10.13	■
120 Multijet 2,3 D (F1AE0481D)		Diesel	FWD	2287	88	120	07.06-10.13	■
130 Multijet 2,3 D		Diesel	FWD	2287	93	126	01.10-	■
130 Multijet 2,3 D		Diesel	FWD	2287	93	126	01.10-	■
130 Multijet 2,3 D (F1AE0481N)		Diesel	FWD	2287	96	131	01.07-	■
130 Multijet 2,3 D (F1AE0481N)		Diesel	FWD	2287	96	131	01.07-	■
130 Multijet 2,3 D (F1AE3481D)		Diesel	FWD	2287	96	131	01.07-	■
130 Multijet 2,3 D (F1AE3481D)		Diesel	FWD	2287	96	131	01.07-	■
130 Multijet 2,3 D (F1AGL411D)		Diesel	FWD	2287	96	131	01.07-	■
130 Multijet 2,3 D (F1AGL411D)		Diesel	FWD	2287	96	131	01.07-	■
150 Multijet 2,3 D (F1AE3481E)		Diesel	FWD	2287	109	148	06.11-	■
150 Multijet 2,3 D (F1AE3481E)		Diesel	FWD	2287	109	148	06.11-	■
150 Multijet 2,3 D (F1AGL411A)		Diesel	FWD	2287	110	150	04.15-	■
150 Multijet 2,3 D (F1AGL411A)		Diesel	FWD	2287	110	150	04.15-	■
150 Multijet 2,3 D (F1AGL411C)		Diesel	FWD	2287	110	150	04.15-	■
150 Multijet 2,3 D (F1AGL411C)		Diesel	FWD	2287	110	150	04.15-	■
180 Multijet 2,3 D		Diesel	FWD	2287	130	177	12.15-	■
180 Multijet 2,3 D		Diesel	FWD	2287	130	177	12.15-	■
150 Multijet 3,0 D (F1CE3481N)		Diesel	FWD	2999	107	146	04.10-07.14	■
150 Multijet 3,0 D (F1CE3481N)		Diesel	FWD	2999	107	146	04.10-07.14	■
160 Multijet 3,0 D (F1CE0481D)		Diesel	FWD	2999	115	156	10.06-05.11	■
160 Multijet 3,0 D (F1CE0481D)		Diesel	FWD	2999	115	156	10.06-05.11	■
160 Multijet 3,0 D (F1CE0481D)		Diesel	FWD	2999	116	158	07.06-05.11	■
160 Multijet 3,0 D (F1CE0481D)		Diesel	FWD	2999	116	158	07.06-05.11	■
160 Multijet 3,0 D (F1CE3481M)		Diesel	FWD	2999	116	158	07.06-05.11	■
160 Multijet 3,0 D (F1CE3481M)		Diesel	FWD	2999	116	158	07.06-05.11	■
180 Multijet 3,0 D (F1CE3481E)		Diesel	FWD	2999	130	177	06.11-	■
180 Multijet 3,0 D (F1CE3481E)		Diesel	FWD	2999	130	177	06.11-	■
140 Natural Power (F1CE0441A)		CNG	FWD	2999	100	136	04.09-	■
140 Natural Power (F1CE0441A)		CNG	FWD	2999	100	136	04.09-	■
140 Natural Power (F1CFA401A)		CNG	FWD	2999	100	136	04.09-	■
140 Natural Power (F1CFA401A)		CNG	FWD	2999	100	136	04.09-	■
DUCATO III (250_) 07.06-						Platform/Chassis (LCVs-N1 Segment)		
115 Multijet 2,0 D (250 A1.000)		Diesel	FWD	1956	85	116	06.11-	■
115 Multijet 2,0 D (250 A1.000)		Diesel	FWD	1956	85	116	06.11-	■
115 Multijet 2,0 D (250 A2.000)		Diesel	FWD	1956	85	116	06.11-	■

LISTA DE APLICACIONES - BUYERS GUIDE

115 Multijet 2,0 D (250 A2.000)		Diesel	FWD	1956	85	116	06.11-	■
100 Multijet 2,2 D (4HV)		Diesel	FWD	2198	74	101	07.06-05.11	■
100 Multijet 2,2 D (4HV)		Diesel	FWD	2198	74	101	07.06-05.11	■
110 Multijet 2,3 D (F1AE3481G)		Diesel	FWD	2287	83	113	10.11-07.14	■
110 Multijet 2,3 D (F1AE3481G)		Diesel	FWD	2287	83	113	10.11-07.14	■
120 Multijet 2,3 D (F1AE0481D)		Diesel	FWD	2287	88	120	07.06-	■
120 Multijet 2,3 D (F1AE0481D)		Diesel	FWD	2287	88	120	07.06-	■
120 Multijet 2,3 D (F1AGL4114)		Diesel	FWD	2287	88	120	07.06-	■
120 Multijet 2,3 D (F1AGL4114)		Diesel	FWD	2287	88	120	07.06-	■
120 Multijet 2,3 D 4x4 (F1AE0481D)		Diesel	4WD	2287	88	120	03.10-	■
120 Multijet 2,3 D 4x4 (F1AE0481D)		Diesel	4WD	2287	88	120	03.10-	■
130 Multijet 2,3 D		Diesel	FWD	2287	93	126	08.06-	■
130 Multijet 2,3 D		Diesel	FWD	2287	93	126	08.06-	■
130 Multijet 2,3 D (F1AE0481N)		Diesel	FWD	2287	96	131	08.06-	■
130 Multijet 2,3 D (F1AE0481N)		Diesel	FWD	2287	96	131	08.06-	■
130 Multijet 2,3 D (F1AE3481D)		Diesel	FWD	2287	96	131	08.06-	■
130 Multijet 2,3 D (F1AE3481D)		Diesel	FWD	2287	96	131	08.06-	■
130 Multijet 2,3 D (F1AGL411D)		Diesel	FWD	2287	96	131	08.06-	■
130 Multijet 2,3 D (F1AGL411D)		Diesel	FWD	2287	96	131	08.06-	■
150 Multijet 2,3 D (F1AE3481E)		Diesel	FWD	2287	109	148	06.11-	■
150 Multijet 2,3 D (F1AE3481E)		Diesel	FWD	2287	109	148	06.11-	■
150 Multijet 2,3 D (F1AGL411C)		Diesel	FWD	2287	110	150	12.15-	■
150 Multijet 2,3 D (F1AGL411C)		Diesel	FWD	2287	110	150	12.15-	■
180 Multijet 2,3 D (F1AGL4111)		Diesel	FWD	2287	130	177	12.15-	■
180 Multijet 2,3 D (F1AGL4111)		Diesel	FWD	2287	130	177	12.15-	■
180 Multijet 2,3 D (F1AGL411B)		Diesel	FWD	2287	130	177	12.15-	■
180 Multijet 2,3 D (F1AGL411B)		Diesel	FWD	2287	130	177	12.15-	■
150 Multijet 3,0 D (F1CE3481N)		Diesel	FWD	2999	107	146	04.10-07.14	■
150 Multijet 3,0 D (F1CE3481N)		Diesel	FWD	2999	107	146	04.10-07.14	■
160 Multijet 3,0 D (F1CE3481M)		Diesel	FWD	2999	115	156	07.06-05.11	■
160 Multijet 3,0 D (F1CE3481M)		Diesel	FWD	2999	115	156	07.06-05.11	■
160 Multijet 3,0 D (F1CE0481D)		Diesel	FWD	2999	116	158	07.06-05.14	■
160 Multijet 3,0 D (F1CE0481D)		Diesel	FWD	2999	116	158	07.06-05.14	■
180 Multijet 3,0 D (F1CE3481E)		Diesel	FWD	2999	130	177	06.11-	■
180 Multijet 3,0 D (F1CE3481E)		Diesel	FWD	2999	130	177	06.11-	■
140 Natural Power (F1CE0441A)		CNG	FWD	2999	100	136	04.09-	■
140 Natural Power (F1CE0441A)		CNG	FWD	2999	100	136	04.09-	■
140 Natural Power (F1CFA401A)		CNG	FWD	2999	100	136	04.09-	■
140 Natural Power (F1CFA401A)		CNG	FWD	2999	100	136	04.09-	■
DUCATO III (250_) 07.06-								
								Van (LCVs-N1 Segment)
115 Multijet 2,0 D (250 A1.000)		Diesel	FWD	1956	85	116	06.11-	■
115 Multijet 2,0 D (250 A1.000)		Diesel	FWD	1956	85	116	06.11-	■
115 Multijet 2,0 D (250 A2.000)		Diesel	FWD	1956	85	116	06.11-	■
115 Multijet 2,0 D (250 A2.000)		Diesel	FWD	1956	85	116	06.11-	■
100 Multijet 2,2 D (4HV)		Diesel	FWD	2198	74	101	07.06-05.11	■
100 Multijet 2,2 D (4HV)		Diesel	FWD	2198	74	101	07.06-05.11	■
110 Multijet 2,3 D (F1AE3481G)		Diesel	FWD	2287	83	113	10.11-07.14	■
110 Multijet 2,3 D (F1AE3481G)		Diesel	FWD	2287	83	113	10.11-07.14	■
120 Multijet 2,3 D (F1AE0481D)		Diesel	FWD	2287	88	120	07.06-	■
120 Multijet 2,3 D (F1AE0481D)		Diesel	FWD	2287	88	120	07.06-	■
120 Multijet 2,3 D (F1AGL4114)		Diesel	FWD	2287	88	120	07.06-	■

LISTA DE APLICACIONES - BUYERS GUIDE

120 Multijet 2,3 D (F1AGL4114)		Diesel	FWD	2287	88	120	07.06-	■
120 Multijet 2,3 D 4x4 (F1AE0481D)		Diesel	4WD	2287	88	120	03.10-	■
120 Multijet 2,3 D 4x4 (F1AE0481D)		Diesel	4WD	2287	88	120	03.10-	■
130 Multijet 2,3 D		Diesel	FWD	2287	93	126	08.06-12.18	■
130 Multijet 2,3 D		Diesel	FWD	2287	93	126	08.06-12.18	■
130 Multijet 2,3 D (F1AE0481N)		Diesel	FWD	2287	96	131	08.06-	■
130 Multijet 2,3 D (F1AE0481N)		Diesel	FWD	2287	96	131	08.06-	■
130 Multijet 2,3 D (F1AE3481D)		Diesel	FWD	2287	96	131	08.06-	■
130 Multijet 2,3 D (F1AE3481D)		Diesel	FWD	2287	96	131	08.06-	■
130 Multijet 2,3 D (F1AGL411D)		Diesel	FWD	2287	96	131	08.06-	■
130 Multijet 2,3 D (F1AGL411D)		Diesel	FWD	2287	96	131	08.06-	■
150 Multijet 2,3 D (F1AE3481E)		Diesel	FWD	2287	109	148	06.11-	■
150 Multijet 2,3 D (F1AE3481E)		Diesel	FWD	2287	109	148	06.11-	■
150 Multijet 2,3 D (F1AGL411A)		Diesel	FWD	2287	110	150	12.15-	■
150 Multijet 2,3 D (F1AGL411A)		Diesel	FWD	2287	110	150	12.15-	■
150 Multijet 2,3 D (F1AGL411C)		Diesel	FWD	2287	110	150	12.15-	■
150 Multijet 2,3 D (F1AGL411C)		Diesel	FWD	2287	110	150	12.15-	■
180 Multijet 2,3 D (F1AGL4111)		Diesel	FWD	2287	130	177	12.15-	■
180 Multijet 2,3 D (F1AGL4111)		Diesel	FWD	2287	130	177	12.15-	■
180 Multijet 2,3 D (F1AGL411B)		Diesel	FWD	2287	130	177	12.15-	■
180 Multijet 2,3 D (F1AGL411B)		Diesel	FWD	2287	130	177	12.15-	■
150 Multijet 3,0 D (F1CE3481N)		Diesel	FWD	2999	107	146	04.10-07.14	■
150 Multijet 3,0 D (F1CE3481N)		Diesel	FWD	2999	107	146	04.10-07.14	■
160 Multijet 3,0 D (F1CE3481M)		Diesel	FWD	2999	115	156	07.06-12.11	■
160 Multijet 3,0 D (F1CE3481M)		Diesel	FWD	2999	115	156	07.06-12.11	■
160 Multijet 3,0 D (F1CE0481D)		Diesel	FWD	2999	116	158	07.06-05.11	■
160 Multijet 3,0 D (F1CE0481D)		Diesel	FWD	2999	116	158	07.06-05.11	■
180 Multijet 3,0 D (F1CE3481E)		Diesel	FWD	2999	130	177	06.11-	■
180 Multijet 3,0 D (F1CE3481E)		Diesel	FWD	2999	130	177	06.11-	■
140 Natural Power (F1CE0441A)		CNG	FWD	2999	100	136	04.09-	■
140 Natural Power (F1CE0441A)		CNG	FWD	2999	100	136	04.09-	■
140 Natural Power (F1CFA401A)		CNG	FWD	2999	100	136	04.09-	■
140 Natural Power (F1CFA401A)		CNG	FWD	2999	100	136	04.09-	■

PEUGEOT

BOXER III / MANAGER 09.05-							Bus (Minibus-M2-Segment)	
2.0 BlueHDi 110 (AHM (DW10FUE))		Diesel	FWD	1997	81	110	07.15-09.19	■
2.0 BlueHDi 110 (AHM (DW10FUE))		Diesel	FWD	1997	81	110	07.15-09.19	■
2.0 BlueHDi 130 (AHN (DW10FUD))		Diesel	FWD	1997	96	130	07.15-09.19	■
2.0 BlueHDi 130 (AHN (DW10FUD))		Diesel	FWD	1997	96	130	07.15-09.19	■
2.0 BlueHDi 160 (AHP (DW10FUC))		Diesel	FWD	1997	120	163	07.15-09.19	■
2.0 BlueHDi 160 (AHP (DW10FUC))		Diesel	FWD	1997	120	163	07.15-09.19	■
2.2 HDi 100 (4HV (P22DTE))		Diesel	FWD	2198	74	101	04.06-	■
2.2 HDi 100 (4HV (P22DTE))		Diesel	FWD	2198	74	101	04.06-	■
2.2 HDi 110 (4HG (P22DTE))		Diesel	FWD	2198	81	110	03.11-12.20	■
2.2 HDi 110 (4HG (P22DTE))		Diesel	FWD	2198	81	110	03.11-12.20	■
2.2 HDi 120 (4HU (P22DTE))		Diesel	FWD	2198	88	120	04.06-12.16	■
2.2 HDi 120 (4HU (P22DTE))		Diesel	FWD	2198	88	120	04.06-12.16	■
2.2 HDi 130 (4HH (P22DTE))		Diesel	FWD	2198	96	131	03.11-	■
2.2 HDi 130 (4HH (P22DTE))		Diesel	FWD	2198	96	131	03.11-	■
2.2 HDi 150 (4HJ (P22DTE))		Diesel	FWD	2198	110	150	03.11-	■
2.2 HDi 150 (4HJ (P22DTE))		Diesel	FWD	2198	110	150	03.11-	■

LISTA DE APLICACIONES - BUYERS GUIDE

3.0 HDi 145 (F1CE3481N (F30DTE))		Diesel	FWD	2999	107	146	04.10-12.13	■	
3.0 HDi 145 (F1CE3481N (F30DTE))		Diesel	FWD	2999	107	146	04.10-12.13	■	
3.0 HDi 160 (F1CE0481D (F30DT))		Diesel	FWD	2999	115	156	04.06-12.15	■	
3.0 HDi 160 (F1CE0481D (F30DT))		Diesel	FWD	2999	115	156	04.06-12.15	■	
3.0 HDi 175 (F1CE3481E (F30DTE))		Diesel	FWD	2999	130	177	03.11-	■	
3.0 HDi 175 (F1CE3481E (F30DTE))		Diesel	FWD	2999	130	177	03.11-	■	
BOXER III / MANAGER 04.06-							Platform/Chassis (LCVs-N1 Segment)		
2.0 BlueHDi 110 (AHM (DW10FUE))		Diesel	FWD	1997	81	110	03.16-09.19	■	
2.0 BlueHDi 110 (AHM (DW10FUE))		Diesel	FWD	1997	81	110	03.16-09.19	■	
2.0 BlueHDi 130 (AHN (DW10FUD))		Diesel	FWD	1997	96	130	03.16-09.19	■	
2.0 BlueHDi 130 (AHN (DW10FUD))		Diesel	FWD	1997	96	130	03.16-09.19	■	
2.0 BlueHDi 160 (AHP (DW10FUC))		Diesel	FWD	1997	120	163	03.16-12.23	■	
2.0 BlueHDi 160 (AHP (DW10FUC))		Diesel	FWD	1997	120	163	03.16-12.23	■	
2.2 HDi 100 (4HV (P22DTE))		Diesel	FWD	2198	74	101	04.06-	■	
2.2 HDi 100 (4HV (P22DTE))		Diesel	FWD	2198	74	101	04.06-	■	
2.2 HDi 110 (4HG (P22DTE))		Diesel	FWD	2198	81	110	03.11-12.20	■	
2.2 HDi 110 (4HG (P22DTE))		Diesel	FWD	2198	81	110	03.11-12.20	■	
2.2 HDi 120 (4HU (P22DTE))		Diesel	FWD	2198	88	120	04.06-12.16	■	
2.2 HDi 120 (4HU (P22DTE))		Diesel	FWD	2198	88	120	04.06-12.16	■	
2.2 HDi 130 (4HH (P22DTE))		Diesel	FWD	2198	96	131	04.06-	■	
2.2 HDi 130 (4HH (P22DTE))		Diesel	FWD	2198	96	131	04.06-	■	
2.2 HDi 150 (4HJ (P22DTE))		Diesel	FWD	2198	110	150	03.11-	■	
2.2 HDi 150 (4HJ (P22DTE))		Diesel	FWD	2198	110	150	03.11-	■	
3.0 HDi 145 (F1CE3481N (F30DTE))		Diesel	FWD	2999	107	146	04.10-12.13	■	
3.0 HDi 145 (F1CE3481N (F30DTE))		Diesel	FWD	2999	107	146	04.10-12.13	■	
3.0 HDi 155 (F1CE0481D (F30DT))		Diesel	FWD	2999	115	156	04.06-12.15	■	
3.0 HDi 155 (F1CE0481D (F30DT))		Diesel	FWD	2999	115	156	04.06-12.15	■	
3.0 HDi 160 (F1CE0481D (F30DT))		Diesel	FWD	2999	116	156	04.06-12.15	■	
3.0 HDi 160 (F1CE0481D (F30DT))		Diesel	FWD	2999	116	156	04.06-12.15	■	
3.0 HDi 175 (F1CE3481E (F30DTE))		Diesel	FWD	2999	130	177	03.11-	■	
3.0 HDi 175 (F1CE3481E (F30DTE))		Diesel	FWD	2999	130	177	03.11-	■	
BOXER III / MANAGER 04.06-							Van (LCVs-N1 Segment)		
2.0 BlueHDi 110 (AHM (DW10FUE))		Diesel	FWD	1997	81	110	03.16-09.19	■	
2.0 BlueHDi 110 (AHM (DW10FUE))		Diesel	FWD	1997	81	110	03.16-09.19	■	
2.0 BlueHDi 130 (AHN (DW10FUD))		Diesel	FWD	1997	96	130	03.16-09.19	■	
2.0 BlueHDi 130 (AHN (DW10FUD))		Diesel	FWD	1997	96	130	03.16-09.19	■	
2.0 BlueHDi 160 (AHP (DW10FUC))		Diesel	FWD	1997	120	163	03.16-12.23	■	
2.0 BlueHDi 160 (AHP (DW10FUC))		Diesel	FWD	1997	120	163	03.16-12.23	■	
2.2 HDi 100 (4HV (P22DTE))		Diesel	FWD	2198	74	101	04.06-	■	
2.2 HDi 100 (4HV (P22DTE))		Diesel	FWD	2198	74	101	04.06-	■	
2.2 HDi 110 (4HG (P22DTE))		Diesel	FWD	2198	81	110	03.11-12.20	■	
2.2 HDi 110 (4HG (P22DTE))		Diesel	FWD	2198	81	110	03.11-12.20	■	
2.2 HDi 120 (4HU (P22DTE))		Diesel	FWD	2198	88	120	04.06-12.16	■	
2.2 HDi 120 (4HU (P22DTE))		Diesel	FWD	2198	88	120	04.06-12.16	■	
2.2 HDi 130 (4HH (P22DTE))		Diesel	FWD	2198	96	131	03.11-	■	
2.2 HDi 130 (4HH (P22DTE))		Diesel	FWD	2198	96	131	03.11-	■	
2.2 HDi 150 (4HJ (P22DTE))		Diesel	FWD	2198	110	150	03.11-	■	
2.2 HDi 150 (4HJ (P22DTE))		Diesel	FWD	2198	110	150	03.11-	■	
3.0 HDi 145 (F1CE3481N (F30DTE))		Diesel	FWD	2999	107	146	04.10-12.13	■	
3.0 HDi 145 (F1CE3481N (F30DTE))		Diesel	FWD	2999	107	146	04.10-12.13	■	

LISTA DE APLICACIONES - BUYERS GUIDE

3.0 HDi 155 (F1CE0481D (F30DT))		Diesel	FWD	2999	115	156	07.06-12.15	■
3.0 HDi 155 (F1CE0481D (F30DT))		Diesel	FWD	2999	115	156	07.06-12.15	■
3.0 HDi 160 (F1CE0481D (F30DT))		Diesel	FWD	2999	116	156	04.06-12.15	■
3.0 HDi 160 (F1CE0481D (F30DT))		Diesel	FWD	2999	116	156	04.06-12.15	■
3.0 HDi 175 (F1CE3481E (F30DTE))		Diesel	FWD	2999	130	177	03.11-	■
3.0 HDi 175 (F1CE3481E (F30DTE))		Diesel	FWD	2999	130	177	03.11-	■