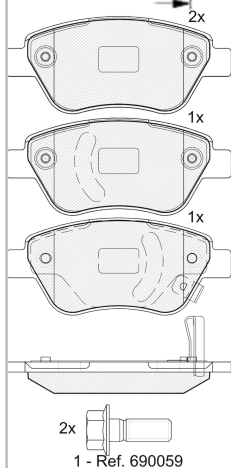
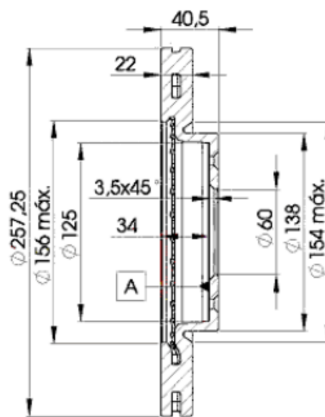
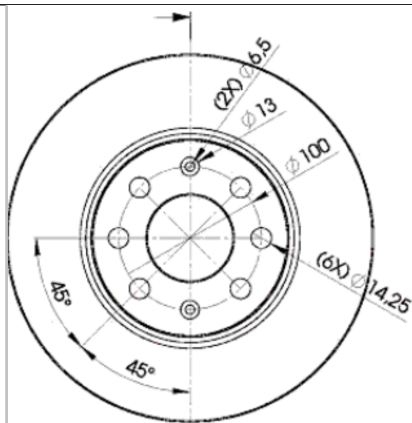


LISTA DE APLICACIONES - BUYERS GUIDE

31810-0920



Weight: 13.080



31810-0920



Bosch

122.9x53.2x17.8

Ø257x22x40.5

WVA

23982

24288

MAKE

OPEL

VAUXHALL



Trac.	CC	Kw	CV
-------	----	----	----



Front / Rear

OPEL

							Hatchback (Supermini car-B Segment)			
CORSA D (S07) 07.06-										
1.0 (L08, L68) (Z 10 XEP)		Gasolina	FWD	998	44	60	07.06-12.10	■		
1.0 (L08, L68) (Z 10 XEP)		Gasolina	FWD	998	44	60	07.06-12.10	■		
1.2 (L08, L68) (Z 12 XEP)		Gasolina	FWD	1229	59	80	07.06-08.14	■		
1.2 (L08, L68) (Z 12 XEP)		Gasolina	FWD	1229	59	80	07.06-08.14	■		
1.4 (L08, L68) (A 14 XEL)		Gasolina	FWD	1398	64	87	09.09-08.14	■		
1.4 (L08, L68) (A 14 XEL)		Gasolina	FWD	1398	64	87	09.09-08.14	■		
1.2 LPG (L08, L68) (Z 12 XEP)		Gasol./G as (LPG)	FWD	1229	59	80	08.06-08.14	■		
1.2 LPG (L08, L68) (Z 12 XEP)		Gasol./G as (LPG)	FWD	1229	59	80	08.06-08.14	■		
1.4 LPG (L08, L68) (Z 14 XEP)		Gasol./G as (LPG)	FWD	1364	66	90	08.06-12.11	■		
1.4 LPG (L08, L68) (Z 14 XEP)		Gasol./G as (LPG)	FWD	1364	66	90	08.06-12.11	■		
1.3 CDTI (L08, L68) (A 13 DTC)		Diesel	FWD	1248	55	75	07.06-08.14	■		
1.3 CDTI (L08, L68) (A 13 DTC)		Diesel	FWD	1248	55	75	07.06-08.14	■		
1.3 CDTI (L08, L68) (Z 13 DTJ)		Diesel	FWD	1248	55	75	07.06-08.14	■		
1.3 CDTI (L08, L68) (Z 13 DTJ)		Diesel	FWD	1248	55	75	07.06-08.14	■		

VAUXHALL

							Hatchback (Supermini car-B Segment)			
CORSA Mk III (D) (S07) 07.06-08.14										
1.0 (L08) (Z 10 XEP)		Gasolina	FWD	998	44	60	08.06-08.14	■		
1.0 (L08) (Z 10 XEP)		Gasolina	FWD	998	44	60	08.06-08.14	■		
1.2 (L08) (A 12 XEL)		Gasolina	FWD	1229	51	69	06.10-08.14	■		
1.2 (L08) (A 12 XEL)		Gasolina	FWD	1229	51	69	06.10-08.14	■		

LISTA DE APLICACIONES - BUYERS GUIDE

1.2 (L08) (Z 12 XEP)		Gasolina	FWD	1229	59	80	08.06-08.14	■
1.2 (L08) (Z 12 XEP)		Gasolina	FWD	1229	59	80	08.06-08.14	■
1.4 (L08) (Z 14 XEP)		Gasolina	FWD	1364	66	90	08.06-08.14	■
1.4 (L08) (Z 14 XEP)		Gasolina	FWD	1364	66	90	08.06-08.14	■
1.2 LPG (L08) (Z 12 XEP)		Gasol./Gas (LPG)	FWD	1229	59	80	09.09-08.14	■
1.2 LPG (L08) (Z 12 XEP)		Gasol./Gas (LPG)	FWD	1229	59	80	09.09-08.14	■
1.2 LPG		Gasol./Gas (LPG)	FWD	1229	61	83	06.11-08.14	■
1.2 LPG		Gasol./Gas (LPG)	FWD	1229	61	83	06.11-08.14	■
1.2 LPG (L08) (A 12 XER)		Gasol./Gas (LPG)	FWD	1229	63	86	08.11-08.14	■
1.2 LPG (L08) (A 12 XER)		Gasol./Gas (LPG)	FWD	1229	63	86	08.11-08.14	■
1.4 LPG (L08) (Z 14 XEP)		Gasol./Gas (LPG)	FWD	1364	66	90	07.06-08.14	■
1.4 LPG (L08) (Z 14 XEP)		Gasol./Gas (LPG)	FWD	1364	66	90	07.06-08.14	■
1.4 LPG		Gasol./Gas (LPG)	FWD	1398	64	87	09.09-08.14	■
1.4 LPG		Gasol./Gas (LPG)	FWD	1398	64	87	09.09-08.14	■