

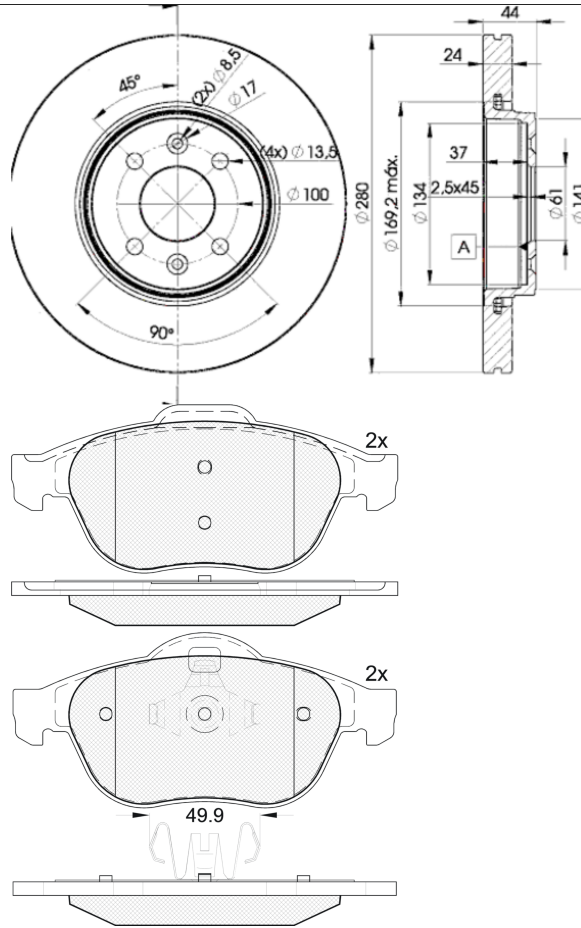
LISTA DE APLICACIONES - BUYERS GUIDE

31861-7829



8 424073 104229

Weight: 17.521



31861-7829



Ate - Teves

155.2x70.95x18.3
Ø280x24x44

WVA
24536

MAKE
RENAULT



Trac.	CC	Kw	CV
-------	----	----	----



Front / Rear

RENAULT

GRAND SCÉNIC II (JM0/1_) 04.04-

MPV (Compact MPV-M1 Segment)

Model	Year	Trac.	CC	Kw	CV	Period	Icon
1.6 (K4M 788)		Gasolina	FWD	1598	77	105 06.06-11.08	■
1.6 (K4M 788)		Gasolina	FWD	1598	77	105 06.06-11.08	■
1.6 (K4M 761)		Gasolina	FWD	1598	83	113 04.04-08.06	■
1.6 (K4M 761)		Gasolina	FWD	1598	83	113 04.04-08.06	■
1.6 (K4M 782)		Gasolina	FWD	1598	83	113 04.04-08.06	■
1.6 (K4M 782)		Gasolina	FWD	1598	83	113 04.04-08.06	■

MEGANE II (EM0/1_) 09.03-03.10

Convertible (Compact car-C Segment)

Model	Year	Trac.	CC	Kw	CV	Period	Icon
2.0 16V Turbo (F4R 776)	01/05-	Gasolina	FWD	1998	120	163 05.04-03.09	■
2.0 16V Turbo (F4R 776)	01/05-	Gasolina	FWD	1998	120	163 05.04-03.09	■

MEGANE II (BM0/1_, CM0/1_) 07.01-10.12

Hatchback (Compact car-C Segment)

Model	Year	Trac.	CC	Kw	CV	Period	Icon
2.0 16V Turbo (F4R 776)	01/05-	Gasolina	FWD	1998	120	163 05.04-02.08	■
2.0 16V Turbo (F4R 776)	01/05-	Gasolina	FWD	1998	120	163 05.04-02.08	■