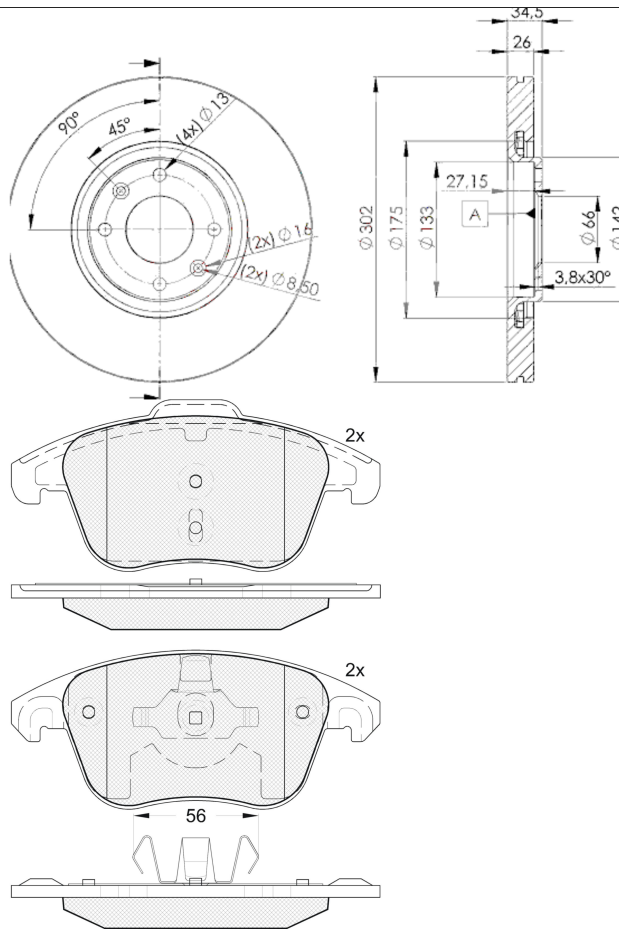


LISTA DE APLICACIONES - BUYERS GUIDE

31866-4698



Weight: 20.068



31866-4698



Ate - Teves

155.2x66.97x19.5
Ø302x26x34.5

WVA

24557

24558

MAKE

CITROËN



Trac.

CC

Kw

CV



Front / Rear

CITROËN

C4 Grand Picasso (UA_) 10.06-

MPV (Large MPV-M1 Segment)

| Model | Trac. | CC | Kw | CV | Period | Icon |
|-------------------------------|----------|-----|------|-----|-----------------|------|
| 1.6 16V (5FT (EP6DT)) | Gasolina | FWD | 1598 | 103 | 140 07.08-12.10 | ■ |
| 1.6 16V (5FT (EP6DT)) | Gasolina | FWD | 1598 | 103 | 140 07.08-12.10 | ■ |
| 1.6 16V (5FX (EP6DT)) | Gasolina | FWD | 1598 | 110 | 150 10.08-08.13 | ■ |
| 1.6 16V (5FX (EP6DT)) | Gasolina | FWD | 1598 | 110 | 150 10.08-08.13 | ■ |
| 2.0 HDi 138 (RHJ (DW10BTED4)) | Diesel | FWD | 1997 | 100 | 136 10.06-12.13 | ■ |
| 2.0 HDi 138 (RHJ (DW10BTED4)) | Diesel | FWD | 1997 | 100 | 136 10.06-12.13 | ■ |
| 2.0 HDi 138 (RHR (DW10BTED4)) | Diesel | FWD | 1997 | 100 | 136 10.06-12.13 | ■ |
| 2.0 HDi 138 (RHR (DW10BTED4)) | Diesel | FWD | 1997 | 100 | 136 10.06-12.13 | ■ |

C4 Picasso (UD_) 10.06-12.15

MPV (Compact MPV-M1 Segment)

| Model | Trac. | CC | Kw | CV | Period | Icon |
|-------------------------------|----------|-----|------|-----|-----------------|------|
| 1.6 THP 140 (5FT (EP6DT)) | Gasolina | FWD | 1598 | 103 | 140 07.08-08.13 | ■ |
| 1.6 THP 140 (5FT (EP6DT)) | Gasolina | FWD | 1598 | 103 | 140 07.08-08.13 | ■ |
| 1.6 16V (5FX (EP6DT)) | Gasolina | FWD | 1598 | 110 | 150 07.08-08.13 | ■ |
| 1.6 16V (5FX (EP6DT)) | Gasolina | FWD | 1598 | 110 | 150 07.08-08.13 | ■ |
| 1.6 THP 155 (5FV (EP6CDT)) | Gasolina | FWD | 1598 | 115 | 156 09.10-08.13 | ■ |
| 1.6 THP 155 (5FV (EP6CDT)) | Gasolina | FWD | 1598 | 115 | 156 09.10-08.13 | ■ |
| 2.0 HDi 138 (RHJ (DW10BTED4)) | Diesel | FWD | 1997 | 100 | 136 10.06-08.13 | ■ |
| 2.0 HDi 138 (RHJ (DW10BTED4)) | Diesel | FWD | 1997 | 100 | 136 10.06-08.13 | ■ |
| 2.0 HDi 138 (RHR (DW10BTED4)) | Diesel | FWD | 1997 | 100 | 136 10.06-08.13 | ■ |
| 2.0 HDi 138 (RHR (DW10BTED4)) | Diesel | FWD | 1997 | 100 | 136 10.06-08.13 | ■ |