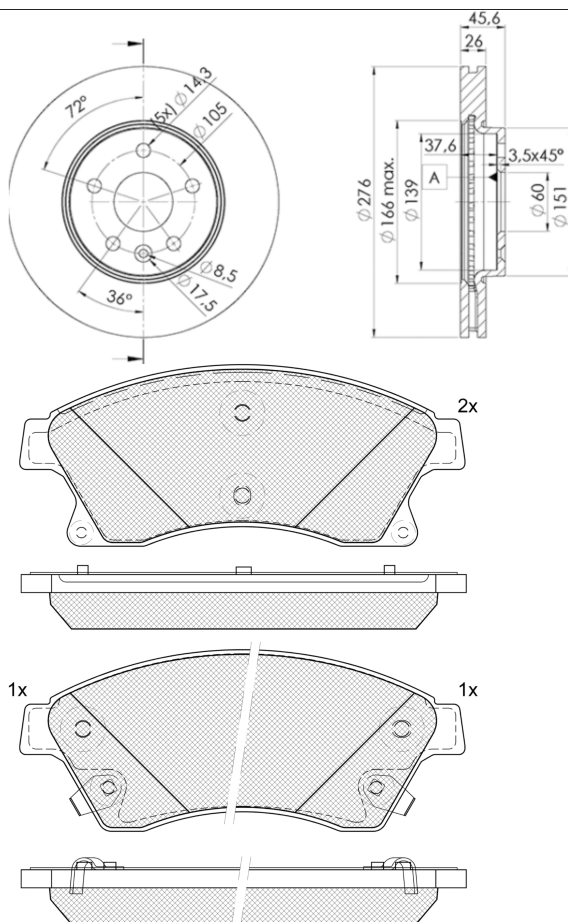


LISTA DE APLICACIONES - BUYERS GUIDE

31942-1559



Weight: 16.385



31942-1559



Bosch

148.1x60.4x18.8

Ø276x26x45.6

WVA

25031

25032

25033

MAKE

BUICK (SGM)

CHEVROLET

CHEVROLET (SGM)

HOLDEN

NISSAN

OPEL

VAUXHALL



Trac.	CC	Kw	CV
-------	----	----	----



Front / Rear

BUICK (SGM)

EXCELLE GT (CP2) 06.10-

Saloon (Compact car-C Segment)

Engine	Trac.	CC	Kw	CV	Year	Icon
1.6	Gasolina	FWD	1598	89	121 06.10-	■
1.6	Gasolina	FWD	1598	89	121 06.10-	■
1.8 T	Gasolina	FWD	1796	108	147 06.10-	■
1.8 T	Gasolina	FWD	1796	108	147 06.10-	■

EXCELLE XT (CP2) 01.10-12.15

Hatchback (Compact car-C Segment)

Engine	Trac.	CC	Kw	CV	Year	Icon
1.6	Gasolina	FWD	1598	89	121 01.10-	■
1.6	Gasolina	FWD	1598	89	121 01.10-	■
1.8	Gasolina	FWD	1796	108	147 01.10-	■
1.8	Gasolina	FWD	1796	108	147 01.10-	■

CHEVROLET

AVEO II / SONIC (T300) 03.11-

Hatchback (Supermini car-B Segment)

Engine	Trac.	CC	Kw	CV	Year	Icon
1.2 (LWD)	Gasolina	FWD	1229	51	69 03.11-	■
1.2 (LWD)	Gasolina	FWD	1229	51	69 03.11-	■
1.2 (LDC)	Gasolina	FWD	1229	63	86 03.11-	■
1.2 (LDC)	Gasolina	FWD	1229	63	86 03.11-	■
1.4 Turbo (LUJ)	Gasolina	FWD	1364	103	140 08.13-	■
1.4 Turbo (LUJ)	Gasolina	FWD	1364	103	140 08.13-	■
1.4 (A 14 XER)	Gasolina	FWD	1398	74	101 03.11-	■
1.4 (A 14 XER)	Gasolina	FWD	1398	74	101 03.11-	■
1.4 (LDD)	Gasolina	FWD	1398	74	101 03.11-	■
1.4 (LDD)	Gasolina	FWD	1398	74	101 03.11-	■
1.6 (LDE)	Gasolina	FWD	1598	85	116 03.11-	■

LISTA DE APLICACIONES - BUYERS GUIDE

1.6 (LDE)		Gasolina	FWD	1598	85	116	03.11-	■	
1.6		Gasolina	FWD	1598	88	120	06.11-	■	
1.6		Gasolina	FWD	1598	88	120	06.11-	■	
1.8		Gasolina	FWD	1796	101	137	09.11-07.15	■	
1.8		Gasolina	FWD	1796	101	137	09.11-07.15	■	
1.8		Gasolina	FWD	1796	103	140	07.15-12.18	■	
1.8		Gasolina	FWD	1796	103	140	07.15-12.18	■	
1.2 LPG (LDC)		Gasol./Gas (LPG)	FWD	1229	63	86	11.12-12.15	■	
1.2 LPG (LDC)		Gasol./Gas (LPG)	FWD	1229	63	86	11.12-12.15	■	
1.6 Flex		Gasol./Etanol	FWD	1598	88	120	06.12-12.14	■	
1.6 Flex		Gasol./Etanol	FWD	1598	88	120	06.12-12.14	■	
1.8 Flexfuel		Gasol./Etanol	FWD	1796	101	137	09.13-07.15	■	
1.8 Flexfuel		Gasol./Etanol	FWD	1796	101	137	09.13-07.15	■	
1.8 Flexfuel		Gasol./Etanol	FWD	1796	103	140	07.15-12.18	■	
1.8 Flexfuel		Gasol./Etanol	FWD	1796	103	140	07.15-12.18	■	
1.3 D (LDV)		Diesel	FWD	1248	55	75	07.11-12.15	■	
1.3 D (LDV)		Diesel	FWD	1248	55	75	07.11-12.15	■	
1.3 D (LSF)		Diesel	FWD	1248	70	95	07.11-12.15	■	
1.3 D (LSF)		Diesel	FWD	1248	70	95	07.11-12.15	■	
AVEO II / SONIC (T300) 03.11-							Saloon (Supermini car-B Segment)		
1.2 (LWD)		Gasolina	FWD	1229	51	69	03.11-	■	
1.2 (LWD)		Gasolina	FWD	1229	51	69	03.11-	■	
1.2 (LDC)		Gasolina	FWD	1229	63	86	03.11-	■	
1.2 (LDC)		Gasolina	FWD	1229	63	86	03.11-	■	
1.4 (LUV)		Gasolina	FWD	1364	103	140	09.11-	■	
1.4 (LUV)		Gasolina	FWD	1364	103	140	09.11-	■	
1.4 (A 14 XER)		Gasolina	FWD	1398	74	100	07.11-	■	
1.4 (A 14 XER)		Gasolina	FWD	1398	74	100	07.11-	■	
1.4 (LDD)		Gasolina	FWD	1398	74	100	07.11-	■	
1.4 (LDD)		Gasolina	FWD	1398	74	100	07.11-	■	
1.6 (LDE)		Gasolina	FWD	1598	85	116	03.11-	■	
1.6 (LDE)		Gasolina	FWD	1598	85	116	03.11-	■	
1.8		Gasolina	FWD	1796	101	137	09.11-07.15	■	
1.8		Gasolina	FWD	1796	101	137	09.11-07.15	■	
1.8		Gasolina	FWD	1796	103	140	07.15-12.18	■	
1.8		Gasolina	FWD	1796	103	140	07.15-12.18	■	
1.2 LPG (LDC)		Gasol./Gas (LPG)	FWD	1229	63	86	11.12-12.15	■	
1.2 LPG (LDC)		Gasol./Gas (LPG)	FWD	1229	63	86	11.12-12.15	■	
1.6 Flexfuel		Gasol./Etanol	FWD	1598	88	120	06.12-	■	
1.6 Flexfuel		Gasol./Etanol	FWD	1598	88	120	06.12-	■	
1.8 Flexfuel (LUW,LWE)		Gasol./Etanol	FWD	1796	101	137	09.13-07.15	■	
1.8 Flexfuel (LUW,LWE)		Gasol./Etanol	FWD	1796	101	137	09.13-07.15	■	
1.8 Flexfuel		Gasol./Etanol	FWD	1796	103	140	07.15-12.18	■	
1.8 Flexfuel		Gasol./Etanol	FWD	1796	103	140	07.15-12.18	■	

LISTA DE APLICACIONES - BUYERS GUIDE

1.3 D (LDV)		Diesel	FWD	1248	55	75	07.11-12.15	■	
1.3 D (LDV)		Diesel	FWD	1248	55	75	07.11-12.15	■	
1.3 D (LSF)		Diesel	FWD	1248	70	95	07.11-12.15	■	
1.3 D (LSF)		Diesel	FWD	1248	70	95	07.11-12.15	■	
AVEO / KALOS (T250, T255) 06.06-							Hatchback (Supermini car-B Segment)		
1.4 Flexfuel (F14D3)		Gasol./Etanol	FWD	1399	69	94	07.11-03.13	■	
1.4 Flexfuel (F14D3)		Gasol./Etanol	FWD	1399	69	94	07.11-03.13	■	
CRUZE I (J305) 12.10-							Hatchback (Supermini car-B Segment)		
1.4 (A 14 NET)		Gasolina	FWD	1364	103	140	06.12-	■	
1.4 (A 14 NET)		Gasolina	FWD	1364	103	140	06.12-	■	
1.4 (LUJ)		Gasolina	FWD	1364	103	140	06.12-	■	
1.4 (LUJ)		Gasolina	FWD	1364	103	140	06.12-	■	
1.4 (LDD)		Gasolina	FWD	1398	74	101	07.13-12.15	■	
1.4 (LDD)		Gasolina	FWD	1398	74	101	07.13-12.15	■	
1.6 (LXT)		Gasolina	FWD	1598	80	109	01.12-	■	
1.6 (LXT)		Gasolina	FWD	1598	80	109	01.12-	■	
1.6 (LDE)		Gasolina	FWD	1598	86	117	12.12-	■	
1.6 (LDE)		Gasolina	FWD	1598	86	117	12.12-	■	
1.6		Gasolina	FWD	1598	89	121	12.12-	■	
1.6		Gasolina	FWD	1598	89	121	12.12-	■	
1.6 (LDE)		Gasolina	FWD	1598	91	124	06.11-	■	
1.6 (LDE)		Gasolina	FWD	1598	91	124	06.11-	■	
1.6 T		Gasolina	FWD	1598	135	184	12.12-	■	
1.6 T		Gasolina	FWD	1598	135	184	12.12-	■	
1.8 (2H0)		Gasolina	FWD	1796	103	140	10.11-	■	
1.8 (2H0)		Gasolina	FWD	1796	103	140	10.11-	■	
1.8 (2H0)		Gasolina	FWD	1796	104	141	06.11-	■	
1.8 (2H0)		Gasolina	FWD	1796	104	141	06.11-	■	
1.8 Flex		Gasolina	FWD	1796	106	144	10.12-	■	
1.8 Flex		Gasolina	FWD	1796	106	144	10.12-	■	
1.8		Gasolina	FWD	1796	108	147	12.12-	■	
1.8		Gasolina	FWD	1796	108	147	12.12-	■	
1.8 LPG (2H0)		Gasol./Gas (LPG)	FWD	1796	104	141	06.11-12.15	■	
1.8 LPG (2H0)		Gasol./Gas (LPG)	FWD	1796	104	141	06.11-12.15	■	
1.7 TD (LKR)		Diesel	FWD	1686	81	110	08.13-12.15	■	
1.7 TD (LKR)		Diesel	FWD	1686	81	110	08.13-12.15	■	
1.7 D (LUD)		Diesel	FWD	1686	96	131	01.12-12.15	■	
1.7 D (LUD)		Diesel	FWD	1686	96	131	01.12-12.15	■	
2.0 CDI		Diesel	RWD	1991	110	150	01.12-	■	
2.0 CDI		Diesel	RWD	1991	110	150	01.12-	■	
2.0 VCDi		Diesel	RWD	1998	110	150	12.10-	■	
2.0 VCDi		Diesel	RWD	1998	110	150	12.10-	■	
2.0 CDI (LNP)		Diesel	FWD	1998	120	163	06.11-	■	
2.0 CDI (LNP)		Diesel	FWD	1998	120	163	06.11-	■	
CRUZE I (J300) 05.09-							Saloon (Supermini car-B Segment)		
1.4 (LUJ)		Gasolina	FWD	1364	103	140	09.10-	■	
1.4 (LUJ)		Gasolina	FWD	1364	103	140	09.10-	■	
1.4 (LDD)		Gasolina	FWD	1398	74	101	07.13-	■	

LISTA DE APLICACIONES - BUYERS GUIDE

1.4 (LDD)		Gasolina	FWD	1398	74	101	07.13-	■
1.6 (LXT)		Gasolina	FWD	1598	80	109	05.09-	■
1.6 (LXT)		Gasolina	FWD	1598	80	109	05.09-	■
1.6 (LDE)		Gasolina	FWD	1598	83	113	05.09-	■
1.6 (LDE)		Gasolina	FWD	1598	83	113	05.09-	■
1.6		Gasolina	FWD	1598	86	117	12.12-	■
1.6		Gasolina	FWD	1598	86	117	12.12-	■
1.6 (LDE)		Gasolina	FWD	1598	86	117	12.12-	■
1.6 (LDE)		Gasolina	FWD	1598	86	117	12.12-	■
1.6		Gasolina	FWD	1598	89	121	12.12-	■
1.6		Gasolina	FWD	1598	89	121	12.12-	■
1.6 (LDE)		Gasolina	FWD	1598	91	124	05.09-	■
1.6 (LDE)		Gasolina	FWD	1598	91	124	05.09-	■
1.6 T		Gasolina	FWD	1598	135	184	12.12-	■
1.6 T		Gasolina	FWD	1598	135	184	12.12-	■
1.8 (LUW,LWE)		Gasolina	FWD	1796	101	137	05.09-	■
1.8 (LUW,LWE)		Gasolina	FWD	1796	101	137	05.09-	■
1.8 (LUW)		Gasolina	FWD	1796	103	140	11.09-	■
1.8 (LUW)		Gasolina	FWD	1796	103	140	11.09-	■
1.8 (LWE)		Gasolina	FWD	1796	103	140	11.09-	■
1.8 (LWE)		Gasolina	FWD	1796	103	140	11.09-	■
1.8 (2H0)		Gasolina	FWD	1796	104	141	05.09-	■
1.8 (2H0)		Gasolina	FWD	1796	104	141	05.09-	■
1.8 Flex		Gasolina	FWD	1796	106	144	01.11-	■
1.8 Flex		Gasolina	FWD	1796	106	144	01.11-	■
1.8		Gasolina	FWD	1796	108	147	12.12-	■
1.8		Gasolina	FWD	1796	108	147	12.12-	■
1.8 LPG (2H0)		Gasol./Gas (LPG)	FWD	1796	104	141	06.11-	■
1.8 LPG (2H0)		Gasol./Gas (LPG)	FWD	1796	104	141	06.11-	■
1.8 Flex (LUW)		Gasol./Etanol	FWD	1796	101	137	09.13-	■
1.8 Flex (LUW)		Gasol./Etanol	FWD	1796	101	137	09.13-	■
1.8 Flex (LUW)		Gasol./Etanol	FWD	1796	103	140	08.15-	■
1.8 Flex (LUW)		Gasol./Etanol	FWD	1796	103	140	08.15-	■
1.7 TD (LKR)		Diesel	FWD	1686	81	110	11.13-	■
1.7 TD (LKR)		Diesel	FWD	1686	81	110	11.13-	■
1.7 D (LUD)		Diesel	FWD	1686	96	131	01.12-	■
1.7 D (LUD)		Diesel	FWD	1686	96	131	01.12-	■
2.0 CDI (LUZ)		Diesel	FWD	1956	110	150	09.13-	■
2.0 CDI (LUZ)		Diesel	FWD	1956	110	150	09.13-	■
2.0 CDI		Diesel	RWD	1956	113	154	09.13-12.15	■
2.0 CDI		Diesel	RWD	1956	113	154	09.13-12.15	■
2.0 CDI		Diesel	FWD	1991	90	123	05.09-	■
2.0 CDI		Diesel	FWD	1991	90	123	05.09-	■
2.0 CDI (LLW)		Diesel	FWD	1991	92	125	05.09-05.11	■
2.0 CDI (LLW)		Diesel	FWD	1991	92	125	05.09-05.11	■
2.0 CDI (LLW)		Diesel	FWD	1991	110	150	05.09-	■
2.0 CDI (LLW)		Diesel	FWD	1991	110	150	05.09-	■
2.0 CDI (LNP)		Diesel	FWD	1998	120	163	08.10-	■
2.0 CDI (LNP)		Diesel	FWD	1998	120	163	08.10-	■

LISTA DE APLICACIONES - BUYERS GUIDE

2.0 VCDi (LNP)		Diesel	FWD	1998	122	166	03.12-11.18	■	
2.0 VCDi (LNP)		Diesel	FWD	1998	122	166	03.12-11.18	■	
CRUZE I Station Wagon (J308) 08.12-					Estate (Supermini car-B Segment)				
1.4 (LUJ)		Gasolina	FWD	1364	103	140	08.12-	■	
1.4 (LUJ)		Gasolina	FWD	1364	103	140	08.12-	■	
1.4 (LDD)		Gasolina	FWD	1398	74	101	07.13-12.15	■	
1.4 (LDD)		Gasolina	FWD	1398	74	101	07.13-12.15	■	
1.6 (LDE)		Gasolina	FWD	1598	86	117	12.12-12.15	■	
1.6 (LDE)		Gasolina	FWD	1598	86	117	12.12-12.15	■	
1.6 (LDE)		Gasolina	FWD	1598	91	124	08.12-12.15	■	
1.6 (LDE)		Gasolina	FWD	1598	91	124	08.12-12.15	■	
1.8 (2H0)		Gasolina	FWD	1796	104	141	08.12-	■	
1.8 (2H0)		Gasolina	FWD	1796	104	141	08.12-	■	
1.7 TD (LKR)		Diesel	FWD	1686	81	110	11.13-12.15	■	
1.7 TD (LKR)		Diesel	FWD	1686	81	110	11.13-12.15	■	
1.7 TD (LUD)		Diesel	FWD	1686	96	131	08.12-	■	
1.7 TD (LUD)		Diesel	FWD	1686	96	131	08.12-	■	
2.0 TD (LNP)		Diesel	FWD	1998	120	163	08.12-	■	
2.0 TD (LNP)		Diesel	FWD	1998	120	163	08.12-	■	
CRUZE II (J405) 01.17-					Hatchback (Supermini car-B Segment)				
1.4 Flex (LE2(85CUL4))		Gasol./Etanol	FWD	1399	113	153	01.17-12.23	■	
1.4 Flex (LE2(85CUL4))		Gasol./Etanol	FWD	1399	113	153	01.17-12.23	■	
CHEVROLET (SGM)									
CRUZE (CP1) 09.13-					Hatchback (Supermini car-B Segment)				
1.6 (LDE)		Gasolina	FWD	1598	89	121	09.13-02.17	■	
1.6 (LDE)		Gasolina	FWD	1598	89	121	09.13-02.17	■	
CRUZE (CP1) 04.09-07.16					Saloon (Supermini car-B Segment)				
1.6		Gasolina	FWD	1598	86	117	04.09-	■	
1.6		Gasolina	FWD	1598	86	117	04.09-	■	
1.6 (LDE)		Gasolina	FWD	1598	86	117	04.09-12.13	■	
1.6 (LDE)		Gasolina	FWD	1598	86	117	04.09-12.13	■	
1.8		Gasolina	FWD	1796	105	143	04.09-	■	
1.8		Gasolina	FWD	1796	105	143	04.09-	■	
1.8 (2H0)		Gasolina	FWD	1796	105	143	04.09-12.11	■	
1.8 (2H0)		Gasolina	FWD	1796	105	143	04.09-12.11	■	
CRUZE II (CP3) 08.14-07.16					Saloon (Supermini car-B Segment)				
1.5		Gasolina	FWD	1485	80	109	03.14-	■	
1.5		Gasolina	FWD	1485	80	109	03.14-	■	
HOLDEN									
ASTRA (PJ) 12.14-					Hatchback (Compact car-C Segment)				
1.6 GTC Sport		Gasolina	FWD	1598	125	170	12.14-	■	
1.6 GTC Sport		Gasolina	FWD	1598	125	170	12.14-	■	
1.6 GTC Sport		Gasolina	FWD	1598	147	200	12.14-	■	
1.6 GTC Sport		Gasolina	FWD	1598	147	200	12.14-	■	
ASTRA (BL) 06.17-					Saloon (Compact car-C Segment)				
1.4 (B 14 XFT)		Gasolina	FWD	1399	110	150	06.17-	■	
1.4 (B 14 XFT)		Gasolina	FWD	1399	110	150	06.17-	■	

LISTA DE APLICACIONES - BUYERS GUIDE

BARINA (TM) 11.11-					Hatchback (Supermini car-B Segment)			
1.4 Turbo		Gasolina	FWD	1364	103	140	07.13-	■
1.4 Turbo		Gasolina	FWD	1364	103	140	07.13-	■
1.6 i		Gasolina	FWD	1598	85	116	11.11-	■
1.6 i		Gasolina	FWD	1598	85	116	11.11-	■
BARINA (TM) 12.12-					Saloon (Supermini car-B Segment)			
1.6 i		Gasolina	FWD	1598	85	116	12.12-	■
1.6 i		Gasolina	FWD	1598	85	116	12.12-	■
CRUZE II (JH) 06.12-					Estate (Supermini car-B Segment)			
1.8 i		Gasolina	FWD	1796	104	141	06.12-	■
1.8 i		Gasolina	FWD	1796	104	141	06.12-	■
2.0 DTFi		Diesel	RWD	1991	120	163	06.12-	■
2.0 DTFi		Diesel	RWD	1991	120	163	06.12-	■
CRUZE II (JH) 11.11-					Hatchback (Supermini car-B Segment)			
1.4 i Turbo		Gasolina	FWD	1364	103	140	11.11-	■
1.4 i Turbo		Gasolina	FWD	1364	103	140	11.11-	■
1.6 i		Gasolina	FWD	1598	132	180	04.13-	■
1.6 i		Gasolina	FWD	1598	132	180	04.13-	■
1.8 i		Gasolina	FWD	1796	104	141	11.11-	■
1.8 i		Gasolina	FWD	1796	104	141	11.11-	■
2.0 DTFi		Diesel	RWD	1991	120	163	11.11-	■
2.0 DTFi		Diesel	RWD	1991	120	163	11.11-	■
CRUZE II (JG) 06.09-03.11					Saloon (Supermini car-B Segment)			
1.4 i Turbo		Gasolina	FWD	1364	103	140	03.11-	■
1.4 i Turbo		Gasolina	FWD	1364	103	140	03.11-	■
1.6 i		Gasolina	FWD	1598	132	180	04.13-	■
1.6 i		Gasolina	FWD	1598	132	180	04.13-	■
1.8 i		Gasolina	FWD	1796	104	141	06.09-03.11	■
1.8 i		Gasolina	FWD	1796	104	141	06.09-03.11	■
1.8 i (F18D)		Gasolina	FWD	1796	104	141	04.11-12.16	■
1.8 i (F18D)		Gasolina	FWD	1796	104	141	04.11-12.16	■
2.0 DTFi		Diesel	RWD	1991	110	150	06.09-03.11	■
2.0 DTFi		Diesel	RWD	1991	110	150	06.09-03.11	■
2.0		Diesel	FWD	1991	120	163	03.11-07.12	■
2.0		Diesel	FWD	1991	120	163	03.11-07.12	■
2.0 DTFi		Diesel	RWD	1991	120	163	03.11-	■
2.0 DTFi		Diesel	RWD	1991	120	163	03.11-	■
NISSAN								
ROGUE 01.07-12.15					SUV (Compact SUV-J Segment)			
2.5		Gasolina	FWD	2488	124	169	01.10-11.13	■
2.5		Gasolina	FWD	2488	124	169	01.10-11.13	■
2.5 AWD		Gasolina	4WD	2488	124	169	01.10-11.13	■
2.5 AWD		Gasolina	4WD	2488	124	169	01.10-11.13	■
2.5		Gasolina	FWD	2488	125	170	01.10-11.13	■
2.5		Gasolina	FWD	2488	125	170	01.10-11.13	■
2.5 AWD (QR25DE)		Gasolina	4WD	2488	125	170	01.10-11.13	■
2.5 AWD (QR25DE)		Gasolina	4WD	2488	125	170	01.10-11.13	■
OPEL								

LISTA DE APLICACIONES - BUYERS GUIDE

ASTRA H CLASSIC (A04) 01.09-					Hatchback (Compact car-C Segment)			
1.8 (L48) (Z 18 XER)		Gasolina	FWD	1796	103	140	02.13-05.14	■
1.8 (L48) (Z 18 XER)		Gasolina	FWD	1796	103	140	02.13-05.14	■
1.7 CDTI (L48) (A 17 DTR)		Diesel	FWD	1686	92	125	01.09-05.14	■
1.7 CDTI (L48) (A 17 DTR)		Diesel	FWD	1686	92	125	01.09-05.14	■
1.7 CDTI (L48) (Z 17 DTR)		Diesel	FWD	1686	92	125	01.09-05.14	■
1.7 CDTI (L48) (Z 17 DTR)		Diesel	FWD	1686	92	125	01.09-05.14	■
ASTRA J (P10) 09.09-10.15					Estate Van (Compact car-C Segment)			
1.3 CDTI (35) (A 13 DTE)		Diesel	FWD	1248	70	95	10.12-10.15	■
1.3 CDTI (35) (A 13 DTE)		Diesel	FWD	1248	70	95	10.12-10.15	■
1.6 CDTi (35) (B 16 DTL)		Diesel	FWD	1598	81	110	01.14-10.15	■
1.6 CDTi (35) (B 16 DTL)		Diesel	FWD	1598	81	110	01.14-10.15	■
1.7 CDTI (35) (A 17 DTF)		Diesel	FWD	1686	96	131	10.12-10.15	■
1.7 CDTI (35) (A 17 DTF)		Diesel	FWD	1686	96	131	10.12-10.15	■
1.7 CDTI (35) (A 17 DTS)		Diesel	FWD	1686	96	131	10.12-10.15	■
1.7 CDTI (35) (A 17 DTS)		Diesel	FWD	1686	96	131	10.12-10.15	■
2.0 CDTI (35) (A 20 DTH)		Diesel	FWD	1956	121	165	10.12-10.15	■
2.0 CDTI (35) (A 20 DTH)		Diesel	FWD	1956	121	165	10.12-10.15	■
ASTRA J (P10) 09.09-10.15					Hatchback Van (Compact car-C Segment)			
1.3 CDTI (68) (A 13 DTE)		Diesel	FWD	1248	70	95	05.13-10.15	■
1.3 CDTI (68) (A 13 DTE)		Diesel	FWD	1248	70	95	05.13-10.15	■
1.6 CDTi (68) (B 16 DTL)		Diesel	FWD	1598	81	110	01.14-10.15	■
1.6 CDTi (68) (B 16 DTL)		Diesel	FWD	1598	81	110	01.14-10.15	■
1.7 CDTI (68) (A 17 DTC)		Diesel	FWD	1686	81	110	05.13-10.15	■
1.7 CDTI (68) (A 17 DTC)		Diesel	FWD	1686	81	110	05.13-10.15	■
1.7 CDTI (68) (A 17 DTE)		Diesel	FWD	1686	81	110	05.13-10.15	■
1.7 CDTI (68) (A 17 DTE)		Diesel	FWD	1686	81	110	05.13-10.15	■
ASTRA J (P10) 09.09-04.16					Hatchback (Compact car-C Segment)			
1.4 Turbo (68) (A 14 NEL)		Gasolina	FWD	1364	88	120	10.10-10.15	■
1.4 Turbo (68) (A 14 NEL)		Gasolina	FWD	1364	88	120	10.10-10.15	■
1.4 Turbo (68) (B 14 NEL)		Gasolina	FWD	1364	88	120	10.10-10.15	■
1.4 Turbo (68) (B 14 NEL)		Gasolina	FWD	1364	88	120	10.10-10.15	■
1.4 Turbo (68) (A 14 NET)		Gasolina	FWD	1364	103	140	12.09-10.15	■
1.4 Turbo (68) (A 14 NET)		Gasolina	FWD	1364	103	140	12.09-10.15	■
1.4 Turbo (68) (B 14 NET)		Gasolina	FWD	1364	103	140	12.09-10.15	■
1.4 Turbo (68) (B 14 NET)		Gasolina	FWD	1364	103	140	12.09-10.15	■
1.4 (68) (A 14 XEL)		Gasolina	FWD	1398	64	87	12.09-10.15	■
1.4 (68) (A 14 XEL)		Gasolina	FWD	1398	64	87	12.09-10.15	■
1.4 (68) (A 14 XER)		Gasolina	FWD	1398	74	100	12.09-10.15	■
1.4 (68) (A 14 XER)		Gasolina	FWD	1398	74	100	12.09-10.15	■
1.4 (68) (B 14 XER)		Gasolina	FWD	1398	74	100	12.09-10.15	■
1.4 (68) (B 14 XER)		Gasolina	FWD	1398	74	100	12.09-10.15	■
1.6 (68) (A 16 XER)		Gasolina	FWD	1598	85	115	12.09-10.15	■
1.6 (68) (A 16 XER)		Gasolina	FWD	1598	85	115	12.09-10.15	■
1.6 (68) (B 16 XER)		Gasolina	FWD	1598	85	115	12.09-10.15	■
1.6 (68) (B 16 XER)		Gasolina	FWD	1598	85	115	12.09-10.15	■
1.6 SIDI (68) (A 16 XHT)		Gasolina	FWD	1598	125	170	12.12-10.15	■
1.6 SIDI (68) (A 16 XHT)		Gasolina	FWD	1598	125	170	12.12-10.15	■
1.6 SIDI (68) (B 16 SHL)		Gasolina	FWD	1598	125	170	12.12-10.15	■

LISTA DE APLICACIONES - BUYERS GUIDE

1.6 SIDI (68) (B 16 SHL)		Gasolina	FWD	1598	125	170	12.12-10.15	■
1.6 Turbo (68) (A 16 LET)		Gasolina	FWD	1598	132	180	12.09-10.15	■
1.6 Turbo (68) (A 16 LET)		Gasolina	FWD	1598	132	180	12.09-10.15	■
1.6 Turbo 4x4 (68) (A 16 LET)		Gasolina	4WD	1598	132	180	12.09-10.15	■
1.6 Turbo 4x4 (68) (A 16 LET)		Gasolina	4WD	1598	132	180	12.09-10.15	■
1.4 LPG (68) (A 14 NET)		Gasol./Gas (LPG)	FWD	1364	103	140	01.12-10.15	■
1.4 LPG (68) (A 14 NET)		Gasol./Gas (LPG)	FWD	1364	103	140	01.12-10.15	■
1.3 CDTI (68) (A 13 DTE)		Diesel	FWD	1248	70	95	12.09-10.15	■
1.3 CDTI (68) (A 13 DTE)		Diesel	FWD	1248	70	95	12.09-10.15	■
1.6 CDTi (68) (B 16 DTL)		Diesel	FWD	1598	81	110	02.14-10.15	■
1.6 CDTi (68) (B 16 DTL)		Diesel	FWD	1598	81	110	02.14-10.15	■
1.6 CDTi (68) (B 16 DTH)		Diesel	FWD	1598	100	136	11.13-10.15	■
1.6 CDTi (68) (B 16 DTH)		Diesel	FWD	1598	100	136	11.13-10.15	■
1.7 CDTI (68)		Diesel	FWD	1686	74	101	10.10-10.15	■
1.7 CDTI (68)		Diesel	FWD	1686	74	101	10.10-10.15	■
1.7 CDTI (68) (A 17 DTC)		Diesel	FWD	1686	81	110	09.09-10.15	■
1.7 CDTI (68) (A 17 DTC)		Diesel	FWD	1686	81	110	09.09-10.15	■
1.7 CDTI (68) (A 17 DTE)		Diesel	FWD	1686	81	110	09.09-10.15	■
1.7 CDTI (68) (A 17 DTE)		Diesel	FWD	1686	81	110	09.09-10.15	■
1.7 CDTI (68) (A 17 DTJ)		Diesel	FWD	1686	81	110	09.09-10.15	■
1.7 CDTI (68) (A 17 DTJ)		Diesel	FWD	1686	81	110	09.09-10.15	■
1.7 CDTI (68) (A 17 DTR)		Diesel	FWD	1686	92	125	12.09-10.15	■
1.7 CDTI (68) (A 17 DTR)		Diesel	FWD	1686	92	125	12.09-10.15	■
1.7 CDTI (68) (A 17 DTF)		Diesel	FWD	1686	96	131	07.11-10.15	■
1.7 CDTI (68) (A 17 DTF)		Diesel	FWD	1686	96	131	07.11-10.15	■
1.7 CDTI (68) (A 17 DTS)		Diesel	FWD	1686	96	131	07.11-10.15	■
1.7 CDTI (68) (A 17 DTS)		Diesel	FWD	1686	96	131	07.11-10.15	■
2.0 CDTi (A 20 DTH)		Diesel	FWD	1956	96	131	10.14-10.15	■
2.0 CDTi (A 20 DTH)		Diesel	FWD	1956	96	131	10.14-10.15	■
2.0 CDTI (68) (A 20 DTH)		Diesel	FWD	1956	118	160	09.09-10.15	■
2.0 CDTI (68) (A 20 DTH)		Diesel	FWD	1956	118	160	09.09-10.15	■
2.0 CDTI (68) (A 20 DTH)		Diesel	FWD	1956	121	165	06.11-10.15	■
2.0 CDTI (68) (A 20 DTH)		Diesel	FWD	1956	121	165	06.11-10.15	■
2.0 Biturbo CDTI (68) (A 20 DTR)		Diesel	FWD	1956	143	194	09.12-10.15	■
2.0 Biturbo CDTI (68) (A 20 DTR)		Diesel	FWD	1956	143	194	09.12-10.15	■
ASTRA J 06.12-				Saloon (Compact car-C Segment)				
1.4 Turbo (69) (A 14 NEL)		Gasolina	FWD	1364	88	120	06.12-10.15	■
1.4 Turbo (69) (A 14 NEL)		Gasolina	FWD	1364	88	120	06.12-10.15	■
1.4 Turbo (69) (B 14 NEL)		Gasolina	FWD	1364	88	120	06.12-10.15	■
1.4 Turbo (69) (B 14 NEL)		Gasolina	FWD	1364	88	120	06.12-10.15	■
1.4 Turbo (69) (A 14 NET)		Gasolina	FWD	1364	103	140	06.12-06.18	■
1.4 Turbo (69) (A 14 NET)		Gasolina	FWD	1364	103	140	06.12-06.18	■
1.4 Turbo (69) (B 14 NET)		Gasolina	FWD	1364	103	140	06.12-06.18	■
1.4 Turbo (69) (B 14 NET)		Gasolina	FWD	1364	103	140	06.12-06.18	■
1.4 (A 14 XEL)		Gasolina	FWD	1398	64	87	01.14-10.15	■
1.4 (A 14 XEL)		Gasolina	FWD	1398	64	87	01.14-10.15	■
1.4 (69) (A 14 XER)		Gasolina	FWD	1398	74	101	06.12-10.15	■
1.4 (69) (A 14 XER)		Gasolina	FWD	1398	74	101	06.12-10.15	■
1.4 (69) (B 14 XER)		Gasolina	FWD	1398	74	101	06.12-10.15	■
1.4 (69) (B 14 XER)		Gasolina	FWD	1398	74	101	06.12-10.15	■

LISTA DE APLICACIONES - BUYERS GUIDE

1.6 (69) (A 16 XER)		Gasolina	FWD	1598	85	116	06.12-06.18	■
1.6 (69) (A 16 XER)		Gasolina	FWD	1598	85	116	06.12-06.18	■
1.6 (69) (B 16 XER)		Gasolina	FWD	1598	85	116	06.12-06.18	■
1.6 (69) (B 16 XER)		Gasolina	FWD	1598	85	116	06.12-06.18	■
1.6 SIDI (69) (A 16 XHT)		Gasolina	FWD	1598	125	170	06.12-10.15	■
1.6 SIDI (69) (A 16 XHT)		Gasolina	FWD	1598	125	170	06.12-10.15	■
1.6 Turbo (69) (A 16 LET)		Gasolina	FWD	1598	132	180	06.12-10.13	■
1.6 Turbo (69) (A 16 LET)		Gasolina	FWD	1598	132	180	06.12-10.13	■
1.4 Turbo LPG (69) (A 14 NET)		Gasol./Gas (LPG)	FWD	1364	103	140	07.14-06.18	■
1.4 Turbo LPG (69) (A 14 NET)		Gasol./Gas (LPG)	FWD	1364	103	140	07.14-06.18	■
1.3 CDTI (69) (A 13 DTE)		Diesel	FWD	1248	70	95	06.12-10.15	■
1.3 CDTI (69) (A 13 DTE)		Diesel	FWD	1248	70	95	06.12-10.15	■
1.6 CDTi (69) (B 16 DTL)		Diesel	FWD	1598	81	110	04.14-06.18	■
1.6 CDTi (69) (B 16 DTL)		Diesel	FWD	1598	81	110	04.14-06.18	■
1.6 CDTi (69) (B 16 DTH)		Diesel	FWD	1598	100	136	01.14-06.18	■
1.6 CDTi (69) (B 16 DTH)		Diesel	FWD	1598	100	136	01.14-06.18	■
1.7 CDTI (69) (A 17 DTC)		Diesel	FWD	1686	81	110	06.12-10.15	■
1.7 CDTI (69) (A 17 DTC)		Diesel	FWD	1686	81	110	06.12-10.15	■
1.7 CDTI (69) (A 17 DTE)		Diesel	FWD	1686	81	110	06.12-10.15	■
1.7 CDTI (69) (A 17 DTE)		Diesel	FWD	1686	81	110	06.12-10.15	■
1.7 CDTI (69) (A 17 DTJ)		Diesel	FWD	1686	81	110	06.12-10.15	■
1.7 CDTI (69) (A 17 DTJ)		Diesel	FWD	1686	81	110	06.12-10.15	■
1.7 CDTI (69) (A 17 DTF)		Diesel	FWD	1686	96	131	06.12-10.15	■
1.7 CDTI (69) (A 17 DTF)		Diesel	FWD	1686	96	131	06.12-10.15	■
1.7 CDTI (69) (A 17 DTS)		Diesel	FWD	1686	96	131	06.12-10.15	■
1.7 CDTI (69) (A 17 DTS)		Diesel	FWD	1686	96	131	06.12-10.15	■
ASTRA J GTC 10.11-							Hatchback (Compact car-C Segment)	
1.4 (08) (A 14 NEL)		Gasolina	FWD	1364	88	120	10.11-04.18	■
1.4 (08) (A 14 NEL)		Gasolina	FWD	1364	88	120	10.11-04.18	■
1.4 (08) (B 14 NEL)		Gasolina	FWD	1364	88	120	10.11-04.18	■
1.4 (08) (B 14 NEL)		Gasolina	FWD	1364	88	120	10.11-04.18	■
1.4 Turbo (08) (A 14 NET)		Gasolina	FWD	1364	103	140	10.11-04.18	■
1.4 Turbo (08) (A 14 NET)		Gasolina	FWD	1364	103	140	10.11-04.18	■
1.4 Turbo (08) (B 14 NET)		Gasolina	FWD	1364	103	140	10.11-04.18	■
1.4 Turbo (08) (B 14 NET)		Gasolina	FWD	1364	103	140	10.11-04.18	■
1.4 (08) (A 14 XER)		Gasolina	FWD	1398	74	101	10.11-11.13	■
1.4 (08) (A 14 XER)		Gasolina	FWD	1398	74	101	10.11-11.13	■
1.6 SIDI (08) (A 16 XHT)		Gasolina	FWD	1598	125	170	12.12-04.18	■
1.6 SIDI (08) (A 16 XHT)		Gasolina	FWD	1598	125	170	12.12-04.18	■
1.6 SIDI (08) (B 16 SHL)		Gasolina	FWD	1598	125	170	12.12-04.18	■
1.6 SIDI (08) (B 16 SHL)		Gasolina	FWD	1598	125	170	12.12-04.18	■
1.6 Turbo (08) (A 16 LET)		Gasolina	FWD	1598	132	180	10.11-06.13	■
1.6 Turbo (08) (A 16 LET)		Gasolina	FWD	1598	132	180	10.11-06.13	■
1.6 SIDI (08) (A 16 SHT)		Gasolina	FWD	1598	147	200	07.13-04.18	■
1.6 SIDI (08) (A 16 SHT)		Gasolina	FWD	1598	147	200	07.13-04.18	■
1.6 SIDI (08) (B 16 SHT)		Gasolina	FWD	1598	147	200	07.13-04.18	■
1.6 SIDI (08) (B 16 SHT)		Gasolina	FWD	1598	147	200	07.13-04.18	■
1.8 (08) (A 18 XER)		Gasolina	FWD	1796	103	140	10.11-10.13	■
1.8 (08) (A 18 XER)		Gasolina	FWD	1796	103	140	10.11-10.13	■
1.6 CDTI (08) (B 16 DTL)		Diesel	FWD	1598	81	110	07.14-04.18	■

LISTA DE APLICACIONES - BUYERS GUIDE

1.6 CDTI (08) (B 16 DTL)		Diesel	FWD	1598	81	110	07.14-04.18	■
1.6 CDTI (08) (B 16 DTH)		Diesel	FWD	1598	100	136	07.14-04.18	■
1.6 CDTI (08) (B 16 DTH)		Diesel	FWD	1598	100	136	07.14-04.18	■
1.7 CDTI (08) (A 17 DTC)		Diesel	FWD	1686	81	110	03.12-10.13	■
1.7 CDTI (08) (A 17 DTC)		Diesel	FWD	1686	81	110	03.12-10.13	■
1.7 CDTI (08) (A 17 DTE)		Diesel	FWD	1686	81	110	03.12-10.13	■
1.7 CDTI (08) (A 17 DTE)		Diesel	FWD	1686	81	110	03.12-10.13	■
1.7 CDTI (08) (A 17 DTJ)		Diesel	FWD	1686	81	110	03.12-10.13	■
1.7 CDTI (08) (A 17 DTJ)		Diesel	FWD	1686	81	110	03.12-10.13	■
1.7 CDTI (08) (A 17 DTF)		Diesel	FWD	1686	96	131	03.12-06.14	■
1.7 CDTI (08) (A 17 DTF)		Diesel	FWD	1686	96	131	03.12-06.14	■
1.7 CDTI (08) (A 17 DTS)		Diesel	FWD	1686	96	131	03.12-06.14	■
1.7 CDTI (08) (A 17 DTS)		Diesel	FWD	1686	96	131	03.12-06.14	■
2.0 CDTI (08) (A 20 DTH)		Diesel	FWD	1956	96	131	01.12-10.15	■
2.0 CDTI (08) (A 20 DTH)		Diesel	FWD	1956	96	131	01.12-10.15	■
2.0 CDTI (08) (A 20 DTH)		Diesel	FWD	1956	121	165	01.12-06.15	■
2.0 CDTI (08) (A 20 DTH)		Diesel	FWD	1956	121	165	01.12-06.15	■
2.0 BiTurbo CDTI (08) (A 20 DTR)		Diesel	FWD	1956	143	194	10.13-06.15	■
2.0 BiTurbo CDTI (08) (A 20 DTR)		Diesel	FWD	1956	143	194	10.13-06.15	■
ASTRA J Sports Tourer (P10) 10.10-							Estate (Compact car-C Segment)	
1.4 Turbo (35) (A 14 NEL)		Gasolina	FWD	1364	88	120	10.10-10.15	■
1.4 Turbo (35) (A 14 NEL)		Gasolina	FWD	1364	88	120	10.10-10.15	■
1.4 Turbo (35) (B 14 NEL)		Gasolina	FWD	1364	88	120	10.10-10.15	■
1.4 Turbo (35) (B 14 NEL)		Gasolina	FWD	1364	88	120	10.10-10.15	■
1.4 Turbo (35) (A 14 NET)		Gasolina	FWD	1364	103	140	10.10-10.15	■
1.4 Turbo (35) (A 14 NET)		Gasolina	FWD	1364	103	140	10.10-10.15	■
1.4 Turbo (35) (B 14 NET)		Gasolina	FWD	1364	103	140	10.10-10.15	■
1.4 Turbo (35) (B 14 NET)		Gasolina	FWD	1364	103	140	10.10-10.15	■
1.4 (35) (A 14 XEL)		Gasolina	FWD	1398	64	87	10.10-10.15	■
1.4 (35) (A 14 XEL)		Gasolina	FWD	1398	64	87	10.10-10.15	■
1.4 (35) (A 14 XER)		Gasolina	FWD	1398	74	101	10.10-10.15	■
1.4 (35) (A 14 XER)		Gasolina	FWD	1398	74	101	10.10-10.15	■
1.4 (35) (B 14 XER)		Gasolina	FWD	1398	74	101	10.10-10.15	■
1.4 (35) (B 14 XER)		Gasolina	FWD	1398	74	101	10.10-10.15	■
1.6 (35) (A 16 XER)		Gasolina	FWD	1598	85	116	10.10-10.15	■
1.6 (35) (A 16 XER)		Gasolina	FWD	1598	85	116	10.10-10.15	■
1.6 (35) (B 16 XER)		Gasolina	FWD	1598	85	116	10.10-10.15	■
1.6 (35) (B 16 XER)		Gasolina	FWD	1598	85	116	10.10-10.15	■
1.6 SIDI (35) (A 16 XHT)		Gasolina	FWD	1598	125	170	12.12-10.15	■
1.6 SIDI (35) (A 16 XHT)		Gasolina	FWD	1598	125	170	12.12-10.15	■
1.6 SIDI (35) (B 16 SHL)		Gasolina	FWD	1598	125	170	12.12-10.15	■
1.6 SIDI (35) (B 16 SHL)		Gasolina	FWD	1598	125	170	12.12-10.15	■
1.6 Turbo (35) (A 16 LET)		Gasolina	FWD	1598	132	180	10.10-10.15	■
1.6 Turbo (35) (A 16 LET)		Gasolina	FWD	1598	132	180	10.10-10.15	■
1.4 LPG (35) (A 14 NET)		Gasol./Gas (LPG)	FWD	1364	103	140	12.11-10.15	■
1.4 LPG (35) (A 14 NET)		Gasol./Gas (LPG)	FWD	1364	103	140	12.11-10.15	■
1.3 CDTI (35) (A 13 DTE)		Diesel	FWD	1248	70	95	10.10-10.14	■
1.3 CDTI (35) (A 13 DTE)		Diesel	FWD	1248	70	95	10.10-10.14	■
1.6 CDTi (35) (B 16 DTL)		Diesel	FWD	1598	81	110	02.14-10.15	■
1.6 CDTi (35) (B 16 DTL)		Diesel	FWD	1598	81	110	02.14-10.15	■

LISTA DE APLICACIONES - BUYERS GUIDE

1.6 CDTi (35) (B 16 DTH)		Diesel	FWD	1598	100	136	11.13-10.15	■
1.6 CDTi (35) (B 16 DTH)		Diesel	FWD	1598	100	136	11.13-10.15	■
1.7 CDTi (35) (A 17 DTL)		Diesel	FWD	1686	74	101	10.10-10.15	■
1.7 CDTi (35) (A 17 DTL)		Diesel	FWD	1686	74	101	10.10-10.15	■
1.7 CDTi (35) (A 17 DTN)		Diesel	FWD	1686	74	101	10.10-10.15	■
1.7 CDTi (35) (A 17 DTN)		Diesel	FWD	1686	74	101	10.10-10.15	■
1.7 CDTi (35) (A 17 DTC)		Diesel	FWD	1686	81	110	10.10-10.15	■
1.7 CDTi (35) (A 17 DTC)		Diesel	FWD	1686	81	110	10.10-10.15	■
1.7 CDTi (35) (A 17 DTE)		Diesel	FWD	1686	81	110	10.10-10.15	■
1.7 CDTi (35) (A 17 DTE)		Diesel	FWD	1686	81	110	10.10-10.15	■
1.7 CDTi (35) (A 17 DTJ)		Diesel	FWD	1686	81	110	10.10-10.15	■
1.7 CDTi (35) (A 17 DTJ)		Diesel	FWD	1686	81	110	10.10-10.15	■
1.7 CDTi (35) (A 17 DTR)		Diesel	FWD	1686	92	125	10.10-10.15	■
1.7 CDTi (35) (A 17 DTR)		Diesel	FWD	1686	92	125	10.10-10.15	■
1.7 CDTi (35) (A 17 DTF)		Diesel	FWD	1686	96	131	10.10-10.15	■
1.7 CDTi (35) (A 17 DTF)		Diesel	FWD	1686	96	131	10.10-10.15	■
1.7 CDTi (35) (A 17 DTS)		Diesel	FWD	1686	96	131	10.10-10.15	■
1.7 CDTi (35) (A 17 DTS)		Diesel	FWD	1686	96	131	10.10-10.15	■
2.0 CDTi (35)		Diesel	FWD	1956	96	131	01.14-10.15	■
2.0 CDTi (35)		Diesel	FWD	1956	96	131	01.14-10.15	■
2.0 CDTi (35) (A 20 DTH)		Diesel	FWD	1956	118	160	10.10-10.15	■
2.0 CDTi (35) (A 20 DTH)		Diesel	FWD	1956	118	160	10.10-10.15	■
2.0 CDTi (35) (A 20 DTH)		Diesel	FWD	1956	121	165	08.11-10.15	■
2.0 CDTi (35) (A 20 DTH)		Diesel	FWD	1956	121	165	08.11-10.15	■
2.0 Biturbo CDTi (35) (A 20 DTR)		Diesel	FWD	1956	143	194	09.12-10.15	■
2.0 Biturbo CDTi (35) (A 20 DTR)		Diesel	FWD	1956	143	194	09.12-10.15	■

VAUXHALL

ASTRA Mk VI (J) (P10) 10.10-				Estate (Compact car-C Segment)				
1.4 Turbo (A 14 NET)		Gasolina	FWD	1364	103	140	10.10-10.15	■
1.4 Turbo (A 14 NET)		Gasolina	FWD	1364	103	140	10.10-10.15	■
1.4 (A 14 XEL)		Gasolina	FWD	1398	64	87	10.10-10.15	■
1.4 (A 14 XEL)		Gasolina	FWD	1398	64	87	10.10-10.15	■
1.4 (A 14 XER)		Gasolina	FWD	1398	74	101	10.10-10.15	■
1.4 (A 14 XER)		Gasolina	FWD	1398	74	101	10.10-10.15	■
1.4 (B 14 XER)		Gasolina	FWD	1398	74	101	10.10-10.15	■
1.4 (B 14 XER)		Gasolina	FWD	1398	74	101	10.10-10.15	■
1.6 (A 16 XER)		Gasolina	FWD	1598	85	116	10.10-10.15	■
1.6 (A 16 XER)		Gasolina	FWD	1598	85	116	10.10-10.15	■
1.6 (B 16 XER)		Gasolina	FWD	1598	85	116	10.10-10.15	■
1.6 (B 16 XER)		Gasolina	FWD	1598	85	116	10.10-10.15	■
1.6 Turbo (A 16 LET)		Gasolina	FWD	1598	132	180	10.10-10.15	■
1.6 Turbo (A 16 LET)		Gasolina	FWD	1598	132	180	10.10-10.15	■
1.3 CDTi (A 13 DTE)		Diesel	FWD	1248	70	95	10.10-10.15	■
1.3 CDTi (A 13 DTE)		Diesel	FWD	1248	70	95	10.10-10.15	■
1.6 CDTi (B 16 DTL)		Diesel	FWD	1598	81	110	01.14-10.15	■
1.6 CDTi (B 16 DTL)		Diesel	FWD	1598	81	110	01.14-10.15	■
1.6 CDTi (B 16 DTH)		Diesel	FWD	1598	100	136	01.14-10.15	■
1.6 CDTi (B 16 DTH)		Diesel	FWD	1598	100	136	01.14-10.15	■
1.7 CDTi		Diesel	RWD	1686	74	101	10.10-	■
1.7 CDTi		Diesel	RWD	1686	74	101	10.10-	■
1.7 CDTi (A 17 DTC)		Diesel	FWD	1686	81	110	10.10-10.15	■

LISTA DE APLICACIONES - BUYERS GUIDE

1.7 CDTi (A 17 DTC)		Diesel	FWD	1686	81	110	10.10-10.15	■
1.7 CDTi (A 17 DTE)		Diesel	FWD	1686	81	110	10.10-10.15	■
1.7 CDTi (A 17 DTE)		Diesel	FWD	1686	81	110	10.10-10.15	■
1.7 CDTi (A 17 DTJ)		Diesel	FWD	1686	81	110	10.10-10.15	■
1.7 CDTi (A 17 DTJ)		Diesel	FWD	1686	81	110	10.10-10.15	■
1.7 CDTi (A 17 DTR)		Diesel	FWD	1686	92	125	10.10-10.15	■
1.7 CDTi (A 17 DTR)		Diesel	FWD	1686	92	125	10.10-10.15	■
1.7 CDTi (A 17 DTF)		Diesel	FWD	1686	96	131	06.11-10.15	■
1.7 CDTi (A 17 DTF)		Diesel	FWD	1686	96	131	06.11-10.15	■
1.7 CDTi (A 17 DTS)		Diesel	FWD	1686	96	131	06.11-10.15	■
1.7 CDTi (A 17 DTS)		Diesel	FWD	1686	96	131	06.11-10.15	■
2.0 CDTi (A 20 DTH)		Diesel	FWD	1956	118	160	10.10-06.11	■
2.0 CDTi (A 20 DTH)		Diesel	FWD	1956	118	160	10.10-06.11	■
2.0 CDTi (A 20 DTH)		Diesel	FWD	1956	121	165	08.11-10.15	■
2.0 CDTi (A 20 DTH)		Diesel	FWD	1956	121	165	08.11-10.15	■
2.0 BiTurbo CDTi (A 20 DTR)		Diesel	FWD	1956	143	194	12.12-10.15	■
2.0 BiTurbo CDTi (A 20 DTR)		Diesel	FWD	1956	143	194	12.12-10.15	■
ASTRA Mk VI (J) (P10) 12.09-							Hatchback (Compact car-C Segment)	
1.4 Turbo (A 14 NEL)		Gasolina	FWD	1364	88	120	08.10-10.15	■
1.4 Turbo (A 14 NEL)		Gasolina	FWD	1364	88	120	08.10-10.15	■
1.4 Turbo (A 14 NET)		Gasolina	FWD	1364	103	140	12.09-10.15	■
1.4 Turbo (A 14 NET)		Gasolina	FWD	1364	103	140	12.09-10.15	■
1.4 Turbo (B 14 NET)		Gasolina	FWD	1364	103	140	12.09-10.15	■
1.4 Turbo (B 14 NET)		Gasolina	FWD	1364	103	140	12.09-10.15	■
1.4 Turbo (D 14 NET)		Gasolina	FWD	1364	103	140	12.09-10.15	■
1.4 Turbo (D 14 NET)		Gasolina	FWD	1364	103	140	12.09-10.15	■
1.4 (A 14 XEL)		Gasolina	FWD	1398	64	87	12.09-10.15	■
1.4 (A 14 XEL)		Gasolina	FWD	1398	64	87	12.09-10.15	■
1.4 (A 14 XER)		Gasolina	FWD	1398	74	100	12.09-10.15	■
1.4 (A 14 XER)		Gasolina	FWD	1398	74	100	12.09-10.15	■
1.4 (B 14 XER)		Gasolina	FWD	1398	74	100	12.09-10.15	■
1.4 (B 14 XER)		Gasolina	FWD	1398	74	100	12.09-10.15	■
1.6 (A 16 XER)		Gasolina	FWD	1598	85	115	12.09-10.15	■
1.6 (A 16 XER)		Gasolina	FWD	1598	85	115	12.09-10.15	■
1.6 (B 16 XER)		Gasolina	FWD	1598	85	115	12.09-10.15	■
1.6 (B 16 XER)		Gasolina	FWD	1598	85	115	12.09-10.15	■
1.6 Turbo (A 16 LET)		Gasolina	FWD	1598	132	180	12.09-10.15	■
1.6 Turbo (A 16 LET)		Gasolina	FWD	1598	132	180	12.09-10.15	■
1.3 CDTi (A 13 DTE)		Diesel	FWD	1248	70	95	12.09-10.15	■
1.3 CDTi (A 13 DTE)		Diesel	FWD	1248	70	95	12.09-10.15	■
1.6 CDTi (B 16 DTL)		Diesel	FWD	1598	81	110	11.13-10.15	■
1.6 CDTi (B 16 DTL)		Diesel	FWD	1598	81	110	11.13-10.15	■
1.6 CDTi (B 16 DTH)		Diesel	FWD	1598	100	136	11.13-10.15	■
1.6 CDTi (B 16 DTH)		Diesel	FWD	1598	100	136	11.13-10.15	■
1.7 CDTi		Diesel	RWD	1686	74	101	12.09-	■
1.7 CDTi		Diesel	RWD	1686	74	101	12.09-	■
1.7 CDTi (A 17 DTL)		Diesel	FWD	1686	74	101	10.10-10.15	■
1.7 CDTi (A 17 DTL)		Diesel	FWD	1686	74	101	10.10-10.15	■
1.7 CDTi (A 17 DTC)		Diesel	FWD	1686	81	110	12.09-10.15	■
1.7 CDTi (A 17 DTC)		Diesel	FWD	1686	81	110	12.09-10.15	■
1.7 CDTi (A 17 DTE)		Diesel	FWD	1686	81	110	12.09-10.15	■

LISTA DE APLICACIONES - BUYERS GUIDE

1.7 CDTi (A 17 DTE)		Diesel	FWD	1686	81	110	12.09-10.15	■
1.7 CDTi (A 17 DTJ)		Diesel	FWD	1686	81	110	12.09-10.15	■
1.7 CDTi (A 17 DTJ)		Diesel	FWD	1686	81	110	12.09-10.15	■
1.7 CDTi (A 17 DTR)		Diesel	FWD	1686	92	125	12.09-10.15	■
1.7 CDTi (A 17 DTR)		Diesel	FWD	1686	92	125	12.09-10.15	■
1.7 CDTi (A 17 DTF)		Diesel	FWD	1686	96	131	06.11-10.15	■
1.7 CDTi (A 17 DTF)		Diesel	FWD	1686	96	131	06.11-10.15	■
1.7 CDTi (A 17 DTS)		Diesel	FWD	1686	96	131	06.11-10.15	■
1.7 CDTi (A 17 DTS)		Diesel	FWD	1686	96	131	06.11-10.15	■
2.0 CDTi (A 20 DTH)		Diesel	FWD	1956	118	160	12.09-06.11	■
2.0 CDTi (A 20 DTH)		Diesel	FWD	1956	118	160	12.09-06.11	■
2.0 CDTi (A 20 DTH)		Diesel	FWD	1956	121	165	08.11-10.15	■
2.0 CDTi (A 20 DTH)		Diesel	FWD	1956	121	165	08.11-10.15	■
2.0 BiTurbo CDTi (A 20 DTR)		Diesel	FWD	1956	143	194	12.12-10.15	■
2.0 BiTurbo CDTi (A 20 DTR)		Diesel	FWD	1956	143	194	12.12-10.15	■
ASTRA Mk VI (J) (P10) 06.12-							Saloon (Compact car-C Segment)	
1.4 Turbo (A 14 NET)		Gasolina	FWD	1364	103	140	06.12-10.15	■
1.4 Turbo (A 14 NET)		Gasolina	FWD	1364	103	140	06.12-10.15	■
1.4 (A 14 XER)		Gasolina	FWD	1398	74	101	06.12-10.15	■
1.4 (A 14 XER)		Gasolina	FWD	1398	74	101	06.12-10.15	■
1.6 (A 16 XER)		Gasolina	FWD	1598	85	116	06.12-10.15	■
1.6 (A 16 XER)		Gasolina	FWD	1598	85	116	06.12-10.15	■
1.6 Turbo (A 16 LET)		Gasolina	FWD	1598	132	180	06.12-10.15	■
1.6 Turbo (A 16 LET)		Gasolina	FWD	1598	132	180	06.12-10.15	■
1.3 CDTi (A 13 DTE)		Diesel	FWD	1248	70	95	06.12-10.15	■
1.3 CDTi (A 13 DTE)		Diesel	FWD	1248	70	95	06.12-10.15	■
1.7 CDTi (A 17 DTC)		Diesel	FWD	1686	81	110	06.12-10.15	■
1.7 CDTi (A 17 DTC)		Diesel	FWD	1686	81	110	06.12-10.15	■
1.7 CDTi (A 17 DTE)		Diesel	FWD	1686	81	110	06.12-10.15	■
1.7 CDTi (A 17 DTE)		Diesel	FWD	1686	81	110	06.12-10.15	■
1.7 CDTi (A 17 DTJ)		Diesel	FWD	1686	81	110	06.12-10.15	■
1.7 CDTi (A 17 DTJ)		Diesel	FWD	1686	81	110	06.12-10.15	■
1.7 CDTi (A 17 DTF)		Diesel	FWD	1686	96	131	06.12-10.15	■
1.7 CDTi (A 17 DTF)		Diesel	FWD	1686	96	131	06.12-10.15	■
1.7 CDTi (A 17 DTS)		Diesel	FWD	1686	96	131	06.12-10.15	■
1.7 CDTi (A 17 DTS)		Diesel	FWD	1686	96	131	06.12-10.15	■
ASTRA Mk VI (J) GTC (P10) 10.11-							Hatchback (Compact car-C Segment)	
1.4 (A 14 NEL)		Gasolina	FWD	1364	88	120	10.11-10.18	■
1.4 (A 14 NEL)		Gasolina	FWD	1364	88	120	10.11-10.18	■
1.4 (B 14 NEL)		Gasolina	FWD	1364	88	120	10.11-10.18	■
1.4 (B 14 NEL)		Gasolina	FWD	1364	88	120	10.11-10.18	■
1.4 (A 14 NET)		Gasolina	FWD	1364	103	140	10.11-04.18	■
1.4 (A 14 NET)		Gasolina	FWD	1364	103	140	10.11-04.18	■
1.4 (B 14 NET)		Gasolina	FWD	1364	103	140	10.11-04.18	■
1.4 (B 14 NET)		Gasolina	FWD	1364	103	140	10.11-04.18	■
1.4 (A 14 XER)		Gasolina	FWD	1398	74	101	10.11-10.18	■
1.4 (A 14 XER)		Gasolina	FWD	1398	74	101	10.11-10.18	■
1.6 (A 16 LET)		Gasolina	FWD	1598	132	180	10.11-10.18	■
1.6 (A 16 LET)		Gasolina	FWD	1598	132	180	10.11-10.18	■
1.6 SIDI (A 16 SHT)		Gasolina	FWD	1598	147	200	09.13-10.18	■

LISTA DE APLICACIONES - BUYERS GUIDE

1.6 SIDI (A 16 SHT)		Gasolina	FWD	1598	147	200	09.13-10.18	■
1.6 SIDI (B 16 SHT)		Gasolina	FWD	1598	147	200	09.13-10.18	■
1.6 SIDI (B 16 SHT)		Gasolina	FWD	1598	147	200	09.13-10.18	■
2.0 VXR (A 20 NFT)		Gasolina	FWD	1998	206	280	04.12-10.18	■
2.0 VXR (A 20 NFT)		Gasolina	FWD	1998	206	280	04.12-10.18	■
2.0 VXR (B 20 NFT)		Gasolina	FWD	1998	206	280	04.12-10.18	■
2.0 VXR (B 20 NFT)		Gasolina	FWD	1998	206	280	04.12-10.18	■
1.6 CDTi (B 16 DTL)		Diesel	FWD	1598	81	110	07.14-10.18	■
1.6 CDTi (B 16 DTL)		Diesel	FWD	1598	81	110	07.14-10.18	■
1.6 CDTi (B 16 DTH)		Diesel	FWD	1598	100	136	07.14-10.18	■
1.6 CDTi (B 16 DTH)		Diesel	FWD	1598	100	136	07.14-10.18	■
1.7 CDTi (A 17 DTC)		Diesel	FWD	1686	81	110	10.11-10.18	■
1.7 CDTi (A 17 DTC)		Diesel	FWD	1686	81	110	10.11-10.18	■
1.7 CDTi (A 17 DTE)		Diesel	FWD	1686	81	110	10.11-10.18	■
1.7 CDTi (A 17 DTE)		Diesel	FWD	1686	81	110	10.11-10.18	■
1.7 CDTi (A 17 DTJ)		Diesel	FWD	1686	81	110	10.11-10.18	■
1.7 CDTi (A 17 DTJ)		Diesel	FWD	1686	81	110	10.11-10.18	■
1.7 CDTi (A 17 DTF)		Diesel	FWD	1686	96	131	10.11-10.18	■
1.7 CDTi (A 17 DTF)		Diesel	FWD	1686	96	131	10.11-10.18	■
1.7 CDTi (A 17 DTS)		Diesel	FWD	1686	96	131	10.11-10.18	■
1.7 CDTi (A 17 DTS)		Diesel	FWD	1686	96	131	10.11-10.18	■
2.0 CDTi (A 20 DTH)		Diesel	FWD	1956	121	165	10.11-10.18	■
2.0 CDTi (A 20 DTH)		Diesel	FWD	1956	121	165	10.11-10.18	■
2.0 BiTurbo CDTi (A 20 DTR)		Diesel	FWD	1956	143	194	12.12-10.18	■
2.0 BiTurbo CDTi (A 20 DTR)		Diesel	FWD	1956	143	194	12.12-10.18	■