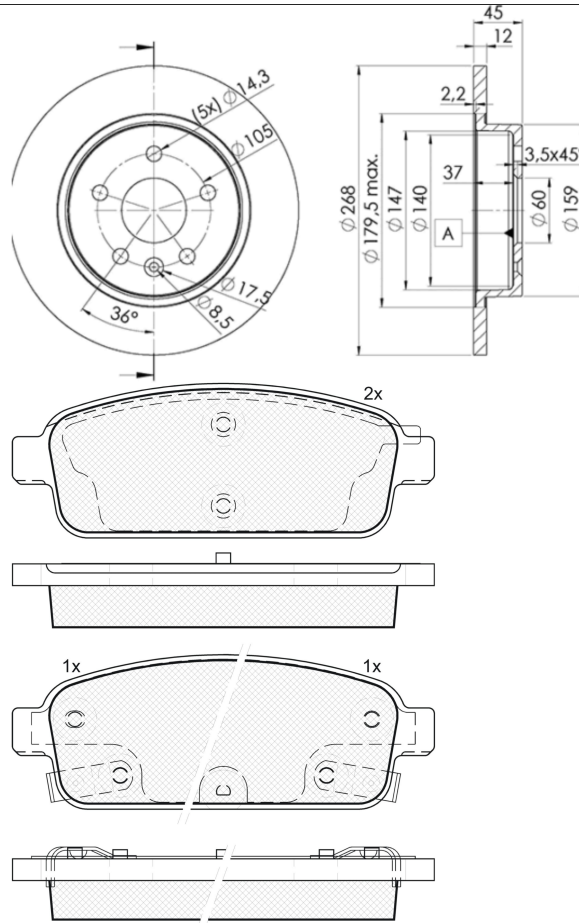


LISTA DE APLICACIONES - BUYERS GUIDE

31943-1560



Weight: 10.955



31943-1560



Ate - Teves

116.6x42.7x16.7
Ø268x12x45

| WVA |
|-------|
| 25096 |
| 25097 |
| 25098 |

| MAKE |
|-----------------|
| BUICK |
| BUICK (SGM) |
| CHEVROLET |
| CHEVROLET (SGM) |
| HOLDEN |
| NISSAN |
| OPEL |
| VAUXHALL |



| Trac. | CC | Kw | CV |
|-------|----|----|----|
|-------|----|----|----|



Front / Rear

BUICK

ENCORE SUV 09.12-

SUV (Mini SUV-J Segment)

| | | | | | | | |
|-----------------------|----------|-----|------|-----|-----|--------|---|
| 1.4 (LUV) | Gasolina | FWD | 1364 | 103 | 140 | 09.12- | ■ |
| 1.4 (LUV) | Gasolina | FWD | 1364 | 103 | 140 | 09.12- | ■ |
| 1.4 AWD (LUV) | Gasolina | 4WD | 1364 | 103 | 140 | 09.12- | ■ |
| 1.4 AWD (LUV) | Gasolina | 4WD | 1364 | 103 | 140 | 09.12- | ■ |
| 1.4 (LE2(85CUL4)) | Gasolina | FWD | 1399 | 114 | 155 | 09.12- | ■ |
| 1.4 (LE2(85CUL4)) | Gasolina | FWD | 1399 | 114 | 155 | 09.12- | ■ |
| 1.4 AWD (LE2(85CUL4)) | Gasolina | 4WD | 1399 | 114 | 155 | 09.12- | ■ |
| 1.4 AWD (LE2(85CUL4)) | Gasolina | 4WD | 1399 | 114 | 155 | 09.12- | ■ |

BUICK (SGM)

ENCORE (SJ2) 07.12-

SUV (Mini SUV-J Segment)

| | | | | | | | |
|----------------------|----------|-----|------|-----|-----|-------------|---|
| 1.4 | Gasolina | FWD | 1364 | 103 | 140 | 07.12-11.13 | ■ |
| 1.4 | Gasolina | FWD | 1364 | 103 | 140 | 07.12-11.13 | ■ |
| 1.4 | Gasolina | FWD | 1364 | 103 | 140 | 07.12-11.13 | ■ |
| 1.4 | Gasolina | FWD | 1364 | 103 | 140 | 07.12-11.13 | ■ |
| 1.4 T | Gasolina | FWD | 1364 | 103 | 140 | 10.12- | ■ |
| 1.4 T | Gasolina | FWD | 1364 | 103 | 140 | 10.12- | ■ |
| 1.4 T A las 4 ruedas | Gasolina | FWD | 1364 | 103 | 140 | 10.12- | ■ |
| 1.4 T A las 4 ruedas | Gasolina | FWD | 1364 | 103 | 140 | 10.12- | ■ |
| 1.4 T (LFF) | Gasolina | FWD | 1372 | 105 | 143 | 12.16- | ■ |
| 1.4 T (LFF) | Gasolina | FWD | 1372 | 105 | 143 | 12.16- | ■ |
| 1.4 T AWD (LFF) | Gasolina | 4WD | 1372 | 105 | 143 | 12.16- | ■ |
| 1.4 T AWD (LFF) | Gasolina | 4WD | 1372 | 105 | 143 | 12.16- | ■ |

LISTA DE APLICACIONES - BUYERS GUIDE

| | | | | | | | | |
|--------------------------------------|--|---------------|-----|------|--|-----|-------------|---|
| EXCELLE GT (CP2) 06.10- | | | | | Saloon (Compact car-C Segment) | | | |
| 1.6 | | Gasolina | FWD | 1598 | 89 | 121 | 06.10- | ■ |
| 1.6 | | Gasolina | FWD | 1598 | 89 | 121 | 06.10- | ■ |
| 1.8 T | | Gasolina | FWD | 1796 | 108 | 147 | 06.10- | ■ |
| 1.8 T | | Gasolina | FWD | 1796 | 108 | 147 | 06.10- | ■ |
| EXCELLE XT (CP2) 01.10-12.15 | | | | | Hatchback (Compact car-C Segment) | | | |
| 1.6 | | Gasolina | FWD | 1598 | 89 | 121 | 01.10- | ■ |
| 1.6 | | Gasolina | FWD | 1598 | 89 | 121 | 01.10- | ■ |
| 1.8 | | Gasolina | FWD | 1796 | 108 | 147 | 01.10- | ■ |
| 1.8 | | Gasolina | FWD | 1796 | 108 | 147 | 01.10- | ■ |
| CHEVROLET | | | | | | | | |
| AVEO II / SONIC (T300) 03.11- | | | | | Hatchback (Supermini car-B Segment) | | | |
| 1.4 Turbo (LUJ) | | Gasolina | FWD | 1364 | 103 | 140 | 08.13- | ■ |
| 1.4 Turbo (LUJ) | | Gasolina | FWD | 1364 | 103 | 140 | 08.13- | ■ |
| 1.8 | | Gasolina | FWD | 1796 | 103 | 140 | 07.15-12.18 | ■ |
| 1.8 | | Gasolina | FWD | 1796 | 103 | 140 | 07.15-12.18 | ■ |
| 1.8 Flexfuel | | Gasol./Etanol | FWD | 1796 | 101 | 137 | 09.13-07.15 | ■ |
| 1.8 Flexfuel | | Gasol./Etanol | FWD | 1796 | 101 | 137 | 09.13-07.15 | ■ |
| 1.8 Flexfuel | | Gasol./Etanol | FWD | 1796 | 103 | 140 | 07.15-12.18 | ■ |
| 1.8 Flexfuel | | Gasol./Etanol | FWD | 1796 | 103 | 140 | 07.15-12.18 | ■ |
| AVEO II / SONIC (T300) 03.11- | | | | | Saloon (Supermini car-B Segment) | | | |
| 1.8 | | Gasolina | FWD | 1796 | 103 | 140 | 07.15-12.18 | ■ |
| 1.8 | | Gasolina | FWD | 1796 | 103 | 140 | 07.15-12.18 | ■ |
| 1.8 Flexfuel (LUW,LWE) | | Gasol./Etanol | FWD | 1796 | 101 | 137 | 09.13-07.15 | ■ |
| 1.8 Flexfuel (LUW,LWE) | | Gasol./Etanol | FWD | 1796 | 101 | 137 | 09.13-07.15 | ■ |
| 1.8 Flexfuel | | Gasol./Etanol | FWD | 1796 | 103 | 140 | 07.15-12.18 | ■ |
| 1.8 Flexfuel | | Gasol./Etanol | FWD | 1796 | 103 | 140 | 07.15-12.18 | ■ |
| CRUZE I (J305) 12.10- | | | | | Hatchback (Supermini car-B Segment) | | | |
| 1.4 (A 14 NET) | | Gasolina | FWD | 1364 | 103 | 140 | 06.12- | ■ |
| 1.4 (A 14 NET) | | Gasolina | FWD | 1364 | 103 | 140 | 06.12- | ■ |
| 1.4 (LUJ) | | Gasolina | FWD | 1364 | 103 | 140 | 06.12- | ■ |
| 1.4 (LUJ) | | Gasolina | FWD | 1364 | 103 | 140 | 06.12- | ■ |
| 1.4 (LDD) | | Gasolina | FWD | 1398 | 74 | 101 | 07.13-12.15 | ■ |
| 1.4 (LDD) | | Gasolina | FWD | 1398 | 74 | 101 | 07.13-12.15 | ■ |
| 1.6 (LXT) | | Gasolina | FWD | 1598 | 80 | 109 | 01.12- | ■ |
| 1.6 (LXT) | | Gasolina | FWD | 1598 | 80 | 109 | 01.12- | ■ |
| 1.6 (LDE) | | Gasolina | FWD | 1598 | 86 | 117 | 12.12- | ■ |
| 1.6 (LDE) | | Gasolina | FWD | 1598 | 86 | 117 | 12.12- | ■ |
| 1.6 | | Gasolina | FWD | 1598 | 89 | 121 | 12.12- | ■ |
| 1.6 | | Gasolina | FWD | 1598 | 89 | 121 | 12.12- | ■ |
| 1.6 (LDE) | | Gasolina | FWD | 1598 | 91 | 124 | 06.11- | ■ |
| 1.6 (LDE) | | Gasolina | FWD | 1598 | 91 | 124 | 06.11- | ■ |
| 1.6 T | | Gasolina | FWD | 1598 | 135 | 184 | 12.12- | ■ |
| 1.6 T | | Gasolina | FWD | 1598 | 135 | 184 | 12.12- | ■ |
| 1.8 (2H0) | | Gasolina | FWD | 1796 | 103 | 140 | 10.11- | ■ |

LISTA DE APLICACIONES - BUYERS GUIDE

| | | | | | | | | |
|------------------------------|--|------------------|-----|------|---|-----|-------------|---|
| 1.8 (2H0) | | Gasolina | FWD | 1796 | 103 | 140 | 10.11- | ■ |
| 1.8 (2H0) | | Gasolina | FWD | 1796 | 104 | 141 | 06.11- | ■ |
| 1.8 (2H0) | | Gasolina | FWD | 1796 | 104 | 141 | 06.11- | ■ |
| 1.8 Flex | | Gasolina | FWD | 1796 | 106 | 144 | 10.12- | ■ |
| 1.8 Flex | | Gasolina | FWD | 1796 | 106 | 144 | 10.12- | ■ |
| 1.8 | | Gasolina | FWD | 1796 | 108 | 147 | 12.12- | ■ |
| 1.8 | | Gasolina | FWD | 1796 | 108 | 147 | 12.12- | ■ |
| 1.8 LPG (2H0) | | Gasol./Gas (LPG) | FWD | 1796 | 104 | 141 | 06.11-12.15 | ■ |
| 1.8 LPG (2H0) | | Gasol./Gas (LPG) | FWD | 1796 | 104 | 141 | 06.11-12.15 | ■ |
| 1.7 TD (LKR) | | Diesel | FWD | 1686 | 81 | 110 | 08.13-12.15 | ■ |
| 1.7 TD (LKR) | | Diesel | FWD | 1686 | 81 | 110 | 08.13-12.15 | ■ |
| 1.7 D (LUD) | | Diesel | FWD | 1686 | 96 | 131 | 01.12-12.15 | ■ |
| 1.7 D (LUD) | | Diesel | FWD | 1686 | 96 | 131 | 01.12-12.15 | ■ |
| 2.0 CDI | | Diesel | RWD | 1991 | 110 | 150 | 01.12- | ■ |
| 2.0 CDI | | Diesel | RWD | 1991 | 110 | 150 | 01.12- | ■ |
| 2.0 VCDi | | Diesel | RWD | 1998 | 110 | 150 | 12.10- | ■ |
| 2.0 VCDi | | Diesel | RWD | 1998 | 110 | 150 | 12.10- | ■ |
| 2.0 CDI (LNP) | | Diesel | FWD | 1998 | 120 | 163 | 06.11- | ■ |
| 2.0 CDI (LNP) | | Diesel | FWD | 1998 | 120 | 163 | 06.11- | ■ |
| CRUZE I (J300) 05.09- | | | | | Saloon (Supermini car-B Segment) | | | |
| 1.4 (LUJ) | | Gasolina | FWD | 1364 | 103 | 140 | 09.10- | ■ |
| 1.4 (LUJ) | | Gasolina | FWD | 1364 | 103 | 140 | 09.10- | ■ |
| 1.4 (LDD) | | Gasolina | FWD | 1398 | 74 | 101 | 07.13- | ■ |
| 1.4 (LDD) | | Gasolina | FWD | 1398 | 74 | 101 | 07.13- | ■ |
| 1.4 | | Gasolina | FWD | 1398 | 103 | 140 | 10.13- | ■ |
| 1.4 | | Gasolina | FWD | 1398 | 103 | 140 | 10.13- | ■ |
| 1.6 (LXT) | | Gasolina | FWD | 1598 | 80 | 109 | 05.09- | ■ |
| 1.6 (LXT) | | Gasolina | FWD | 1598 | 80 | 109 | 05.09- | ■ |
| 1.6 (LDE) | | Gasolina | FWD | 1598 | 83 | 113 | 05.09- | ■ |
| 1.6 (LDE) | | Gasolina | FWD | 1598 | 83 | 113 | 05.09- | ■ |
| 1.6 | | Gasolina | FWD | 1598 | 86 | 117 | 12.12- | ■ |
| 1.6 | | Gasolina | FWD | 1598 | 86 | 117 | 12.12- | ■ |
| 1.6 (LDE) | | Gasolina | FWD | 1598 | 86 | 117 | 12.12- | ■ |
| 1.6 (LDE) | | Gasolina | FWD | 1598 | 86 | 117 | 12.12- | ■ |
| 1.6 | | Gasolina | FWD | 1598 | 89 | 121 | 12.12- | ■ |
| 1.6 | | Gasolina | FWD | 1598 | 89 | 121 | 12.12- | ■ |
| 1.6 (LDE) | | Gasolina | FWD | 1598 | 91 | 124 | 05.09- | ■ |
| 1.6 (LDE) | | Gasolina | FWD | 1598 | 91 | 124 | 05.09- | ■ |
| 1.6 T | | Gasolina | FWD | 1598 | 135 | 184 | 12.12- | ■ |
| 1.6 T | | Gasolina | FWD | 1598 | 135 | 184 | 12.12- | ■ |
| 1.8 (LUW,LWE) | | Gasolina | FWD | 1796 | 101 | 137 | 05.09- | ■ |
| 1.8 (LUW,LWE) | | Gasolina | FWD | 1796 | 101 | 137 | 05.09- | ■ |
| 1.8 (LUW) | | Gasolina | FWD | 1796 | 103 | 140 | 11.09- | ■ |
| 1.8 (LUW) | | Gasolina | FWD | 1796 | 103 | 140 | 11.09- | ■ |
| 1.8 (LWE) | | Gasolina | FWD | 1796 | 103 | 140 | 11.09- | ■ |
| 1.8 (LWE) | | Gasolina | FWD | 1796 | 103 | 140 | 11.09- | ■ |
| 1.8 (2H0) | | Gasolina | FWD | 1796 | 104 | 141 | 05.09- | ■ |
| 1.8 (2H0) | | Gasolina | FWD | 1796 | 104 | 141 | 05.09- | ■ |
| 1.8 Flex | | Gasolina | FWD | 1796 | 106 | 144 | 01.11- | ■ |
| 1.8 Flex | | Gasolina | FWD | 1796 | 106 | 144 | 01.11- | ■ |

LISTA DE APLICACIONES - BUYERS GUIDE

| | | | | | | | | |
|--|--|------------------|-----|------|--|-----|-------------|---|
| 1.8 | | Gasolina | FWD | 1796 | 108 | 147 | 12.12- | ■ |
| 1.8 | | Gasolina | FWD | 1796 | 108 | 147 | 12.12- | ■ |
| 1.8 LPG (2H0) | | Gasol./Gas (LPG) | FWD | 1796 | 104 | 141 | 06.11- | ■ |
| 1.8 LPG (2H0) | | Gasol./Gas (LPG) | FWD | 1796 | 104 | 141 | 06.11- | ■ |
| 1.8 Flex (LUW) | | Gasol./Etanol | FWD | 1796 | 101 | 137 | 09.13- | ■ |
| 1.8 Flex (LUW) | | Gasol./Etanol | FWD | 1796 | 101 | 137 | 09.13- | ■ |
| 1.8 Flex (LUW) | | Gasol./Etanol | FWD | 1796 | 103 | 140 | 08.15- | ■ |
| 1.8 Flex (LUW) | | Gasol./Etanol | FWD | 1796 | 103 | 140 | 08.15- | ■ |
| 1.7 TD (LKR) | | Diesel | FWD | 1686 | 81 | 110 | 11.13- | ■ |
| 1.7 TD (LKR) | | Diesel | FWD | 1686 | 81 | 110 | 11.13- | ■ |
| 1.7 D (LUD) | | Diesel | FWD | 1686 | 96 | 131 | 01.12- | ■ |
| 1.7 D (LUD) | | Diesel | FWD | 1686 | 96 | 131 | 01.12- | ■ |
| 2.0 CDI (LUZ) | | Diesel | FWD | 1956 | 110 | 150 | 09.13- | ■ |
| 2.0 CDI (LUZ) | | Diesel | FWD | 1956 | 110 | 150 | 09.13- | ■ |
| 2.0 CDI | | Diesel | RWD | 1956 | 113 | 154 | 09.13-12.15 | ■ |
| 2.0 CDI | | Diesel | RWD | 1956 | 113 | 154 | 09.13-12.15 | ■ |
| 2.0 CDI | | Diesel | FWD | 1991 | 90 | 123 | 05.09- | ■ |
| 2.0 CDI | | Diesel | FWD | 1991 | 90 | 123 | 05.09- | ■ |
| 2.0 CDI (LLW) | | Diesel | FWD | 1991 | 92 | 125 | 05.09-05.11 | ■ |
| 2.0 CDI (LLW) | | Diesel | FWD | 1991 | 92 | 125 | 05.09-05.11 | ■ |
| 2.0 CDI (LLW) | | Diesel | FWD | 1991 | 110 | 150 | 05.09- | ■ |
| 2.0 CDI (LLW) | | Diesel | FWD | 1991 | 110 | 150 | 05.09- | ■ |
| 2.0 CDI (LNP) | | Diesel | FWD | 1998 | 120 | 163 | 08.10- | ■ |
| 2.0 CDI (LNP) | | Diesel | FWD | 1998 | 120 | 163 | 08.10- | ■ |
| 2.0 VCDi (LNP) | | Diesel | FWD | 1998 | 122 | 166 | 03.12-11.18 | ■ |
| 2.0 VCDi (LNP) | | Diesel | FWD | 1998 | 122 | 166 | 03.12-11.18 | ■ |
| CRUZE I Station Wagon (J308) 08.12- | | | | | Estate (Supermini car-B Segment) | | | |
| 1.4 (LUJ) | | Gasolina | FWD | 1364 | 103 | 140 | 08.12- | ■ |
| 1.4 (LUJ) | | Gasolina | FWD | 1364 | 103 | 140 | 08.12- | ■ |
| 1.4 (LDD) | | Gasolina | FWD | 1398 | 74 | 101 | 07.13-12.15 | ■ |
| 1.4 (LDD) | | Gasolina | FWD | 1398 | 74 | 101 | 07.13-12.15 | ■ |
| 1.6 (LDE) | | Gasolina | FWD | 1598 | 86 | 117 | 12.12-12.15 | ■ |
| 1.6 (LDE) | | Gasolina | FWD | 1598 | 86 | 117 | 12.12-12.15 | ■ |
| 1.6 (LDE) | | Gasolina | FWD | 1598 | 91 | 124 | 08.12-12.15 | ■ |
| 1.6 (LDE) | | Gasolina | FWD | 1598 | 91 | 124 | 08.12-12.15 | ■ |
| 1.8 (2H0) | | Gasolina | FWD | 1796 | 104 | 141 | 08.12- | ■ |
| 1.8 (2H0) | | Gasolina | FWD | 1796 | 104 | 141 | 08.12- | ■ |
| 1.7 TD (LKR) | | Diesel | FWD | 1686 | 81 | 110 | 11.13-12.15 | ■ |
| 1.7 TD (LKR) | | Diesel | FWD | 1686 | 81 | 110 | 11.13-12.15 | ■ |
| 1.7 TD (LUD) | | Diesel | FWD | 1686 | 96 | 131 | 08.12- | ■ |
| 1.7 TD (LUD) | | Diesel | FWD | 1686 | 96 | 131 | 08.12- | ■ |
| 2.0 TD (LNP) | | Diesel | FWD | 1998 | 120 | 163 | 08.12- | ■ |
| 2.0 TD (LNP) | | Diesel | FWD | 1998 | 120 | 163 | 08.12- | ■ |
| CRUZE II (J405) 01.17- | | | | | Hatchback (Supermini car-B Segment) | | | |
| 1.4 Flex (LE2(85CUL4)) | | Gasol./Etanol | FWD | 1399 | 113 | 153 | 01.17-12.23 | ■ |
| 1.4 Flex (LE2(85CUL4)) | | Gasol./Etanol | FWD | 1399 | 113 | 153 | 01.17-12.23 | ■ |

LISTA DE APLICACIONES - BUYERS GUIDE

| TRAX / TRACKER 12.12- | | | | | SUV (Mini SUV-J Segment) | | | |
|-------------------------|--|------------------|-----|------|-------------------------------------|-----|-------------|---|
| 1.4 (LUJ) | | Gasolina | FWD | 1364 | 103 | 140 | 12.12- | ■ |
| 1.4 (LUJ) | | Gasolina | FWD | 1364 | 103 | 140 | 12.12- | ■ |
| 1.4 AWD (LUJ) | | Gasolina | 4WD | 1364 | 103 | 140 | 12.12- | ■ |
| 1.4 AWD (LUJ) | | Gasolina | 4WD | 1364 | 103 | 140 | 12.12- | ■ |
| 1.6 (LDE) | | Gasolina | FWD | 1598 | 85 | 116 | 12.12- | ■ |
| 1.6 (LDE) | | Gasolina | FWD | 1598 | 85 | 116 | 12.12- | ■ |
| 1.6 | | Gasolina | FWD | 1598 | 85 | 116 | 12.12- | ■ |
| 1.6 | | Gasolina | FWD | 1598 | 85 | 116 | 12.12- | ■ |
| 1.8 (2H0) | | Gasolina | FWD | 1796 | 103 | 140 | 03.13- | ■ |
| 1.8 (2H0) | | Gasolina | FWD | 1796 | 103 | 140 | 03.13- | ■ |
| 1.8 AWD (2H0) | | Gasolina | 4WD | 1796 | 103 | 140 | 03.13- | ■ |
| 1.8 AWD (2H0) | | Gasolina | 4WD | 1796 | 103 | 140 | 03.13- | ■ |
| 1.4 LPG (LUJ) | | Gasol./Gas (LPG) | FWD | 1364 | 103 | 140 | 04.13- | ■ |
| 1.4 LPG (LUJ) | | Gasol./Gas (LPG) | FWD | 1364 | 103 | 140 | 04.13- | ■ |
| 1.4 Flex (LE2(85CUL4)) | | Gasol./Etanol | FWD | 1399 | 113 | 153 | 01.17- | ■ |
| 1.4 Flex (LE2(85CUL4)) | | Gasol./Etanol | FWD | 1399 | 113 | 153 | 01.17- | ■ |
| 1.8 Flex (LFH) | | Gasol./Etanol | FWD | 1796 | 106 | 144 | 10.13-02.17 | ■ |
| 1.8 Flex (LFH) | | Gasol./Etanol | FWD | 1796 | 106 | 144 | 10.13-02.17 | ■ |
| D AWD | | Diesel | 4WD | 1598 | 99 | 135 | 01.16- | ■ |
| D AWD | | Diesel | 4WD | 1598 | 99 | 135 | 01.16- | ■ |
| 1.6 D (LVL) | | Diesel | FWD | 1598 | 100 | 136 | 11.14-12.15 | ■ |
| 1.6 D (LVL) | | Diesel | FWD | 1598 | 100 | 136 | 11.14-12.15 | ■ |
| 1.6 D AWD (LVL) | | Diesel | 4WD | 1598 | 100 | 136 | 11.14-12.15 | ■ |
| 1.6 D AWD (LVL) | | Diesel | 4WD | 1598 | 100 | 136 | 11.14-12.15 | ■ |
| 1.7 TD (LUD) | | Diesel | FWD | 1686 | 96 | 131 | 12.12- | ■ |
| 1.7 TD (LUD) | | Diesel | FWD | 1686 | 96 | 131 | 12.12- | ■ |
| 1.7 TD AWD (LUD) | | Diesel | 4WD | 1686 | 96 | 131 | 12.12- | ■ |
| 1.7 TD AWD (LUD) | | Diesel | 4WD | 1686 | 96 | 131 | 12.12- | ■ |
| CHEVROLET (SGM) | | | | | | | | |
| CRUZE (CP1) 09.13- | | | | | Hatchback (Supermini car-B Segment) | | | |
| 1.6 (LDE) | | Gasolina | FWD | 1598 | 89 | 121 | 09.13-02.17 | ■ |
| 1.6 (LDE) | | Gasolina | FWD | 1598 | 89 | 121 | 09.13-02.17 | ■ |
| CRUZE (CP1) 04.09-07.16 | | | | | Saloon (Supermini car-B Segment) | | | |
| 1.6 | | Gasolina | FWD | 1598 | 86 | 117 | 04.09- | ■ |
| 1.6 | | Gasolina | FWD | 1598 | 86 | 117 | 04.09- | ■ |
| 1.6 (LDE) | | Gasolina | FWD | 1598 | 86 | 117 | 04.09-12.13 | ■ |
| 1.6 (LDE) | | Gasolina | FWD | 1598 | 86 | 117 | 04.09-12.13 | ■ |
| 1.8 | | Gasolina | FWD | 1796 | 105 | 143 | 04.09- | ■ |
| 1.8 | | Gasolina | FWD | 1796 | 105 | 143 | 04.09- | ■ |
| 1.8 (2H0) | | Gasolina | FWD | 1796 | 105 | 143 | 04.09-12.11 | ■ |
| 1.8 (2H0) | | Gasolina | FWD | 1796 | 105 | 143 | 04.09-12.11 | ■ |
| TRAX (SJ3) 04.14- | | | | | SUV (Mini SUV-J Segment) | | | |
| 1.4 T (LFF) | | Gasolina | FWD | 1372 | 103 | 140 | 04.14- | ■ |
| 1.4 T (LFF) | | Gasolina | FWD | 1372 | 103 | 140 | 04.14- | ■ |
| 1.4 T AWD (LFF) | | Gasolina | 4WD | 1372 | 103 | 140 | 04.14- | ■ |
| 1.4 T AWD (LFF) | | Gasolina | 4WD | 1372 | 103 | 140 | 04.14- | ■ |

LISTA DE APLICACIONES - BUYERS GUIDE

| | | | | | | | | |
|----------------------------------|--|----------|-----|--|-----|-----|-------------|---|
| 1.4 T | | Gasolina | FWD | 1372 | 105 | 143 | 11.16- | ■ |
| 1.4 T | | Gasolina | FWD | 1372 | 105 | 143 | 11.16- | ■ |
| 1.4 T AWD | | Gasolina | FWD | 1372 | 105 | 143 | 11.16- | ■ |
| 1.4 T AWD | | Gasolina | FWD | 1372 | 105 | 143 | 11.16- | ■ |
| HOLDEN | | | | | | | | |
| ASTRA (PJ) 12.14- | | | | Hatchback (Compact car-C Segment) | | | | |
| 1.6 GTC Sport | | Gasolina | FWD | 1598 | 125 | 170 | 12.14- | ■ |
| 1.6 GTC Sport | | Gasolina | FWD | 1598 | 125 | 170 | 12.14- | ■ |
| 1.6 GTC Sport | | Gasolina | FWD | 1598 | 147 | 200 | 12.14- | ■ |
| 1.6 GTC Sport | | Gasolina | FWD | 1598 | 147 | 200 | 12.14- | ■ |
| ASTRA (BL) 06.17- | | | | Saloon (Compact car-C Segment) | | | | |
| 1.4 (B 14 XFT) | | Gasolina | FWD | 1399 | 110 | 150 | 06.17- | ■ |
| 1.4 (B 14 XFT) | | Gasolina | FWD | 1399 | 110 | 150 | 06.17- | ■ |
| BARINA (TM) 11.11- | | | | Hatchback (Supermini car-B Segment) | | | | |
| 1.4 Turbo | | Gasolina | FWD | 1364 | 103 | 140 | 07.13- | ■ |
| 1.4 Turbo | | Gasolina | FWD | 1364 | 103 | 140 | 07.13- | ■ |
| CRUZE II (JH) 06.12- | | | | Estate (Supermini car-B Segment) | | | | |
| 1.8 i | | Gasolina | FWD | 1796 | 104 | 141 | 06.12- | ■ |
| 1.8 i | | Gasolina | FWD | 1796 | 104 | 141 | 06.12- | ■ |
| 2.0 DTFi | | Diesel | RWD | 1991 | 120 | 163 | 06.12- | ■ |
| 2.0 DTFi | | Diesel | RWD | 1991 | 120 | 163 | 06.12- | ■ |
| CRUZE II (JH) 11.11- | | | | Hatchback (Supermini car-B Segment) | | | | |
| 1.4 i Turbo | | Gasolina | FWD | 1364 | 103 | 140 | 11.11- | ■ |
| 1.4 i Turbo | | Gasolina | FWD | 1364 | 103 | 140 | 11.11- | ■ |
| 1.6 i | | Gasolina | FWD | 1598 | 132 | 180 | 04.13- | ■ |
| 1.6 i | | Gasolina | FWD | 1598 | 132 | 180 | 04.13- | ■ |
| 1.8 i | | Gasolina | FWD | 1796 | 104 | 141 | 11.11- | ■ |
| 1.8 i | | Gasolina | FWD | 1796 | 104 | 141 | 11.11- | ■ |
| 2.0 DTFi | | Diesel | RWD | 1991 | 120 | 163 | 11.11- | ■ |
| 2.0 DTFi | | Diesel | RWD | 1991 | 120 | 163 | 11.11- | ■ |
| CRUZE II (JG) 06.09-03.11 | | | | Saloon (Supermini car-B Segment) | | | | |
| 1.4 i Turbo | | Gasolina | FWD | 1364 | 103 | 140 | 03.11- | ■ |
| 1.4 i Turbo | | Gasolina | FWD | 1364 | 103 | 140 | 03.11- | ■ |
| 1.6 i | | Gasolina | FWD | 1598 | 132 | 180 | 04.13- | ■ |
| 1.6 i | | Gasolina | FWD | 1598 | 132 | 180 | 04.13- | ■ |
| 1.8 i | | Gasolina | FWD | 1796 | 104 | 141 | 06.09-03.11 | ■ |
| 1.8 i | | Gasolina | FWD | 1796 | 104 | 141 | 06.09-03.11 | ■ |
| 1.8 i (F18D) | | Gasolina | FWD | 1796 | 104 | 141 | 04.11-12.16 | ■ |
| 1.8 i (F18D) | | Gasolina | FWD | 1796 | 104 | 141 | 04.11-12.16 | ■ |
| 2.0 DTFi | | Diesel | RWD | 1991 | 110 | 150 | 06.09-03.11 | ■ |
| 2.0 DTFi | | Diesel | RWD | 1991 | 110 | 150 | 06.09-03.11 | ■ |
| 2.0 | | Diesel | FWD | 1991 | 120 | 163 | 03.11-07.12 | ■ |
| 2.0 | | Diesel | FWD | 1991 | 120 | 163 | 03.11-07.12 | ■ |
| 2.0 DTFi | | Diesel | RWD | 1991 | 120 | 163 | 03.11- | ■ |
| 2.0 DTFi | | Diesel | RWD | 1991 | 120 | 163 | 03.11- | ■ |
| TRAX (TJ) 10.13- | | | | Closed Off-Road Vehicle (Compact SUV-J Segment) | | | | |
| 1.4 | | Gasolina | FWD | 1364 | 103 | 140 | 08.14- | ■ |
| 1.4 | | Gasolina | FWD | 1364 | 103 | 140 | 08.14- | ■ |

LISTA DE APLICACIONES - BUYERS GUIDE

| | | | | | | | | |
|-------------------------------------|--|----------|-----|------|--|-----|-------------|---|
| 1.8 | | Gasolina | FWD | 1796 | 103 | 140 | 01.14- | ■ |
| 1.8 | | Gasolina | FWD | 1796 | 103 | 140 | 01.14- | ■ |
| NISSAN | | | | | | | | |
| ROGUE 01.07-12.15 | | | | | SUV (Compact SUV-J Segment) | | | |
| 2.5 | | Gasolina | FWD | 2488 | 124 | 169 | 01.10-11.13 | ■ |
| 2.5 | | Gasolina | FWD | 2488 | 124 | 169 | 01.10-11.13 | ■ |
| 2.5 AWD | | Gasolina | 4WD | 2488 | 124 | 169 | 01.10-11.13 | ■ |
| 2.5 AWD | | Gasolina | 4WD | 2488 | 124 | 169 | 01.10-11.13 | ■ |
| 2.5 | | Gasolina | FWD | 2488 | 125 | 170 | 01.10-11.13 | ■ |
| 2.5 | | Gasolina | FWD | 2488 | 125 | 170 | 01.10-11.13 | ■ |
| 2.5 AWD (QR25DE) | | Gasolina | 4WD | 2488 | 125 | 170 | 01.10-11.13 | ■ |
| 2.5 AWD (QR25DE) | | Gasolina | 4WD | 2488 | 125 | 170 | 01.10-11.13 | ■ |
| OPEL | | | | | | | | |
| ASTRA H CLASSIC (A04) 01.09- | | | | | Hatchback (Compact car-C Segment) | | | |
| 1.8 (L48) (Z 18 XER) | | Gasolina | FWD | 1796 | 103 | 140 | 02.13-05.14 | ■ |
| 1.8 (L48) (Z 18 XER) | | Gasolina | FWD | 1796 | 103 | 140 | 02.13-05.14 | ■ |
| 1.7 CDTI (L48) (A 17 DTR) | | Diesel | FWD | 1686 | 92 | 125 | 01.09-05.14 | ■ |
| 1.7 CDTI (L48) (A 17 DTR) | | Diesel | FWD | 1686 | 92 | 125 | 01.09-05.14 | ■ |
| 1.7 CDTI (L48) (Z 17 DTR) | | Diesel | FWD | 1686 | 92 | 125 | 01.09-05.14 | ■ |
| 1.7 CDTI (L48) (Z 17 DTR) | | Diesel | FWD | 1686 | 92 | 125 | 01.09-05.14 | ■ |
| ASTRA J (P10) 09.09-10.15 | | | | | Estate Van (Compact car-C Segment) | | | |
| 1.3 CDTI (35) (A 13 DTE) | | Diesel | FWD | 1248 | 70 | 95 | 10.12-10.15 | ■ |
| 1.3 CDTI (35) (A 13 DTE) | | Diesel | FWD | 1248 | 70 | 95 | 10.12-10.15 | ■ |
| 1.6 CDTi (35) (B 16 DTL) | | Diesel | FWD | 1598 | 81 | 110 | 01.14-10.15 | ■ |
| 1.6 CDTi (35) (B 16 DTL) | | Diesel | FWD | 1598 | 81 | 110 | 01.14-10.15 | ■ |
| 1.7 CDTI (35) (A 17 DTF) | | Diesel | FWD | 1686 | 96 | 131 | 10.12-10.15 | ■ |
| 1.7 CDTI (35) (A 17 DTF) | | Diesel | FWD | 1686 | 96 | 131 | 10.12-10.15 | ■ |
| 1.7 CDTI (35) (A 17 DTS) | | Diesel | FWD | 1686 | 96 | 131 | 10.12-10.15 | ■ |
| 1.7 CDTI (35) (A 17 DTS) | | Diesel | FWD | 1686 | 96 | 131 | 10.12-10.15 | ■ |
| 2.0 CDTI (35) (A 20 DTH) | | Diesel | FWD | 1956 | 121 | 165 | 10.12-10.15 | ■ |
| 2.0 CDTI (35) (A 20 DTH) | | Diesel | FWD | 1956 | 121 | 165 | 10.12-10.15 | ■ |
| ASTRA J (P10) 09.09-10.15 | | | | | Hatchback Van (Compact car-C Segment) | | | |
| 1.3 CDTI (68) (A 13 DTE) | | Diesel | FWD | 1248 | 70 | 95 | 05.13-10.15 | ■ |
| 1.3 CDTI (68) (A 13 DTE) | | Diesel | FWD | 1248 | 70 | 95 | 05.13-10.15 | ■ |
| 1.6 CDTi (68) (B 16 DTL) | | Diesel | FWD | 1598 | 81 | 110 | 01.14-10.15 | ■ |
| 1.6 CDTi (68) (B 16 DTL) | | Diesel | FWD | 1598 | 81 | 110 | 01.14-10.15 | ■ |
| 1.7 CDTI (68) (A 17 DTC) | | Diesel | FWD | 1686 | 81 | 110 | 05.13-10.15 | ■ |
| 1.7 CDTI (68) (A 17 DTC) | | Diesel | FWD | 1686 | 81 | 110 | 05.13-10.15 | ■ |
| 1.7 CDTI (68) (A 17 DTE) | | Diesel | FWD | 1686 | 81 | 110 | 05.13-10.15 | ■ |
| 1.7 CDTI (68) (A 17 DTE) | | Diesel | FWD | 1686 | 81 | 110 | 05.13-10.15 | ■ |
| ASTRA J (P10) 09.09-04.16 | | | | | Hatchback (Compact car-C Segment) | | | |
| 1.4 Turbo (68) (A 14 NEL) | | Gasolina | FWD | 1364 | 88 | 120 | 10.10-10.15 | ■ |
| 1.4 Turbo (68) (A 14 NEL) | | Gasolina | FWD | 1364 | 88 | 120 | 10.10-10.15 | ■ |
| 1.4 Turbo (68) (B 14 NEL) | | Gasolina | FWD | 1364 | 88 | 120 | 10.10-10.15 | ■ |
| 1.4 Turbo (68) (B 14 NEL) | | Gasolina | FWD | 1364 | 88 | 120 | 10.10-10.15 | ■ |
| 1.4 Turbo (68) (A 14 NET) | | Gasolina | FWD | 1364 | 103 | 140 | 12.09-10.15 | ■ |
| 1.4 Turbo (68) (A 14 NET) | | Gasolina | FWD | 1364 | 103 | 140 | 12.09-10.15 | ■ |
| 1.4 Turbo (68) (B 14 NET) | | Gasolina | FWD | 1364 | 103 | 140 | 12.09-10.15 | ■ |

LISTA DE APLICACIONES - BUYERS GUIDE

| | | | | | | | | |
|----------------------------------|--|------------------|-----|------|-----|-----|-------------|---|
| 1.4 Turbo (68) (B 14 NET) | | Gasolina | FWD | 1364 | 103 | 140 | 12.09-10.15 | ■ |
| 1.4 (68) (A 14 XEL) | | Gasolina | FWD | 1398 | 64 | 87 | 12.09-10.15 | ■ |
| 1.4 (68) (A 14 XEL) | | Gasolina | FWD | 1398 | 64 | 87 | 12.09-10.15 | ■ |
| 1.4 (68) (A 14 XER) | | Gasolina | FWD | 1398 | 74 | 100 | 12.09-10.15 | ■ |
| 1.4 (68) (A 14 XER) | | Gasolina | FWD | 1398 | 74 | 100 | 12.09-10.15 | ■ |
| 1.4 (68) (B 14 XER) | | Gasolina | FWD | 1398 | 74 | 100 | 12.09-10.15 | ■ |
| 1.4 (68) (B 14 XER) | | Gasolina | FWD | 1398 | 74 | 100 | 12.09-10.15 | ■ |
| 1.6 (68) (A 16 XER) | | Gasolina | FWD | 1598 | 85 | 115 | 12.09-10.15 | ■ |
| 1.6 (68) (A 16 XER) | | Gasolina | FWD | 1598 | 85 | 115 | 12.09-10.15 | ■ |
| 1.6 (68) (B 16 XER) | | Gasolina | FWD | 1598 | 85 | 115 | 12.09-10.15 | ■ |
| 1.6 (68) (B 16 XER) | | Gasolina | FWD | 1598 | 85 | 115 | 12.09-10.15 | ■ |
| 1.6 SIDI (68) (A 16 XHT) | | Gasolina | FWD | 1598 | 125 | 170 | 12.12-10.15 | ■ |
| 1.6 SIDI (68) (A 16 XHT) | | Gasolina | FWD | 1598 | 125 | 170 | 12.12-10.15 | ■ |
| 1.6 SIDI (68) (B 16 SHL) | | Gasolina | FWD | 1598 | 125 | 170 | 12.12-10.15 | ■ |
| 1.6 SIDI (68) (B 16 SHL) | | Gasolina | FWD | 1598 | 125 | 170 | 12.12-10.15 | ■ |
| 1.6 Turbo (68) (A 16 LET) | | Gasolina | FWD | 1598 | 132 | 180 | 12.09-10.15 | ■ |
| 1.6 Turbo (68) (A 16 LET) | | Gasolina | FWD | 1598 | 132 | 180 | 12.09-10.15 | ■ |
| 1.6 Turbo 4x4 (68) (A 16 LET) | | Gasolina | 4WD | 1598 | 132 | 180 | 12.09-10.15 | ■ |
| 1.6 Turbo 4x4 (68) (A 16 LET) | | Gasolina | 4WD | 1598 | 132 | 180 | 12.09-10.15 | ■ |
| 1.4 LPG (68) (A 14 NET) | | Gasol./Gas (LPG) | FWD | 1364 | 103 | 140 | 01.12-10.15 | ■ |
| 1.4 LPG (68) (A 14 NET) | | Gasol./Gas (LPG) | FWD | 1364 | 103 | 140 | 01.12-10.15 | ■ |
| 1.3 CDTi (68) (A 13 DTE) | | Diesel | FWD | 1248 | 70 | 95 | 12.09-10.15 | ■ |
| 1.3 CDTi (68) (A 13 DTE) | | Diesel | FWD | 1248 | 70 | 95 | 12.09-10.15 | ■ |
| 1.6 CDTi (68) (B 16 DTL) | | Diesel | FWD | 1598 | 81 | 110 | 02.14-10.15 | ■ |
| 1.6 CDTi (68) (B 16 DTL) | | Diesel | FWD | 1598 | 81 | 110 | 02.14-10.15 | ■ |
| 1.6 CDTi (68) (B 16 DTH) | | Diesel | FWD | 1598 | 100 | 136 | 11.13-10.15 | ■ |
| 1.6 CDTi (68) (B 16 DTH) | | Diesel | FWD | 1598 | 100 | 136 | 11.13-10.15 | ■ |
| 1.7 CDTi (68) | | Diesel | FWD | 1686 | 74 | 101 | 10.10-10.15 | ■ |
| 1.7 CDTi (68) | | Diesel | FWD | 1686 | 74 | 101 | 10.10-10.15 | ■ |
| 1.7 CDTi (68) (A 17 DTC) | | Diesel | FWD | 1686 | 81 | 110 | 09.09-10.15 | ■ |
| 1.7 CDTi (68) (A 17 DTC) | | Diesel | FWD | 1686 | 81 | 110 | 09.09-10.15 | ■ |
| 1.7 CDTi (68) (A 17 DTE) | | Diesel | FWD | 1686 | 81 | 110 | 09.09-10.15 | ■ |
| 1.7 CDTi (68) (A 17 DTE) | | Diesel | FWD | 1686 | 81 | 110 | 09.09-10.15 | ■ |
| 1.7 CDTi (68) (A 17 DTJ) | | Diesel | FWD | 1686 | 81 | 110 | 09.09-10.15 | ■ |
| 1.7 CDTi (68) (A 17 DTJ) | | Diesel | FWD | 1686 | 81 | 110 | 09.09-10.15 | ■ |
| 1.7 CDTi (68) (A 17 DTR) | | Diesel | FWD | 1686 | 92 | 125 | 12.09-10.15 | ■ |
| 1.7 CDTi (68) (A 17 DTR) | | Diesel | FWD | 1686 | 92 | 125 | 12.09-10.15 | ■ |
| 1.7 CDTi (68) (A 17 DTF) | | Diesel | FWD | 1686 | 96 | 131 | 07.11-10.15 | ■ |
| 1.7 CDTi (68) (A 17 DTF) | | Diesel | FWD | 1686 | 96 | 131 | 07.11-10.15 | ■ |
| 1.7 CDTi (68) (A 17 DTS) | | Diesel | FWD | 1686 | 96 | 131 | 07.11-10.15 | ■ |
| 1.7 CDTi (68) (A 17 DTS) | | Diesel | FWD | 1686 | 96 | 131 | 07.11-10.15 | ■ |
| 2.0 CDTi (A 20 DTH) | | Diesel | FWD | 1956 | 96 | 131 | 10.14-10.15 | ■ |
| 2.0 CDTi (A 20 DTH) | | Diesel | FWD | 1956 | 96 | 131 | 10.14-10.15 | ■ |
| 2.0 CDTi (68) (A 20 DTH) | | Diesel | FWD | 1956 | 118 | 160 | 09.09-10.15 | ■ |
| 2.0 CDTi (68) (A 20 DTH) | | Diesel | FWD | 1956 | 118 | 160 | 09.09-10.15 | ■ |
| 2.0 CDTi (68) (A 20 DTH) | | Diesel | FWD | 1956 | 121 | 165 | 06.11-10.15 | ■ |
| 2.0 CDTi (68) (A 20 DTH) | | Diesel | FWD | 1956 | 121 | 165 | 06.11-10.15 | ■ |
| 2.0 Biturbo CDTi (68) (A 20 DTR) | | Diesel | FWD | 1956 | 143 | 194 | 09.12-10.15 | ■ |
| 2.0 Biturbo CDTi (68) (A 20 DTR) | | Diesel | FWD | 1956 | 143 | 194 | 09.12-10.15 | ■ |

LISTA DE APLICACIONES - BUYERS GUIDE

| ASTRA J 06.12- | | | | | Saloon (Compact car-C Segment) | | | |
|-------------------------------|--|------------------|-----|------|--|-----|-------------|---|
| 1.4 Turbo (69) (A 14 NEL) | | Gasolina | FWD | 1364 | 88 | 120 | 06.12-10.15 | ■ |
| 1.4 Turbo (69) (A 14 NEL) | | Gasolina | FWD | 1364 | 88 | 120 | 06.12-10.15 | ■ |
| 1.4 Turbo (69) (B 14 NEL) | | Gasolina | FWD | 1364 | 88 | 120 | 06.12-10.15 | ■ |
| 1.4 Turbo (69) (B 14 NEL) | | Gasolina | FWD | 1364 | 88 | 120 | 06.12-10.15 | ■ |
| 1.4 Turbo (69) (A 14 NET) | | Gasolina | FWD | 1364 | 103 | 140 | 06.12-06.18 | ■ |
| 1.4 Turbo (69) (A 14 NET) | | Gasolina | FWD | 1364 | 103 | 140 | 06.12-06.18 | ■ |
| 1.4 Turbo (69) (B 14 NET) | | Gasolina | FWD | 1364 | 103 | 140 | 06.12-06.18 | ■ |
| 1.4 Turbo (69) (B 14 NET) | | Gasolina | FWD | 1364 | 103 | 140 | 06.12-06.18 | ■ |
| 1.4 (A 14 XEL) | | Gasolina | FWD | 1398 | 64 | 87 | 01.14-10.15 | ■ |
| 1.4 (A 14 XEL) | | Gasolina | FWD | 1398 | 64 | 87 | 01.14-10.15 | ■ |
| 1.4 (69) (A 14 XER) | | Gasolina | FWD | 1398 | 74 | 101 | 06.12-10.15 | ■ |
| 1.4 (69) (A 14 XER) | | Gasolina | FWD | 1398 | 74 | 101 | 06.12-10.15 | ■ |
| 1.4 (69) (B 14 XER) | | Gasolina | FWD | 1398 | 74 | 101 | 06.12-10.15 | ■ |
| 1.4 (69) (B 14 XER) | | Gasolina | FWD | 1398 | 74 | 101 | 06.12-10.15 | ■ |
| 1.6 (69) (A 16 XER) | | Gasolina | FWD | 1598 | 85 | 116 | 06.12-06.18 | ■ |
| 1.6 (69) (A 16 XER) | | Gasolina | FWD | 1598 | 85 | 116 | 06.12-06.18 | ■ |
| 1.6 (69) (B 16 XER) | | Gasolina | FWD | 1598 | 85 | 116 | 06.12-06.18 | ■ |
| 1.6 (69) (B 16 XER) | | Gasolina | FWD | 1598 | 85 | 116 | 06.12-06.18 | ■ |
| 1.6 SIDI (69) (A 16 XHT) | | Gasolina | FWD | 1598 | 125 | 170 | 06.12-10.15 | ■ |
| 1.6 SIDI (69) (A 16 XHT) | | Gasolina | FWD | 1598 | 125 | 170 | 06.12-10.15 | ■ |
| 1.6 Turbo (69) (A 16 LET) | | Gasolina | FWD | 1598 | 132 | 180 | 06.12-10.13 | ■ |
| 1.6 Turbo (69) (A 16 LET) | | Gasolina | FWD | 1598 | 132 | 180 | 06.12-10.13 | ■ |
| 1.4 Turbo LPG (69) (A 14 NET) | | Gasol./Gas (LPG) | FWD | 1364 | 103 | 140 | 07.14-06.18 | ■ |
| 1.4 Turbo LPG (69) (A 14 NET) | | Gasol./Gas (LPG) | FWD | 1364 | 103 | 140 | 07.14-06.18 | ■ |
| 1.3 CDTI (69) (A 13 DTE) | | Diesel | FWD | 1248 | 70 | 95 | 06.12-10.15 | ■ |
| 1.3 CDTI (69) (A 13 DTE) | | Diesel | FWD | 1248 | 70 | 95 | 06.12-10.15 | ■ |
| 1.6 CDTi (69) (B 16 DTL) | | Diesel | FWD | 1598 | 81 | 110 | 04.14-06.18 | ■ |
| 1.6 CDTi (69) (B 16 DTL) | | Diesel | FWD | 1598 | 81 | 110 | 04.14-06.18 | ■ |
| 1.6 CDTi (69) (B 16 DTH) | | Diesel | FWD | 1598 | 100 | 136 | 01.14-06.18 | ■ |
| 1.6 CDTi (69) (B 16 DTH) | | Diesel | FWD | 1598 | 100 | 136 | 01.14-06.18 | ■ |
| 1.7 CDTI (69) (A 17 DTC) | | Diesel | FWD | 1686 | 81 | 110 | 06.12-10.15 | ■ |
| 1.7 CDTI (69) (A 17 DTC) | | Diesel | FWD | 1686 | 81 | 110 | 06.12-10.15 | ■ |
| 1.7 CDTI (69) (A 17 DTE) | | Diesel | FWD | 1686 | 81 | 110 | 06.12-10.15 | ■ |
| 1.7 CDTI (69) (A 17 DTE) | | Diesel | FWD | 1686 | 81 | 110 | 06.12-10.15 | ■ |
| 1.7 CDTI (69) (A 17 DTJ) | | Diesel | FWD | 1686 | 81 | 110 | 06.12-10.15 | ■ |
| 1.7 CDTI (69) (A 17 DTJ) | | Diesel | FWD | 1686 | 81 | 110 | 06.12-10.15 | ■ |
| 1.7 CDTI (69) (A 17 DTF) | | Diesel | FWD | 1686 | 96 | 131 | 06.12-10.15 | ■ |
| 1.7 CDTI (69) (A 17 DTF) | | Diesel | FWD | 1686 | 96 | 131 | 06.12-10.15 | ■ |
| 1.7 CDTI (69) (A 17 DTS) | | Diesel | FWD | 1686 | 96 | 131 | 06.12-10.15 | ■ |
| 1.7 CDTI (69) (A 17 DTS) | | Diesel | FWD | 1686 | 96 | 131 | 06.12-10.15 | ■ |
| ASTRA J GTC 10.11- | | | | | Hatchback (Compact car-C Segment) | | | |
| 1.4 (08) (A 14 NEL) | | Gasolina | FWD | 1364 | 88 | 120 | 10.11-04.18 | ■ |
| 1.4 (08) (A 14 NEL) | | Gasolina | FWD | 1364 | 88 | 120 | 10.11-04.18 | ■ |
| 1.4 (08) (B 14 NEL) | | Gasolina | FWD | 1364 | 88 | 120 | 10.11-04.18 | ■ |
| 1.4 (08) (B 14 NEL) | | Gasolina | FWD | 1364 | 88 | 120 | 10.11-04.18 | ■ |
| 1.4 Turbo (08) (A 14 NET) | | Gasolina | FWD | 1364 | 103 | 140 | 10.11-04.18 | ■ |
| 1.4 Turbo (08) (A 14 NET) | | Gasolina | FWD | 1364 | 103 | 140 | 10.11-04.18 | ■ |
| 1.4 Turbo (08) (B 14 NET) | | Gasolina | FWD | 1364 | 103 | 140 | 10.11-04.18 | ■ |
| 1.4 Turbo (08) (B 14 NET) | | Gasolina | FWD | 1364 | 103 | 140 | 10.11-04.18 | ■ |

LISTA DE APLICACIONES - BUYERS GUIDE

| | | | | | | | | |
|---|--|----------|-----|------|-----|-----|---------------------------------------|---|
| 1.4 (08) (A 14 XER) | | Gasolina | FWD | 1398 | 74 | 101 | 10.11-11.13 | ■ |
| 1.4 (08) (A 14 XER) | | Gasolina | FWD | 1398 | 74 | 101 | 10.11-11.13 | ■ |
| 1.6 SIDI (08) (A 16 XHT) | | Gasolina | FWD | 1598 | 125 | 170 | 12.12-04.18 | ■ |
| 1.6 SIDI (08) (A 16 XHT) | | Gasolina | FWD | 1598 | 125 | 170 | 12.12-04.18 | ■ |
| 1.6 SIDI (08) (B 16 SHL) | | Gasolina | FWD | 1598 | 125 | 170 | 12.12-04.18 | ■ |
| 1.6 SIDI (08) (B 16 SHL) | | Gasolina | FWD | 1598 | 125 | 170 | 12.12-04.18 | ■ |
| 1.6 Turbo (08) (A 16 LET) | | Gasolina | FWD | 1598 | 132 | 180 | 10.11-06.13 | ■ |
| 1.6 Turbo (08) (A 16 LET) | | Gasolina | FWD | 1598 | 132 | 180 | 10.11-06.13 | ■ |
| 1.6 SIDI (08) (A 16 SHT) | | Gasolina | FWD | 1598 | 147 | 200 | 07.13-04.18 | ■ |
| 1.6 SIDI (08) (A 16 SHT) | | Gasolina | FWD | 1598 | 147 | 200 | 07.13-04.18 | ■ |
| 1.6 SIDI (08) (B 16 SHT) | | Gasolina | FWD | 1598 | 147 | 200 | 07.13-04.18 | ■ |
| 1.6 SIDI (08) (B 16 SHT) | | Gasolina | FWD | 1598 | 147 | 200 | 07.13-04.18 | ■ |
| 1.8 (08) (A 18 XER) | | Gasolina | FWD | 1796 | 103 | 140 | 10.11-10.13 | ■ |
| 1.8 (08) (A 18 XER) | | Gasolina | FWD | 1796 | 103 | 140 | 10.11-10.13 | ■ |
| 2.0 OPC Turbo (08) (A 20 NFT) | | Gasolina | FWD | 1998 | 206 | 280 | 04.12-04.18 | ■ |
| 2.0 OPC Turbo (08) (A 20 NFT) | | Gasolina | FWD | 1998 | 206 | 280 | 04.12-04.18 | ■ |
| 2.0 OPC Turbo (08) (B 20 NFT) | | Gasolina | FWD | 1998 | 206 | 280 | 04.12-04.18 | ■ |
| 2.0 OPC Turbo (08) (B 20 NFT) | | Gasolina | FWD | 1998 | 206 | 280 | 04.12-04.18 | ■ |
| 1.6 CDTI (08) (B 16 DTL) | | Diesel | FWD | 1598 | 81 | 110 | 07.14-04.18 | ■ |
| 1.6 CDTI (08) (B 16 DTL) | | Diesel | FWD | 1598 | 81 | 110 | 07.14-04.18 | ■ |
| 1.6 CDTI (08) (B 16 DTH) | | Diesel | FWD | 1598 | 100 | 136 | 07.14-04.18 | ■ |
| 1.6 CDTI (08) (B 16 DTH) | | Diesel | FWD | 1598 | 100 | 136 | 07.14-04.18 | ■ |
| 1.7 CDTI (08) (A 17 DTC) | | Diesel | FWD | 1686 | 81 | 110 | 03.12-10.13 | ■ |
| 1.7 CDTI (08) (A 17 DTC) | | Diesel | FWD | 1686 | 81 | 110 | 03.12-10.13 | ■ |
| 1.7 CDTI (08) (A 17 DTE) | | Diesel | FWD | 1686 | 81 | 110 | 03.12-10.13 | ■ |
| 1.7 CDTI (08) (A 17 DTE) | | Diesel | FWD | 1686 | 81 | 110 | 03.12-10.13 | ■ |
| 1.7 CDTI (08) (A 17 DTJ) | | Diesel | FWD | 1686 | 81 | 110 | 03.12-10.13 | ■ |
| 1.7 CDTI (08) (A 17 DTJ) | | Diesel | FWD | 1686 | 81 | 110 | 03.12-10.13 | ■ |
| 1.7 CDTI (08) (A 17 DTF) | | Diesel | FWD | 1686 | 96 | 131 | 03.12-06.14 | ■ |
| 1.7 CDTI (08) (A 17 DTF) | | Diesel | FWD | 1686 | 96 | 131 | 03.12-06.14 | ■ |
| 1.7 CDTI (08) (A 17 DTS) | | Diesel | FWD | 1686 | 96 | 131 | 03.12-06.14 | ■ |
| 1.7 CDTI (08) (A 17 DTS) | | Diesel | FWD | 1686 | 96 | 131 | 03.12-06.14 | ■ |
| 2.0 CDTI (08) (A 20 DTH) | | Diesel | FWD | 1956 | 96 | 131 | 01.12-10.15 | ■ |
| 2.0 CDTI (08) (A 20 DTH) | | Diesel | FWD | 1956 | 96 | 131 | 01.12-10.15 | ■ |
| 2.0 CDTI (08) (A 20 DTH) | | Diesel | FWD | 1956 | 121 | 165 | 01.12-06.15 | ■ |
| 2.0 CDTI (08) (A 20 DTH) | | Diesel | FWD | 1956 | 121 | 165 | 01.12-06.15 | ■ |
| 2.0 BiTurbo CDTI (08) (A 20 DTR) | | Diesel | FWD | 1956 | 143 | 194 | 10.13-06.15 | ■ |
| 2.0 BiTurbo CDTI (08) (A 20 DTR) | | Diesel | FWD | 1956 | 143 | 194 | 10.13-06.15 | ■ |
| ASTRA J Sports Tourer (P10) 10.10- | | | | | | | Estate (Compact car-C Segment) | |
| 1.4 Turbo (35) (A 14 NEL) | | Gasolina | FWD | 1364 | 88 | 120 | 10.10-10.15 | ■ |
| 1.4 Turbo (35) (A 14 NEL) | | Gasolina | FWD | 1364 | 88 | 120 | 10.10-10.15 | ■ |
| 1.4 Turbo (35) (B 14 NEL) | | Gasolina | FWD | 1364 | 88 | 120 | 10.10-10.15 | ■ |
| 1.4 Turbo (35) (B 14 NEL) | | Gasolina | FWD | 1364 | 88 | 120 | 10.10-10.15 | ■ |
| 1.4 Turbo (35) (A 14 NET) | | Gasolina | FWD | 1364 | 103 | 140 | 10.10-10.15 | ■ |
| 1.4 Turbo (35) (A 14 NET) | | Gasolina | FWD | 1364 | 103 | 140 | 10.10-10.15 | ■ |
| 1.4 Turbo (35) (B 14 NET) | | Gasolina | FWD | 1364 | 103 | 140 | 10.10-10.15 | ■ |
| 1.4 Turbo (35) (B 14 NET) | | Gasolina | FWD | 1364 | 103 | 140 | 10.10-10.15 | ■ |
| 1.4 (35) (A 14 XEL) | | Gasolina | FWD | 1398 | 64 | 87 | 10.10-10.15 | ■ |
| 1.4 (35) (A 14 XEL) | | Gasolina | FWD | 1398 | 64 | 87 | 10.10-10.15 | ■ |
| 1.4 (35) (A 14 XER) | | Gasolina | FWD | 1398 | 74 | 101 | 10.10-10.15 | ■ |
| 1.4 (35) (A 14 XER) | | Gasolina | FWD | 1398 | 74 | 101 | 10.10-10.15 | ■ |

LISTA DE APLICACIONES - BUYERS GUIDE

| | | | | | | | | |
|-------------------------------------|--|------------------|-----|------|-----|-----|---------------------------------|---|
| 1.4 (35) (B 14 XER) | | Gasolina | FWD | 1398 | 74 | 101 | 10.10-10.15 | ■ |
| 1.4 (35) (B 14 XER) | | Gasolina | FWD | 1398 | 74 | 101 | 10.10-10.15 | ■ |
| 1.6 (35) (A 16 XER) | | Gasolina | FWD | 1598 | 85 | 116 | 10.10-10.15 | ■ |
| 1.6 (35) (A 16 XER) | | Gasolina | FWD | 1598 | 85 | 116 | 10.10-10.15 | ■ |
| 1.6 (35) (B 16 XER) | | Gasolina | FWD | 1598 | 85 | 116 | 10.10-10.15 | ■ |
| 1.6 (35) (B 16 XER) | | Gasolina | FWD | 1598 | 85 | 116 | 10.10-10.15 | ■ |
| 1.6 SIDI (35) (A 16 XHT) | | Gasolina | FWD | 1598 | 125 | 170 | 12.12-10.15 | ■ |
| 1.6 SIDI (35) (A 16 XHT) | | Gasolina | FWD | 1598 | 125 | 170 | 12.12-10.15 | ■ |
| 1.6 SIDI (35) (B 16 SHL) | | Gasolina | FWD | 1598 | 125 | 170 | 12.12-10.15 | ■ |
| 1.6 SIDI (35) (B 16 SHL) | | Gasolina | FWD | 1598 | 125 | 170 | 12.12-10.15 | ■ |
| 1.6 Turbo (35) (A 16 LET) | | Gasolina | FWD | 1598 | 132 | 180 | 10.10-10.15 | ■ |
| 1.6 Turbo (35) (A 16 LET) | | Gasolina | FWD | 1598 | 132 | 180 | 10.10-10.15 | ■ |
| 1.4 LPG (35) (A 14 NET) | | Gasol./Gas (LPG) | FWD | 1364 | 103 | 140 | 12.11-10.15 | ■ |
| 1.4 LPG (35) (A 14 NET) | | Gasol./Gas (LPG) | FWD | 1364 | 103 | 140 | 12.11-10.15 | ■ |
| 1.3 CDTI (35) (A 13 DTE) | | Diesel | FWD | 1248 | 70 | 95 | 10.10-10.14 | ■ |
| 1.3 CDTI (35) (A 13 DTE) | | Diesel | FWD | 1248 | 70 | 95 | 10.10-10.14 | ■ |
| 1.6 CDTi (35) (B 16 DTL) | | Diesel | FWD | 1598 | 81 | 110 | 02.14-10.15 | ■ |
| 1.6 CDTi (35) (B 16 DTL) | | Diesel | FWD | 1598 | 81 | 110 | 02.14-10.15 | ■ |
| 1.6 CDTi (35) (B 16 DTH) | | Diesel | FWD | 1598 | 100 | 136 | 11.13-10.15 | ■ |
| 1.6 CDTi (35) (B 16 DTH) | | Diesel | FWD | 1598 | 100 | 136 | 11.13-10.15 | ■ |
| 1.7 CDTI (35) (A 17 DTL) | | Diesel | FWD | 1686 | 74 | 101 | 10.10-10.15 | ■ |
| 1.7 CDTI (35) (A 17 DTL) | | Diesel | FWD | 1686 | 74 | 101 | 10.10-10.15 | ■ |
| 1.7 CDTI (35) (A 17 DTN) | | Diesel | FWD | 1686 | 74 | 101 | 10.10-10.15 | ■ |
| 1.7 CDTI (35) (A 17 DTN) | | Diesel | FWD | 1686 | 74 | 101 | 10.10-10.15 | ■ |
| 1.7 CDTI (35) (A 17 DTC) | | Diesel | FWD | 1686 | 81 | 110 | 10.10-10.15 | ■ |
| 1.7 CDTI (35) (A 17 DTC) | | Diesel | FWD | 1686 | 81 | 110 | 10.10-10.15 | ■ |
| 1.7 CDTI (35) (A 17 DTE) | | Diesel | FWD | 1686 | 81 | 110 | 10.10-10.15 | ■ |
| 1.7 CDTI (35) (A 17 DTE) | | Diesel | FWD | 1686 | 81 | 110 | 10.10-10.15 | ■ |
| 1.7 CDTI (35) (A 17 DTJ) | | Diesel | FWD | 1686 | 81 | 110 | 10.10-10.15 | ■ |
| 1.7 CDTI (35) (A 17 DTJ) | | Diesel | FWD | 1686 | 81 | 110 | 10.10-10.15 | ■ |
| 1.7 CDTI (35) (A 17 DTR) | | Diesel | FWD | 1686 | 92 | 125 | 10.10-10.15 | ■ |
| 1.7 CDTI (35) (A 17 DTR) | | Diesel | FWD | 1686 | 92 | 125 | 10.10-10.15 | ■ |
| 1.7 CDTI (35) (A 17 DTF) | | Diesel | FWD | 1686 | 96 | 131 | 10.10-10.15 | ■ |
| 1.7 CDTI (35) (A 17 DTF) | | Diesel | FWD | 1686 | 96 | 131 | 10.10-10.15 | ■ |
| 1.7 CDTI (35) (A 17 DTS) | | Diesel | FWD | 1686 | 96 | 131 | 10.10-10.15 | ■ |
| 1.7 CDTI (35) (A 17 DTS) | | Diesel | FWD | 1686 | 96 | 131 | 10.10-10.15 | ■ |
| 2.0 CDTI (35) | | Diesel | FWD | 1956 | 96 | 131 | 01.14-10.15 | ■ |
| 2.0 CDTI (35) | | Diesel | FWD | 1956 | 96 | 131 | 01.14-10.15 | ■ |
| 2.0 CDTI (35) (A 20 DTH) | | Diesel | FWD | 1956 | 118 | 160 | 10.10-10.15 | ■ |
| 2.0 CDTI (35) (A 20 DTH) | | Diesel | FWD | 1956 | 118 | 160 | 10.10-10.15 | ■ |
| 2.0 CDTI (35) (A 20 DTH) | | Diesel | FWD | 1956 | 121 | 165 | 08.11-10.15 | ■ |
| 2.0 CDTI (35) (A 20 DTH) | | Diesel | FWD | 1956 | 121 | 165 | 08.11-10.15 | ■ |
| 2.0 Biturbo CDTI (35) (A 20 DTR) | | Diesel | FWD | 1956 | 143 | 194 | 09.12-10.15 | ■ |
| 2.0 Biturbo CDTI (35) (A 20 DTR) | | Diesel | FWD | 1956 | 143 | 194 | 09.12-10.15 | ■ |
| MOKKA / MOKKA X (J13) 06.12- | | | | | | | SUV (Mini SUV-J Segment) | |
| 1.4 (_76) (D 14 NEL) | | Gasolina | FWD | 1364 | 88 | 120 | 06.18-12.19 | ■ |
| 1.4 (_76) (D 14 NEL) | | Gasolina | FWD | 1364 | 88 | 120 | 06.18-12.19 | ■ |
| 1.4 (_76) (A 14 NET) | | Gasolina | FWD | 1364 | 103 | 140 | 04.13-12.19 | ■ |
| 1.4 (_76) (A 14 NET) | | Gasolina | FWD | 1364 | 103 | 140 | 04.13-12.19 | ■ |
| 1.4 (_76) (B 14 NET) | | Gasolina | FWD | 1364 | 103 | 140 | 04.13-12.19 | ■ |

LISTA DE APLICACIONES - BUYERS GUIDE

| | | | | | | | | |
|-------------------------------|--|----------------------|-----|------|-----|-----|-------------|---|
| 1.4 (_76) (B 14 NET) | | Gasolina | FWD | 1364 | 103 | 140 | 04.13-12.19 | ■ |
| 1.4 (_76) (D 14 NET) | | Gasolina | FWD | 1364 | 103 | 140 | 04.13-12.19 | ■ |
| 1.4 (_76) (D 14 NET) | | Gasolina | FWD | 1364 | 103 | 140 | 04.13-12.19 | ■ |
| 1.4 4x4 (_76) (A 14 NET) | | Gasolina | 4WD | 1364 | 103 | 140 | 06.12-12.19 | ■ |
| 1.4 4x4 (_76) (A 14 NET) | | Gasolina | 4WD | 1364 | 103 | 140 | 06.12-12.19 | ■ |
| 1.4 4x4 (_76) (B 14 NET) | | Gasolina | 4WD | 1364 | 103 | 140 | 06.12-12.19 | ■ |
| 1.4 4x4 (_76) (B 14 NET) | | Gasolina | 4WD | 1364 | 103 | 140 | 06.12-12.19 | ■ |
| 1.4 4x4 (_76) (D 14 NET) | | Gasolina | 4WD | 1364 | 103 | 140 | 06.12-12.19 | ■ |
| 1.4 4x4 (_76) (D 14 NET) | | Gasolina | 4WD | 1364 | 103 | 140 | 06.12-12.19 | ■ |
| 1.4 4x4 (_76) (B 14 XFT) | | Gasolina | 4WD | 1399 | 112 | 152 | 06.16-12.19 | ■ |
| 1.4 4x4 (_76) (B 14 XFT) | | Gasolina | 4WD | 1399 | 112 | 152 | 06.16-12.19 | ■ |
| 1.6 (_76) (A 16 XER) | | Gasolina | FWD | 1598 | 85 | 116 | 06.12-12.19 | ■ |
| 1.6 (_76) (A 16 XER) | | Gasolina | FWD | 1598 | 85 | 116 | 06.12-12.19 | ■ |
| 1.6 (_76) (B 16 XER) | | Gasolina | FWD | 1598 | 85 | 116 | 06.12-12.19 | ■ |
| 1.6 (_76) (B 16 XER) | | Gasolina | FWD | 1598 | 85 | 116 | 06.12-12.19 | ■ |
| 1.6 (_76) (D 16 XER) | | Gasolina | FWD | 1598 | 85 | 116 | 06.12-12.19 | ■ |
| 1.6 (_76) (D 16 XER) | | Gasolina | FWD | 1598 | 85 | 116 | 06.12-12.19 | ■ |
| 1.8 (_76) (A 18 XER) | | Gasolina | FWD | 1796 | 103 | 140 | 01.13-12.19 | ■ |
| 1.8 (_76) (A 18 XER) | | Gasolina | FWD | 1796 | 103 | 140 | 01.13-12.19 | ■ |
| 1.8 4x4 (_76) (A 18 XER) | | Gasolina | 4WD | 1796 | 103 | 140 | 01.13-12.19 | ■ |
| 1.8 4x4 (_76) (A 18 XER) | | Gasolina | 4WD | 1796 | 103 | 140 | 01.13-12.19 | ■ |
| 1.4 LPG (_76) (A 14 NET) | | Gasol./G as (LPG) | FWD | 1364 | 103 | 140 | 04.13-12.19 | ■ |
| 1.4 LPG (_76) (A 14 NET) | | Gasol./G as (LPG) | FWD | 1364 | 103 | 140 | 04.13-12.19 | ■ |
| 1.4 LPG (_76) (B 14 NET) | | Gasol./G as (LPG) | FWD | 1364 | 103 | 140 | 04.13-12.19 | ■ |
| 1.4 LPG (_76) (B 14 NET) | | Gasol./G as (LPG) | FWD | 1364 | 103 | 140 | 04.13-12.19 | ■ |
| 1.4 LPG (_76) (D 14 NET) | | Gasol./G as (LPG) | FWD | 1364 | 103 | 140 | 04.13-12.19 | ■ |
| 1.4 LPG (_76) (D 14 NET) | | Gasol./G as (LPG) | FWD | 1364 | 103 | 140 | 04.13-12.19 | ■ |
| 1.6 CDTI (_76) (B 16 DTN) | | Diesel | FWD | 1598 | 81 | 110 | 06.15-12.19 | ■ |
| 1.6 CDTI (_76) (B 16 DTN) | | Diesel | FWD | 1598 | 81 | 110 | 06.15-12.19 | ■ |
| 1.6 CDTI (_76) (B 16 DTU) | | Diesel | FWD | 1598 | 81 | 110 | 06.15-12.19 | ■ |
| 1.6 CDTI (_76) (B 16 DTU) | | Diesel | FWD | 1598 | 81 | 110 | 06.15-12.19 | ■ |
| 1.6 CDTI 4x4 (_76) (D 16 DTN) | | Diesel | 4WD | 1598 | 81 | 110 | 03.18-12.19 | ■ |
| 1.6 CDTI 4x4 (_76) (D 16 DTN) | | Diesel | 4WD | 1598 | 81 | 110 | 03.18-12.19 | ■ |
| 1.6 CDTI (_76) (A 16 DTH) | | Diesel | FWD | 1598 | 100 | 136 | 01.15-12.19 | ■ |
| 1.6 CDTI (_76) (A 16 DTH) | | Diesel | FWD | 1598 | 100 | 136 | 01.15-12.19 | ■ |
| 1.6 CDTI (_76) (B 16 DTH) | | Diesel | FWD | 1598 | 100 | 136 | 01.15-12.19 | ■ |
| 1.6 CDTI (_76) (B 16 DTH) | | Diesel | FWD | 1598 | 100 | 136 | 01.15-12.19 | ■ |
| 1.6 CDTI (_76) (D 16 DTH) | | Diesel | FWD | 1598 | 100 | 136 | 01.15-12.19 | ■ |
| 1.6 CDTI (_76) (D 16 DTH) | | Diesel | FWD | 1598 | 100 | 136 | 01.15-12.19 | ■ |
| 1.6 CDTI 4x4 (_76) (B 16 DTH) | | Diesel | 4WD | 1598 | 100 | 136 | 01.15-12.19 | ■ |
| 1.6 CDTI 4x4 (_76) (B 16 DTH) | | Diesel | 4WD | 1598 | 100 | 136 | 01.15-12.19 | ■ |
| 1.6 CDTI 4x4 (_76) (D 16 DTH) | | Diesel | 4WD | 1598 | 100 | 136 | 01.15-12.19 | ■ |
| 1.6 CDTI 4x4 (_76) (D 16 DTH) | | Diesel | 4WD | 1598 | 100 | 136 | 01.15-12.19 | ■ |
| 1.7 CDTI (_76) (A 17 DTS) | | Diesel | FWD | 1686 | 96 | 131 | 06.12-12.19 | ■ |
| 1.7 CDTI (_76) (A 17 DTS) | | Diesel | FWD | 1686 | 96 | 131 | 06.12-12.19 | ■ |
| 1.7 CDTI 4x4 (_76) (A 17 DTS) | | Diesel | 4WD | 1686 | 96 | 131 | 06.12-12.19 | ■ |
| 1.7 CDTI 4x4 (_76) (A 17 DTS) | | Diesel | 4WD | 1686 | 96 | 131 | 06.12-12.19 | ■ |

LISTA DE APLICACIONES - BUYERS GUIDE

| MOKKA / MOKKA X VAN (J13) 06.12- | | | | | SUV Van (Mini SUV-J Segment) | | | |
|---|--|----------|-----|------|--|-----|-------------|---|
| 1.6 CDTi (76) | | Diesel | FWD | 1598 | 100 | 136 | 03.18- | ■ |
| 1.6 CDTi (76) | | Diesel | FWD | 1598 | 100 | 136 | 03.18- | ■ |
| VAUXHALL | | | | | | | | |
| ASTRA Mk VI (J) (P10) 10.10- | | | | | Estate (Compact car-C Segment) | | | |
| 1.4 Turbo (A 14 NET) | | Gasolina | FWD | 1364 | 103 | 140 | 10.10-10.15 | ■ |
| 1.4 Turbo (A 14 NET) | | Gasolina | FWD | 1364 | 103 | 140 | 10.10-10.15 | ■ |
| 1.4 (A 14 XEL) | | Gasolina | FWD | 1398 | 64 | 87 | 10.10-10.15 | ■ |
| 1.4 (A 14 XEL) | | Gasolina | FWD | 1398 | 64 | 87 | 10.10-10.15 | ■ |
| 1.4 (A 14 XER) | | Gasolina | FWD | 1398 | 74 | 101 | 10.10-10.15 | ■ |
| 1.4 (A 14 XER) | | Gasolina | FWD | 1398 | 74 | 101 | 10.10-10.15 | ■ |
| 1.4 (B 14 XER) | | Gasolina | FWD | 1398 | 74 | 101 | 10.10-10.15 | ■ |
| 1.4 (B 14 XER) | | Gasolina | FWD | 1398 | 74 | 101 | 10.10-10.15 | ■ |
| 1.6 (A 16 XER) | | Gasolina | FWD | 1598 | 85 | 116 | 10.10-10.15 | ■ |
| 1.6 (A 16 XER) | | Gasolina | FWD | 1598 | 85 | 116 | 10.10-10.15 | ■ |
| 1.6 (B 16 XER) | | Gasolina | FWD | 1598 | 85 | 116 | 10.10-10.15 | ■ |
| 1.6 (B 16 XER) | | Gasolina | FWD | 1598 | 85 | 116 | 10.10-10.15 | ■ |
| 1.6 Turbo (A 16 LET) | | Gasolina | FWD | 1598 | 132 | 180 | 10.10-10.15 | ■ |
| 1.6 Turbo (A 16 LET) | | Gasolina | FWD | 1598 | 132 | 180 | 10.10-10.15 | ■ |
| 1.3 CDTi (A 13 DTE) | | Diesel | FWD | 1248 | 70 | 95 | 10.10-10.15 | ■ |
| 1.3 CDTi (A 13 DTE) | | Diesel | FWD | 1248 | 70 | 95 | 10.10-10.15 | ■ |
| 1.6 CDTi (B 16 DTL) | | Diesel | FWD | 1598 | 81 | 110 | 01.14-10.15 | ■ |
| 1.6 CDTi (B 16 DTL) | | Diesel | FWD | 1598 | 81 | 110 | 01.14-10.15 | ■ |
| 1.6 CDTi (B 16 DTH) | | Diesel | FWD | 1598 | 100 | 136 | 01.14-10.15 | ■ |
| 1.6 CDTi (B 16 DTH) | | Diesel | FWD | 1598 | 100 | 136 | 01.14-10.15 | ■ |
| 1.7 CDTi (A 17 DTC) | | Diesel | FWD | 1686 | 81 | 110 | 10.10-10.15 | ■ |
| 1.7 CDTi (A 17 DTC) | | Diesel | FWD | 1686 | 81 | 110 | 10.10-10.15 | ■ |
| 1.7 CDTi (A 17 DTE) | | Diesel | FWD | 1686 | 81 | 110 | 10.10-10.15 | ■ |
| 1.7 CDTi (A 17 DTE) | | Diesel | FWD | 1686 | 81 | 110 | 10.10-10.15 | ■ |
| 1.7 CDTi (A 17 DTJ) | | Diesel | FWD | 1686 | 81 | 110 | 10.10-10.15 | ■ |
| 1.7 CDTi (A 17 DTJ) | | Diesel | FWD | 1686 | 81 | 110 | 10.10-10.15 | ■ |
| 1.7 CDTi (A 17 DTR) | | Diesel | FWD | 1686 | 92 | 125 | 10.10-10.15 | ■ |
| 1.7 CDTi (A 17 DTR) | | Diesel | FWD | 1686 | 92 | 125 | 10.10-10.15 | ■ |
| 1.7 CDTi (A 17 DTF) | | Diesel | FWD | 1686 | 96 | 131 | 06.11-10.15 | ■ |
| 1.7 CDTi (A 17 DTF) | | Diesel | FWD | 1686 | 96 | 131 | 06.11-10.15 | ■ |
| 1.7 CDTi (A 17 DTS) | | Diesel | FWD | 1686 | 96 | 131 | 06.11-10.15 | ■ |
| 1.7 CDTi (A 17 DTS) | | Diesel | FWD | 1686 | 96 | 131 | 06.11-10.15 | ■ |
| 2.0 CDTi (A 20 DTH) | | Diesel | FWD | 1956 | 118 | 160 | 10.10-06.11 | ■ |
| 2.0 CDTi (A 20 DTH) | | Diesel | FWD | 1956 | 118 | 160 | 10.10-06.11 | ■ |
| 2.0 CDTi (A 20 DTH) | | Diesel | FWD | 1956 | 121 | 165 | 08.11-10.15 | ■ |
| 2.0 CDTi (A 20 DTH) | | Diesel | FWD | 1956 | 121 | 165 | 08.11-10.15 | ■ |
| 2.0 BiTurbo CDTi (A 20 DTR) | | Diesel | FWD | 1956 | 143 | 194 | 12.12-10.15 | ■ |
| 2.0 BiTurbo CDTi (A 20 DTR) | | Diesel | FWD | 1956 | 143 | 194 | 12.12-10.15 | ■ |
| ASTRA Mk VI (J) (P10) 12.09- | | | | | Hatchback (Compact car-C Segment) | | | |
| 1.4 Turbo (A 14 NEL) | | Gasolina | FWD | 1364 | 88 | 120 | 08.10-10.15 | ■ |
| 1.4 Turbo (A 14 NEL) | | Gasolina | FWD | 1364 | 88 | 120 | 08.10-10.15 | ■ |
| 1.4 Turbo (A 14 NET) | | Gasolina | FWD | 1364 | 103 | 140 | 12.09-10.15 | ■ |
| 1.4 Turbo (A 14 NET) | | Gasolina | FWD | 1364 | 103 | 140 | 12.09-10.15 | ■ |
| 1.4 Turbo (B 14 NET) | | Gasolina | FWD | 1364 | 103 | 140 | 12.09-10.15 | ■ |
| 1.4 Turbo (B 14 NET) | | Gasolina | FWD | 1364 | 103 | 140 | 12.09-10.15 | ■ |

LISTA DE APLICACIONES - BUYERS GUIDE

| | | | | | | | | |
|-------------------------------------|--|----------|-----|------|-----|-----|---------------------------------------|---|
| 1.4 Turbo (D 14 NET) | | Gasolina | FWD | 1364 | 103 | 140 | 12.09-10.15 | ■ |
| 1.4 Turbo (D 14 NET) | | Gasolina | FWD | 1364 | 103 | 140 | 12.09-10.15 | ■ |
| 1.4 (A 14 XEL) | | Gasolina | FWD | 1398 | 64 | 87 | 12.09-10.15 | ■ |
| 1.4 (A 14 XEL) | | Gasolina | FWD | 1398 | 64 | 87 | 12.09-10.15 | ■ |
| 1.4 (A 14 XER) | | Gasolina | FWD | 1398 | 74 | 100 | 12.09-10.15 | ■ |
| 1.4 (A 14 XER) | | Gasolina | FWD | 1398 | 74 | 100 | 12.09-10.15 | ■ |
| 1.4 (B 14 XER) | | Gasolina | FWD | 1398 | 74 | 100 | 12.09-10.15 | ■ |
| 1.4 (B 14 XER) | | Gasolina | FWD | 1398 | 74 | 100 | 12.09-10.15 | ■ |
| 1.6 (A 16 XER) | | Gasolina | FWD | 1598 | 85 | 115 | 12.09-10.15 | ■ |
| 1.6 (A 16 XER) | | Gasolina | FWD | 1598 | 85 | 115 | 12.09-10.15 | ■ |
| 1.6 (B 16 XER) | | Gasolina | FWD | 1598 | 85 | 115 | 12.09-10.15 | ■ |
| 1.6 (B 16 XER) | | Gasolina | FWD | 1598 | 85 | 115 | 12.09-10.15 | ■ |
| 1.6 Turbo (A 16 LET) | | Gasolina | FWD | 1598 | 132 | 180 | 12.09-10.15 | ■ |
| 1.6 Turbo (A 16 LET) | | Gasolina | FWD | 1598 | 132 | 180 | 12.09-10.15 | ■ |
| 1.3 CDTi (A 13 DTE) | | Diesel | FWD | 1248 | 70 | 95 | 12.09-10.15 | ■ |
| 1.3 CDTi (A 13 DTE) | | Diesel | FWD | 1248 | 70 | 95 | 12.09-10.15 | ■ |
| 1.6 CDTi (B 16 DTL) | | Diesel | FWD | 1598 | 81 | 110 | 11.13-10.15 | ■ |
| 1.6 CDTi (B 16 DTL) | | Diesel | FWD | 1598 | 81 | 110 | 11.13-10.15 | ■ |
| 1.6 CDTi (B 16 DTH) | | Diesel | FWD | 1598 | 100 | 136 | 11.13-10.15 | ■ |
| 1.6 CDTi (B 16 DTH) | | Diesel | FWD | 1598 | 100 | 136 | 11.13-10.15 | ■ |
| 1.7 CDTi (A 17 DTL) | | Diesel | FWD | 1686 | 74 | 101 | 10.10-10.15 | ■ |
| 1.7 CDTi (A 17 DTL) | | Diesel | FWD | 1686 | 74 | 101 | 10.10-10.15 | ■ |
| 1.7 CDTi (A 17 DTC) | | Diesel | FWD | 1686 | 81 | 110 | 12.09-10.15 | ■ |
| 1.7 CDTi (A 17 DTC) | | Diesel | FWD | 1686 | 81 | 110 | 12.09-10.15 | ■ |
| 1.7 CDTi (A 17 DTE) | | Diesel | FWD | 1686 | 81 | 110 | 12.09-10.15 | ■ |
| 1.7 CDTi (A 17 DTE) | | Diesel | FWD | 1686 | 81 | 110 | 12.09-10.15 | ■ |
| 1.7 CDTi (A 17 DTJ) | | Diesel | FWD | 1686 | 81 | 110 | 12.09-10.15 | ■ |
| 1.7 CDTi (A 17 DTJ) | | Diesel | FWD | 1686 | 81 | 110 | 12.09-10.15 | ■ |
| 1.7 CDTi (A 17 DTR) | | Diesel | FWD | 1686 | 92 | 125 | 12.09-10.15 | ■ |
| 1.7 CDTi (A 17 DTR) | | Diesel | FWD | 1686 | 92 | 125 | 12.09-10.15 | ■ |
| 1.7 CDTi (A 17 DTF) | | Diesel | FWD | 1686 | 96 | 131 | 06.11-10.15 | ■ |
| 1.7 CDTi (A 17 DTF) | | Diesel | FWD | 1686 | 96 | 131 | 06.11-10.15 | ■ |
| 1.7 CDTi (A 17 DTS) | | Diesel | FWD | 1686 | 96 | 131 | 06.11-10.15 | ■ |
| 1.7 CDTi (A 17 DTS) | | Diesel | FWD | 1686 | 96 | 131 | 06.11-10.15 | ■ |
| 2.0 CDTi (A 20 DTH) | | Diesel | FWD | 1956 | 118 | 160 | 12.09-06.11 | ■ |
| 2.0 CDTi (A 20 DTH) | | Diesel | FWD | 1956 | 118 | 160 | 12.09-06.11 | ■ |
| 2.0 CDTi (A 20 DTH) | | Diesel | FWD | 1956 | 121 | 165 | 08.11-10.15 | ■ |
| 2.0 CDTi (A 20 DTH) | | Diesel | FWD | 1956 | 121 | 165 | 08.11-10.15 | ■ |
| 2.0 BiTurbo CDTi (A 20 DTR) | | Diesel | FWD | 1956 | 143 | 194 | 12.12-10.15 | ■ |
| 2.0 BiTurbo CDTi (A 20 DTR) | | Diesel | FWD | 1956 | 143 | 194 | 12.12-10.15 | ■ |
| ASTRA Mk VI (J) (P10) 06.12- | | | | | | | Saloon (Compact car-C Segment) | |
| 1.4 Turbo (A 14 NET) | | Gasolina | FWD | 1364 | 103 | 140 | 06.12-10.15 | ■ |
| 1.4 Turbo (A 14 NET) | | Gasolina | FWD | 1364 | 103 | 140 | 06.12-10.15 | ■ |
| 1.4 (A 14 XER) | | Gasolina | FWD | 1398 | 74 | 101 | 06.12-10.15 | ■ |
| 1.4 (A 14 XER) | | Gasolina | FWD | 1398 | 74 | 101 | 06.12-10.15 | ■ |
| 1.6 (A 16 XER) | | Gasolina | FWD | 1598 | 85 | 116 | 06.12-10.15 | ■ |
| 1.6 (A 16 XER) | | Gasolina | FWD | 1598 | 85 | 116 | 06.12-10.15 | ■ |
| 1.6 Turbo (A 16 LET) | | Gasolina | FWD | 1598 | 132 | 180 | 06.12-10.15 | ■ |
| 1.6 Turbo (A 16 LET) | | Gasolina | FWD | 1598 | 132 | 180 | 06.12-10.15 | ■ |
| 1.3 CDTi (A 13 DTE) | | Diesel | FWD | 1248 | 70 | 95 | 06.12-10.15 | ■ |
| 1.3 CDTi (A 13 DTE) | | Diesel | FWD | 1248 | 70 | 95 | 06.12-10.15 | ■ |

LISTA DE APLICACIONES - BUYERS GUIDE

| | | | | | | | | |
|---|--|----------|-----|------|-----|-----|--|---|
| 1.7 CDTi (A 17 DTC) | | Diesel | FWD | 1686 | 81 | 110 | 06.12-10.15 | ■ |
| 1.7 CDTi (A 17 DTC) | | Diesel | FWD | 1686 | 81 | 110 | 06.12-10.15 | ■ |
| 1.7 CDTi (A 17 DTE) | | Diesel | FWD | 1686 | 81 | 110 | 06.12-10.15 | ■ |
| 1.7 CDTi (A 17 DTE) | | Diesel | FWD | 1686 | 81 | 110 | 06.12-10.15 | ■ |
| 1.7 CDTi (A 17 DTJ) | | Diesel | FWD | 1686 | 81 | 110 | 06.12-10.15 | ■ |
| 1.7 CDTi (A 17 DTJ) | | Diesel | FWD | 1686 | 81 | 110 | 06.12-10.15 | ■ |
| 1.7 CDTi (A 17 DTF) | | Diesel | FWD | 1686 | 96 | 131 | 06.12-10.15 | ■ |
| 1.7 CDTi (A 17 DTF) | | Diesel | FWD | 1686 | 96 | 131 | 06.12-10.15 | ■ |
| 1.7 CDTi (A 17 DTS) | | Diesel | FWD | 1686 | 96 | 131 | 06.12-10.15 | ■ |
| 1.7 CDTi (A 17 DTS) | | Diesel | FWD | 1686 | 96 | 131 | 06.12-10.15 | ■ |
| ASTRA Mk VI (J) GTC (P10) 10.11- | | | | | | | Hatchback (Compact car-C Segment) | |
| 1.4 (A 14 NEL) | | Gasolina | FWD | 1364 | 88 | 120 | 10.11-10.18 | ■ |
| 1.4 (A 14 NEL) | | Gasolina | FWD | 1364 | 88 | 120 | 10.11-10.18 | ■ |
| 1.4 (B 14 NEL) | | Gasolina | FWD | 1364 | 88 | 120 | 10.11-10.18 | ■ |
| 1.4 (B 14 NEL) | | Gasolina | FWD | 1364 | 88 | 120 | 10.11-10.18 | ■ |
| 1.4 (A 14 NET) | | Gasolina | FWD | 1364 | 103 | 140 | 10.11-04.18 | ■ |
| 1.4 (A 14 NET) | | Gasolina | FWD | 1364 | 103 | 140 | 10.11-04.18 | ■ |
| 1.4 (B 14 NET) | | Gasolina | FWD | 1364 | 103 | 140 | 10.11-04.18 | ■ |
| 1.4 (B 14 NET) | | Gasolina | FWD | 1364 | 103 | 140 | 10.11-04.18 | ■ |
| 1.4 (A 14 XER) | | Gasolina | FWD | 1398 | 74 | 101 | 10.11-10.18 | ■ |
| 1.4 (A 14 XER) | | Gasolina | FWD | 1398 | 74 | 101 | 10.11-10.18 | ■ |
| 1.6 (A 16 LET) | | Gasolina | FWD | 1598 | 132 | 180 | 10.11-10.18 | ■ |
| 1.6 (A 16 LET) | | Gasolina | FWD | 1598 | 132 | 180 | 10.11-10.18 | ■ |
| 1.6 SIDI (A 16 SHT) | | Gasolina | FWD | 1598 | 147 | 200 | 09.13-10.18 | ■ |
| 1.6 SIDI (A 16 SHT) | | Gasolina | FWD | 1598 | 147 | 200 | 09.13-10.18 | ■ |
| 1.6 SIDI (B 16 SHT) | | Gasolina | FWD | 1598 | 147 | 200 | 09.13-10.18 | ■ |
| 1.6 SIDI (B 16 SHT) | | Gasolina | FWD | 1598 | 147 | 200 | 09.13-10.18 | ■ |
| 2.0 VXR (A 20 NFT) | | Gasolina | FWD | 1998 | 206 | 280 | 04.12-10.18 | ■ |
| 2.0 VXR (A 20 NFT) | | Gasolina | FWD | 1998 | 206 | 280 | 04.12-10.18 | ■ |
| 2.0 VXR (B 20 NFT) | | Gasolina | FWD | 1998 | 206 | 280 | 04.12-10.18 | ■ |
| 2.0 VXR (B 20 NFT) | | Gasolina | FWD | 1998 | 206 | 280 | 04.12-10.18 | ■ |
| 1.6 CDTi (B 16 DTL) | | Diesel | FWD | 1598 | 81 | 110 | 07.14-10.18 | ■ |
| 1.6 CDTi (B 16 DTL) | | Diesel | FWD | 1598 | 81 | 110 | 07.14-10.18 | ■ |
| 1.6 CDTi (B 16 DTH) | | Diesel | FWD | 1598 | 100 | 136 | 07.14-10.18 | ■ |
| 1.6 CDTi (B 16 DTH) | | Diesel | FWD | 1598 | 100 | 136 | 07.14-10.18 | ■ |
| 1.7 CDTi (A 17 DTC) | | Diesel | FWD | 1686 | 81 | 110 | 10.11-10.18 | ■ |
| 1.7 CDTi (A 17 DTC) | | Diesel | FWD | 1686 | 81 | 110 | 10.11-10.18 | ■ |
| 1.7 CDTi (A 17 DTE) | | Diesel | FWD | 1686 | 81 | 110 | 10.11-10.18 | ■ |
| 1.7 CDTi (A 17 DTE) | | Diesel | FWD | 1686 | 81 | 110 | 10.11-10.18 | ■ |
| 1.7 CDTi (A 17 DTJ) | | Diesel | FWD | 1686 | 81 | 110 | 10.11-10.18 | ■ |
| 1.7 CDTi (A 17 DTJ) | | Diesel | FWD | 1686 | 81 | 110 | 10.11-10.18 | ■ |
| 1.7 CDTi (A 17 DTF) | | Diesel | FWD | 1686 | 96 | 131 | 10.11-10.18 | ■ |
| 1.7 CDTi (A 17 DTF) | | Diesel | FWD | 1686 | 96 | 131 | 10.11-10.18 | ■ |
| 1.7 CDTi (A 17 DTS) | | Diesel | FWD | 1686 | 96 | 131 | 10.11-10.18 | ■ |
| 1.7 CDTi (A 17 DTS) | | Diesel | FWD | 1686 | 96 | 131 | 10.11-10.18 | ■ |
| 2.0 CDTi (A 20 DTH) | | Diesel | FWD | 1956 | 121 | 165 | 10.11-10.18 | ■ |
| 2.0 CDTi (A 20 DTH) | | Diesel | FWD | 1956 | 121 | 165 | 10.11-10.18 | ■ |
| 2.0 BiTurbo CDTi (A 20 DTR) | | Diesel | FWD | 1956 | 143 | 194 | 12.12-10.18 | ■ |
| 2.0 BiTurbo CDTi (A 20 DTR) | | Diesel | FWD | 1956 | 143 | 194 | 12.12-10.18 | ■ |

LISTA DE APLICACIONES - BUYERS GUIDE

| MOKKA / MOKKA X (J13) 06.12- | | | | | SUV (Mini SUV-J Segment) | | | |
|-------------------------------------|----------|-----|------|-----|---------------------------------|-------------|---|--|
| 1.4 (A 14 NET) | Gasolina | FWD | 1364 | 103 | 140 | 04.13-12.19 | ■ | |
| 1.4 (A 14 NET) | Gasolina | FWD | 1364 | 103 | 140 | 04.13-12.19 | ■ | |
| 1.4 (B 14 NET) | Gasolina | FWD | 1364 | 103 | 140 | 04.13-12.19 | ■ | |
| 1.4 (B 14 NET) | Gasolina | FWD | 1364 | 103 | 140 | 04.13-12.19 | ■ | |
| 1.4 (D 14 NET) | Gasolina | FWD | 1364 | 103 | 140 | 04.13-12.19 | ■ | |
| 1.4 (D 14 NET) | Gasolina | FWD | 1364 | 103 | 140 | 04.13-12.19 | ■ | |
| 1.4 4x4 (A 14 NET) | Gasolina | 4WD | 1364 | 103 | 140 | 06.12-12.19 | ■ | |
| 1.4 4x4 (A 14 NET) | Gasolina | 4WD | 1364 | 103 | 140 | 06.12-12.19 | ■ | |
| 1.4 4x4 (B 14 NET) | Gasolina | 4WD | 1364 | 103 | 140 | 06.12-12.19 | ■ | |
| 1.4 4x4 (B 14 NET) | Gasolina | 4WD | 1364 | 103 | 140 | 06.12-12.19 | ■ | |
| 1.4 4x4 (D 14 NET) | Gasolina | 4WD | 1364 | 103 | 140 | 06.12-12.19 | ■ | |
| 1.4 4x4 (D 14 NET) | Gasolina | 4WD | 1364 | 103 | 140 | 06.12-12.19 | ■ | |
| 1.4 4x4 (B 14 XFT) | Gasolina | 4WD | 1399 | 112 | 152 | 06.16-12.19 | ■ | |
| 1.4 4x4 (B 14 XFT) | Gasolina | 4WD | 1399 | 112 | 152 | 06.16-12.19 | ■ | |
| 1.6 (A 16 XER) | Gasolina | FWD | 1598 | 85 | 116 | 06.12-12.19 | ■ | |
| 1.6 (A 16 XER) | Gasolina | FWD | 1598 | 85 | 116 | 06.12-12.19 | ■ | |
| 1.6 (B 16 XER) | Gasolina | FWD | 1598 | 85 | 116 | 06.12-12.19 | ■ | |
| 1.6 (B 16 XER) | Gasolina | FWD | 1598 | 85 | 116 | 06.12-12.19 | ■ | |
| 1.6 (D 16 XER) | Gasolina | FWD | 1598 | 85 | 116 | 06.12-12.19 | ■ | |
| 1.6 (D 16 XER) | Gasolina | FWD | 1598 | 85 | 116 | 06.12-12.19 | ■ | |
| 1.6 CDTi (B 16 DTN) | Diesel | FWD | 1598 | 81 | 110 | 06.15-12.19 | ■ | |
| 1.6 CDTi (B 16 DTN) | Diesel | FWD | 1598 | 81 | 110 | 06.15-12.19 | ■ | |
| 1.6 CDTi (B 16 DTU) | Diesel | FWD | 1598 | 81 | 110 | 06.15-12.19 | ■ | |
| 1.6 CDTi (B 16 DTU) | Diesel | FWD | 1598 | 81 | 110 | 06.15-12.19 | ■ | |
| 1.6 CDTi (A 16 DTH) | Diesel | FWD | 1598 | 100 | 136 | 01.15-12.19 | ■ | |
| 1.6 CDTi (A 16 DTH) | Diesel | FWD | 1598 | 100 | 136 | 01.15-12.19 | ■ | |
| 1.6 CDTi (B 16 DTH) | Diesel | FWD | 1598 | 100 | 136 | 01.15-12.19 | ■ | |
| 1.6 CDTi (B 16 DTH) | Diesel | FWD | 1598 | 100 | 136 | 01.15-12.19 | ■ | |
| 1.6 CDTi (D 16 DTH) | Diesel | FWD | 1598 | 100 | 136 | 01.15-12.19 | ■ | |
| 1.6 CDTi (D 16 DTH) | Diesel | FWD | 1598 | 100 | 136 | 01.15-12.19 | ■ | |
| 1.6 CDTi 4x4 (A 16 DTH) | Diesel | 4WD | 1598 | 100 | 136 | 01.15-12.19 | ■ | |
| 1.6 CDTi 4x4 (A 16 DTH) | Diesel | 4WD | 1598 | 100 | 136 | 01.15-12.19 | ■ | |
| 1.6 CDTi 4x4 (B 16 DTH) | Diesel | 4WD | 1598 | 100 | 136 | 01.15-12.19 | ■ | |
| 1.6 CDTi 4x4 (B 16 DTH) | Diesel | 4WD | 1598 | 100 | 136 | 01.15-12.19 | ■ | |
| 1.6 CDTi 4x4 (D 16 DTH) | Diesel | 4WD | 1598 | 100 | 136 | 01.15-12.19 | ■ | |
| 1.6 CDTi 4x4 (D 16 DTH) | Diesel | 4WD | 1598 | 100 | 136 | 01.15-12.19 | ■ | |
| 1.7 CDTi (A 17 DTS) | Diesel | FWD | 1686 | 96 | 131 | 06.12-12.19 | ■ | |
| 1.7 CDTi (A 17 DTS) | Diesel | FWD | 1686 | 96 | 131 | 06.12-12.19 | ■ | |
| 1.7 CDTi 4x4 (A 17 DTS) | Diesel | 4WD | 1686 | 96 | 131 | 06.12-12.19 | ■ | |
| 1.7 CDTi 4x4 (A 17 DTS) | Diesel | 4WD | 1686 | 96 | 131 | 06.12-12.19 | ■ | |