

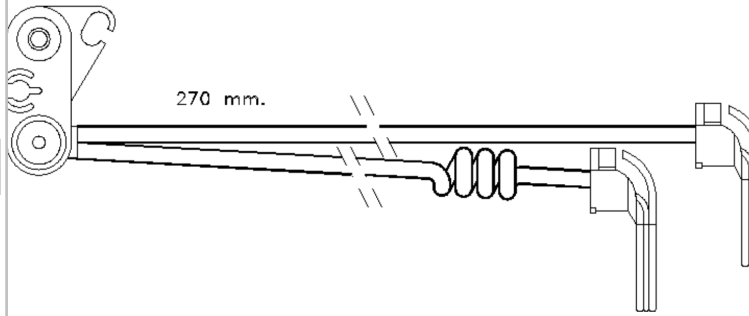
LISTA DE APLICACIONES - BUYERS GUIDE

610280 E C



Weight: 52

O.E.M.	MAKE
1 388 953	SCANIA



610280 E C



270 mm.

WVA
29087
29105
29106
29108
29109

MAKE
SCANIA



Trac.	CC	Kw	CV
-------	----	----	----



Front / Rear

SCANIA

06.04-10.05							Platform/Chassis		
P270 (DC 9.12)		Diesel		8867	198	270	09.04-05.19	■	■
P340 (DC 11.08)		Diesel		10640	250	340	09.04-05.19	■	■
T470 (DT 12.06)		Diesel		11705	345	470	06.04-10.05	■	■
06.04-05.19							Truck Tractor		
R340 (DC 11.08)		Diesel		10640	250	340	03.04-05.19	■	■
P380 (DC 11.09)		Diesel		10640	279	380	09.04-05.19	■	■
R380 (DC 11.09)		Diesel		10640	279	380	03.04-05.19	■	■
R500 (DC 16.04)		Diesel		15607	368	500	03.04-05.19	■	■
R500 (DC 16.19)		Diesel		15607	368	500	03.04-05.19	■	■
R580 (DC 16.03)		Diesel		15607	426	580	03.04-05.19	■	■
R620 (DC 16.08)		Diesel		15607	456	620	09.05-05.19	■	■
4 Series 05.95-							Dump Truck		
94 C/260 (DSC 9.12)		Diesel		8974	191	260	12.96-04.08	■	■
94 C/260 (DSC 9.12)		Diesel		8974	191	260	12.96-04.08	■	■
94 C/260 (DC 9.02)		Diesel		8974	191	260	12.96-04.08	■	■
94 C/260 (DSC 9.12)		Diesel		8974	191	260	12.96-04.08	■	■
94 C/260 (DSC 9.12)		Diesel		8974	191	260	12.96-04.08	■	■
94 C/260 (DSC 9.12)		Diesel		8974	191	260	12.96-04.08	■	■
T 94 C/260 (DSC 9.12)		Diesel		8974	191	260	12.96-04.08	■	■
94 C/310 (DSC 9.13)		Diesel		8974	228	310	08.96-04.08	■	■
94 C/310 (DSC 9.15)		Diesel		8974	228	310	08.96-04.08	■	■
94 C/310 (DSC 9.13)		Diesel		8974	228	310	08.96-04.08	■	■

LISTA DE APLICACIONES - BUYERS GUIDE

94 C/310 (DSC 9.15)		Diesel		8974	228	310	08.96-04.08	■	■
94 C/310 (DSC 9.13)		Diesel		8974	228	310	08.96-04.08	■	■
94 C/310 (DSC 9.15)		Diesel		8974	228	310	08.96-04.08	■	■
94 C/310 (DSC 9.13)		Diesel		8974	228	310	08.96-04.08	■	■
94 C/310 (DSC 9.15)		Diesel		8974	228	310	08.96-04.08	■	■
94 C/310 (DSC 9.13)		Diesel		8974	228	310	08.96-04.08	■	■
94 C/310 (DSC 9.15)		Diesel		8974	228	310	08.96-04.08	■	■
T 94 C/310 (DSC 9.13)		Diesel		8974	228	310	09.96-04.08	■	■
114 C/340 (DC 11.01)		Diesel		10640	250	340	03.98-04.08	■	■
114 C/340 (DC 11.03)		Diesel		10640	250	340	03.98-04.08	■	■
114 C/340 (DC 11.01)		Diesel		10640	250	340	03.98-04.08	■	■
114 C/340 (DC 11.03)		Diesel		10640	250	340	03.98-04.08	■	■
114 C/340 (DC 11.01)		Diesel		10640	250	340	03.98-04.08	■	■
114 C/340 (DC 11.03)		Diesel		10640	250	340	03.98-04.08	■	■
114 C/340 (DC 11.01)		Diesel		10640	250	340	03.98-04.08	■	■
114 C/340 (DC 11.03)		Diesel		10640	250	340	03.98-04.08	■	■
114 C/340 (DC 11.01)		Diesel		10640	250	340	03.98-04.08	■	■
114 C/340 (DC 11.03)		Diesel		10640	250	340	03.98-04.08	■	■
114 C/340 (DC 11.01)		Diesel		10640	250	340	03.98-04.08	■	■
114 C/340 (DC 11.03)		Diesel		10640	250	340	03.98-04.08	■	■
T 114 C/340 (DC 11.01)		Diesel		10640	250	340	03.98-04.08	■	■
T 114 C/340 (DC 11.03)		Diesel		10640	250	340	03.98-04.08	■	■
114 C/380 (DC 11.02)		Diesel		10640	280	381	03.98-04.08	■	■
114 C/380 (DC 11.02)		Diesel		10640	280	381	03.98-04.08	■	■
114 C/380 (DC 11.02)		Diesel		10640	280	381	03.98-04.08	■	■
114 C/380 (DC 11.02)		Diesel		10640	280	381	03.98-04.08	■	■
114 C/380 (DC 11.02)		Diesel		10640	280	381	03.98-04.08	■	■
114 C/380 (DC 11.04)		Diesel		10640	280	381	03.98-04.08	■	■
T 114 C/380 (DC 11.02)		Diesel		10640	280	380	03.98-04.08	■	■
114 C/340 (DSC 11.79)		Diesel		11020	250	340	05.96-04.08	■	■
114 C/340 (DSC 11.79)		Diesel		11020	250	340	05.96-04.08	■	■
114 C/340 (DSC 11.79)		Diesel		11020	250	340	05.96-04.08	■	■
114 C/340 (DSC 11.79)		Diesel		11020	250	340	05.96-04.08	■	■
114 C/340 (DSC 11.79)		Diesel		11020	250	340	05.96-04.08	■	■
124 C/360 (DSC 12.02)		Diesel		11705	265	360	09.96-04.08	■	■
124 C/360 (DSC 12.02)		Diesel		11705	265	360	09.96-04.08	■	■
124 C/360 (DSC 12.02)		Diesel		11705	265	360	09.96-04.08	■	■
124 C/360 (DSC 12.02)		Diesel		11705	265	360	09.96-04.08	■	■
124 C/360 (DSC 12.02)		Diesel		11705	265	360	09.96-04.08	■	■
T 124 C/360 (DSC 12.02)		Diesel		11705	265	360	09.95-04.08	■	■
124 C/400 (DSC 12.01)		Diesel		11705	294	400	09.96-04.08	■	■
124 C/400 (DSC 12.01)		Diesel		11705	294	400	09.96-04.08	■	■
124 C/400 (DSC 12.01)		Diesel		11705	294	400	09.96-04.08	■	■
124 C/400 (DSC 12.01)		Diesel		11705	294	400	09.96-04.08	■	■
124 C/400 (DSC 12.01)		Diesel		11705	294	400	09.96-04.08	■	■
T 124 C/400 (DSC 12.01)		Diesel		11705	294	400	05.96-04.08	■	■
T 124 C/420 (DC 12.01)		Diesel		11705	309	420	05.96-04.08	■	■
T 124 C/420 (DSC 12.05)		Diesel		11705	309	420	05.96-04.08	■	■
144 C/460 (DSC 14.15)		Diesel		14190	338	460	09.96-04.08	■	■
144 C/460 (DSC 14.15)		Diesel		14190	338	460	09.96-04.08	■	■
144 C/530 (DSC 14.13)		Diesel		14190	390	530	09.96-04.08	■	■
144 C/530 (DSC 14.13)		Diesel		14190	390	530	09.96-04.08	■	■
164 C/480 (DC 16.02)		Diesel		15607	353	480	05.00-04.08	■	■

LISTA DE APLICACIONES - BUYERS GUIDE

164 C/480 (DC 16.02)		Diesel		15607	353	480	05.00-04.08	■	■	
164 C/480 (DC 16.02)		Diesel		15607	353	480	05.00-04.08	■	■	
164 C/480 (DC 16.02)		Diesel		15607	353	480	05.00-04.08	■	■	
164 C/480 (DC 16.02)		Diesel		15607	353	480	05.00-04.08	■	■	
4 Series 05.95-							Platform/Chassis			
94 D/220 (DSC 9.11)		Diesel		8974	162	220	08.96-04.08	■	■	
94 D/220 (DSC 9.11)		Diesel		8974	162	220	08.96-04.08	■	■	
94 G/220 (DSC 9.11)		Diesel		8974	162	220	08.96-04.08	■	■	
94 G/220 (DSC 9.11)		Diesel		8974	162	220	01.98-04.08	■	■	
T 94 G/220 (DSC 9.11)		Diesel		8974	162	220	08.96-04.08	■	■	
T 94 G/220 (DSC 9.11)		Diesel		8974	162	220	08.96-04.08	■	■	
94 D/230 (DC 9.01)		Diesel		8974	169	230	08.99-04.08	■	■	
94 D/230 (DC 9.04)		Diesel		8974	169	230	08.99-04.08	■	■	
94 D/230 (DC 9.01)		Diesel		8974	169	230	08.99-04.08	■	■	
94 D/230 (DC 9.04)		Diesel		8974	169	230	08.99-04.08	■	■	
T 94 G/230 (DC 9.01)		Diesel		8974	169	230	04.99-04.08	■	■	
T 94 G/230 (DC 9.01)		Diesel		8974	169	230	04.99-04.08	■	■	
94 C/260 (DSC 9.12)		Diesel		8974	191	260	12.96-04.08	■	■	
94 C/260 (DSC 9.12)		Diesel		8974	191	260	12.96-04.08	■	■	
94 D/260 (DC 9.02)		Diesel		8974	191	260	08.96-04.08	■	■	
94 D/260 (DSC 9.12)		Diesel		8974	191	260	08.96-04.08	■	■	
94 D/260 (DSC 9.12)		Diesel		8974	191	260	08.96-04.08	■	■	
94 G/260 (DSC 9.12)		Diesel		8974	191	260	08.96-04.08	■	■	
94 G/260 (DSC 9.12)		Diesel		8974	191	260	01.98-04.08	■	■	
T 94 C/260 (DSC 9.12)		Diesel		8974	191	260	12.96-04.08	■	■	
T 94 C/260 (DSC 9.12)		Diesel		8974	191	260	12.96-04.08	■	■	
T 94 G/260 (DSC 9.12)		Diesel		8974	191	260	12.96-04.08	■	■	
T 94 G/260 (DSC 9.12)		Diesel		8974	191	260	12.96-04.08	■	■	
T 94 G/260 (DSC 9.12)		Diesel		8974	191	260	12.96-04.08	■	■	
T 94 G/260 (DSC 9.12)		Diesel		8974	191	260	12.96-04.08	■	■	
T 94 G/310 (DC 9.03)		Diesel		8974	221	300	12.96-04.08	■	■	
T 94 G/310 (DSC 9.13)		Diesel		8974	221	300	12.96-04.08	■	■	
T 94 G/310 (DSC 9.15)		Diesel		8974	221	300	12.96-04.08	■	■	
94 C/310 (DSC 9.13)		Diesel		8974	228	310	08.96-04.08	■	■	
94 C/310 (DSC 9.15)		Diesel		8974	228	310	08.96-04.08	■	■	
94 C/310 (DSC 9.13)		Diesel		8974	228	310	08.96-04.08	■	■	
94 C/310 (DSC 9.15)		Diesel		8974	228	310	08.96-04.08	■	■	
94 D/310 (DSC 9.13)		Diesel		8974	228	310	12.96-04.08	■	■	
94 D/310 (DSC 9.15)		Diesel		8974	228	310	12.96-04.08	■	■	
94 D/310 (DSC 9.13)		Diesel		8974	228	310	01.98-04.08	■	■	
94 D/310 (DSC 9.15)		Diesel		8974	228	310	01.98-04.08	■	■	
94 G/310 (DSC 9.13)		Diesel		8974	228	310	08.96-04.08	■	■	
94 G/310 (DSC 9.15)		Diesel		8974	228	310	08.96-04.08	■	■	
94 L/310 (DSC 9.13)		Diesel		8974	228	310	08.96-04.08	■	■	
94 L/310 (DSC 9.15)		Diesel		8974	228	310	08.96-04.08	■	■	
94 L/310 (DSC 9.13)		Diesel		8974	228	310	08.96-04.08	■	■	
94 L/310 (DSC 9.15)		Diesel		8974	228	310	08.96-04.08	■	■	
94 L/310 (DSC 9.13)		Diesel		8974	228	310	08.96-04.08	■	■	
94 L/310 (DSC 9.15)		Diesel		8974	228	310	08.96-04.08	■	■	
T 94 C/310 (DSC 9.13)		Diesel		8974	228	310	09.96-04.08	■	■	
T 94 C/310 (DSC 9.13)		Diesel		8974	228	310	09.96-04.08	■	■	
T 94 G/310 (DSC 9.13)		Diesel		8974	228	310	12.96-04.08	■	■	

LISTA DE APLICACIONES - BUYERS GUIDE

T 124 G/420 (DC 12.01)	01/97-	Diesel		11705	309	420	05.96-04.08	■	■
T 124 G/420 (DSC 12.05)	01/97-	Diesel		11705	309	420	05.96-04.08	■	■
144 C/460 (DSC 14.15)		Diesel		14190	338	460	09.96-04.08	■	■
144 C/460 (DSC 14.15)		Diesel		14190	338	460	09.96-04.08	■	■
144 G/460 (DSC 14.15)		Diesel		14190	338	460	04.96-04.08	■	■
144 G/460 (DSC 14.15)		Diesel		14190	338	460	04.96-04.08	■	■
144 G/460 (DSC 14.15)		Diesel		14190	338	460	04.96-04.08	■	■
144 G/460 (DSC 14.15)		Diesel		14190	338	460	04.96-04.08	■	■
144 G/460 (DSC 14.15)		Diesel		14190	338	460	04.96-04.08	■	■
144 L/460 (DSC 14.15)		Diesel		14190	338	460	11.95-04.08	■	■
144 L/460 (DSC 14.15)		Diesel		14190	338	460	11.95-04.08	■	■
T 144 C/460 (DSC 14.15)		Diesel		14190	338	460	09.95-04.08	■	■
T 144 C/460 (DSC 14.15)		Diesel		14190	338	460	09.95-04.08	■	■
T 144 G/460 (DSC 14.15)		Diesel		14190	338	460	03.97-04.08	■	■
T 144 G/460 (DSC 14.15)		Diesel		14190	338	460	03.97-04.08	■	■
144 C/530 (DSC 14.13)		Diesel		14190	390	530	09.96-04.08	■	■
144 C/530 (DSC 14.13)		Diesel		14190	390	530	09.96-04.08	■	■
144 G/530 (DSC 14.13)		Diesel		14190	390	530	04.96-04.08	■	■
144 G/530 (DSC 14.13)		Diesel		14190	390	530	04.96-04.08	■	■
144 G/530 (DSC 14.13)		Diesel		14190	390	530	04.96-04.08	■	■
144 G/530 (DSC 14.13)		Diesel		14190	390	530	04.96-04.08	■	■
144 G/530 (DSC 14.13)		Diesel		14190	390	530	04.96-04.08	■	■
144 L/530 (DSC 14.13)		Diesel		14190	390	530	11.95-04.08	■	■
144 L/530 (DSC 14.13)		Diesel		14190	390	530	11.95-04.08	■	■
T 144 C/530 (DSC 14.13)		Diesel		14190	390	530	09.95-04.08	■	■
T 144 C/530 (DSC 14.13)		Diesel		14190	390	530	09.95-04.08	■	■
T 144 G/530 (DSC 14.13)		Diesel		14190	390	530	03.97-04.08	■	■
T 144 G/530 (DSC 14.13)		Diesel		14190	390	530	03.97-04.08	■	■
T 144 G/530 (DSC 14.13)		Diesel		14190	390	530	03.97-04.08	■	■
144 L/460 (DSC 14.15)		Diesel		14200	338	460	11.95-04.08	■	■
144 L/530 (DSC 14.13)		Diesel		14200	390	530	11.95-04.08	■	■
164 C/480 (DC 16.02)		Diesel		15607	353	480	05.00-04.08	■	■
164 C/480 (DC 16.02)		Diesel		15607	353	480	05.00-04.08	■	■
164 C/480 (DC 16.02)		Diesel		15607	353	480	05.00-04.08	■	■
164 G/480 (DC 16.02)		Diesel		15607	353	480	05.00-04.08	■	■
164 G/480 (DC 16.02)		Diesel		15607	353	480	05.00-04.08	■	■
164 L/480 (DC 16.02)		Diesel		15607	353	480	05.00-04.08	■	■
164 L/480 (DC 16.02)		Diesel		15607	353	480	05.00-04.08	■	■
164 L/480 (DC 16.02)		Diesel		15607	353	480	05.00-04.08	■	■
164 C/580 (DC 16.01)		Diesel		15607	426	580	05.00-04.08	■	■
164 C/580 (DC 16.01)		Diesel		15607	426	580	05.00-04.08	■	■
164 G/580 (DC 16.01)		Diesel		15607	426	580	05.00-04.08	■	■
164 L/580 (DC 16.01)		Diesel		15607	426	580	05.00-04.08	■	■
164 L/580 (DC 16.01)		Diesel		15607	426	580	05.00-04.08	■	■
164 L/580 (DC 16.01)		Diesel		15607	426	580	05.00-04.08	■	■
4 Series 05.95-							Truck Tractor		
94 D/220 (DSC 9.11)		Diesel		8974	162	220	08.96-04.08	■	■
94 G/220 (DSC 9.11)		Diesel		8974	162	220	08.96-04.08	■	■
T 94 G/220 (DSC 9.11)		Diesel		8974	162	220	08.96-04.08	■	■
94 D/230 (DC 9.01)		Diesel		8974	169	230	08.99-04.08	■	■
94 D/230 (DC 9.04)		Diesel		8974	169	230	08.99-04.08	■	■

LISTA DE APLICACIONES - BUYERS GUIDE

T 94 G/230 (DC 9.01)		Diesel		8974	169	230	04.99-04.08	■	■
94 D/260 (DC 9.02)		Diesel		8974	191	260	08.96-04.08	■	■
94 D/260 (DSC 9.12)		Diesel		8974	191	260	08.96-04.08	■	■
94 G/260 (DSC 9.12)		Diesel		8974	191	260	08.96-04.08	■	■
T 94 G/260 (DSC 9.12)		Diesel		8974	191	260	12.96-04.08	■	■
94 C/310 (DSC 9.13)		Diesel		8974	228	310	08.96-04.08	■	■
94 C/310 (DSC 9.15)		Diesel		8974	228	310	08.96-04.08	■	■
94 D/310 (DSC 9.13)		Diesel		8974	228	310	12.96-04.08	■	■
94 D/310 (DSC 9.15)		Diesel		8974	228	310	12.96-04.08	■	■
94 G/310 (DSC 9.13)		Diesel		8974	228	310	08.96-04.08	■	■
94 G/310 (DSC 9.15)		Diesel		8974	228	310	08.96-04.08	■	■
94 L/310 (DSC 9.13)		Diesel		8974	228	310	08.96-04.08	■	■
94 L/310 (DSC 9.15)		Diesel		8974	228	310	08.96-04.08	■	■
94 L/310 (DSC 9.13)		Diesel		8974	228	310	08.96-04.08	■	■
94 L/310 (DSC 9.15)		Diesel		8974	228	310	08.96-04.08	■	■
T 94 C/310 (DSC 9.13)		Diesel		8974	228	310	09.96-04.08	■	■
T 94 G/310 (DSC 9.13)		Diesel		8974	228	310	12.96-04.08	■	■
T 94 G/310 (DSC 9.15)		Diesel		8974	228	310	12.96-04.08	■	■
T 94 L/310 (DSC 9.13)		Diesel		8974	228	310	09.96-04.08	■	■
T 94 L/310 (DSC 9.15)		Diesel		8974	228	310	09.96-04.08	■	■
114 C/340 (DC 11.01)		Diesel		10640	250	340	03.98-04.08	■	■
114 C/340 (DC 11.03)		Diesel		10640	250	340	03.98-04.08	■	■
114 C/340 (DC 11.01)		Diesel		10640	250	340	03.98-04.08	■	■
114 C/340 (DC 11.03)		Diesel		10640	250	340	03.98-04.08	■	■
114 G/340 (DC 11.01)		Diesel		10640	250	340	03.98-04.08	■	■
114 G/340 (DC 11.03)		Diesel		10640	250	340	03.98-04.08	■	■
114 G/340 (DC 11.01)		Diesel		10640	250	340	03.98-04.08	■	■
114 G/340 (DC 11.03)		Diesel		10640	250	340	03.98-04.08	■	■
114 G/340 (DC 11.01)		Diesel		10640	250	340	03.98-04.08	■	■
114 G/340 (DC 11.03)		Diesel		10640	250	340	03.98-04.08	■	■
114 L/340 (DC 11.01)		Diesel		10640	250	340	03.98-04.08	■	■
114 L/340 (DC 11.03)		Diesel		10640	250	340	03.98-04.08	■	■
114 L/340 (DC 11.01)		Diesel		10640	250	340	03.98-04.08	■	■
114 L/340 (DC 11.03)		Diesel		10640	250	340	03.98-04.08	■	■
114 L/340 (DC 11.01)		Diesel		10640	250	340	03.98-04.08	■	■
114 L/340 (DC 11.03)		Diesel		10640	250	340	03.98-04.08	■	■
T 114 C/340 (DC 11.01)		Diesel		10640	250	340	03.98-04.08	■	■
T 114 C/340 (DC 11.03)		Diesel		10640	250	340	03.98-04.08	■	■
T 114 G/340 (DC 11.01)		Diesel		10640	250	340	03.98-04.08	■	■
T 114 G/340 (DC 11.03)		Diesel		10640	250	340	03.98-04.08	■	■
T 114 G/340 (DC 11.01)		Diesel		10640	250	340	03.98-04.08	■	■
T 114 G/340 (DC 11.03)		Diesel		10640	250	340	03.98-04.08	■	■
T 114 L/340 (DC 11.01)		Diesel		10640	250	340	03.98-04.08	■	■
T 114 L/340 (DC 11.03)		Diesel		10640	250	340	03.98-04.08	■	■
T 114 L/340 (DC 11.01)		Diesel		10640	250	340	03.98-04.08	■	■
T 114 L/340 (DC 11.03)		Diesel		10640	250	340	03.98-04.08	■	■
114 G/380 (DC 11.02)		Diesel		10640	279	381	03.98-04.08	■	■
114 C/380 (DC 11.02)		Diesel		10640	280	381	03.98-04.08	■	■
114 C/380 (DC 11.02)		Diesel		10640	280	381	03.98-04.08	■	■
114 C/380 (DC 11.04)		Diesel		10640	280	381	03.98-04.08	■	■
114 G/380 (DC 11.02)		Diesel		10640	280	381	03.98-04.08	■	■

LISTA DE APLICACIONES - BUYERS GUIDE

T 124 C/400 (DSC 12.01)		Diesel		11705	294	400	05.96-04.08	■	■
T 124 C/400 (DSC 12.01)	01/97-	Diesel		11705	294	400	05.96-04.08	■	■
T 124 G/400 (DSC 12.01)		Diesel		11705	294	400	03.97-04.08	■	■
T 124 G/400 (DSC 12.01)		Diesel		11705	294	400	03.97-04.08	■	■
T 124 G/400 (DSC 12.01)		Diesel		11705	294	400	03.97-04.08	■	■
T 124 L/400 (DSC 12.01)		Diesel		11705	294	400	02.97-04.08	■	■
T 124 L/400 (DSC 12.01)		Diesel		11705	294	400	05.96-04.08	■	■
T 124 L/400 (DSC 12.01)		Diesel		11705	294	400	05.96-04.08	■	■
124 L/420 (DC 12.01)		Diesel		11705	308	420	09.97-04.08	■	■
124 L/420 (DC 12.03)		Diesel		11705	308	420	09.97-04.08	■	■
124 L/420 (DSC 12.05)		Diesel		11705	308	420	09.97-04.08	■	■
124 L/420 (DC 12.01)		Diesel		11705	309	420	09.97-04.08	■	■
124 L/420 (DSC 12.05)		Diesel		11705	309	420	09.97-04.08	■	■
124 L/420 (DSC 12.05)		Diesel		11705	309	420	09.97-04.08	■	■
T 124 C/420 (DC 12.01)		Diesel		11705	309	420	05.96-04.08	■	■
T 124 C/420 (DSC 12.05)		Diesel		11705	309	420	05.96-04.08	■	■
T 124 G/420 (DC 12.01)		Diesel		11705	309	420	09.97-04.08	■	■
T 124 G/420 (DSC 12.05)		Diesel		11705	309	420	09.97-04.08	■	■
T 124 G/420 (DC 12.01)		Diesel		11705	309	420	09.97-04.08	■	■
T 124 G/420 (DSC 12.05)		Diesel		11705	309	420	09.97-04.08	■	■
T 124 G/420 (DC 12.01)		Diesel		11705	309	420	09.97-04.08	■	■
T 124 G/420 (DSC 12.05)		Diesel		11705	309	420	09.97-04.08	■	■
T 124 L/420 (DC 12.01)		Diesel		11705	309	420	05.96-04.08	■	■
T 124 L/420 (DSC 12.05)		Diesel		11705	309	420	05.96-04.08	■	■
T 124 L/420 (DC 12.01)		Diesel		11705	309	420	09.97-04.08	■	■
T 124 L/420 (DSC 12.05)		Diesel		11705	309	420	09.97-04.08	■	■
T 124 L/420 (DC 12.01)		Diesel		11705	309	420	09.97-04.08	■	■
T 124 L/420 (DSC 12.05)		Diesel		11705	309	420	09.97-04.08	■	■
144 C/460 (DSC 14.15)		Diesel		14190	338	460	09.96-04.08	■	■
144 C/460 (DSC 14.15)		Diesel		14190	338	460	09.96-04.08	■	■
144 G/460 (DSC 14.15)		Diesel		14190	338	460	04.96-04.08	■	■
144 G/460 (DSC 14.15)		Diesel		14190	338	460	04.96-04.08	■	■
144 G/460 (DSC 14.15)		Diesel		14190	338	460	04.96-04.08	■	■
144 L/460 (DSC 14.15)		Diesel		14190	338	460	11.95-04.08	■	■
144 L/460 (DSC 14.15)		Diesel		14190	338	460	11.95-04.08	■	■
144 L/460 (DSC 14.15)		Diesel		14190	338	460	11.95-04.08	■	■
T 144 C/460 (DSC 14.15)		Diesel		14190	338	460	09.95-04.08	■	■
T 144 C/460 (DSC 14.15)		Diesel		14190	338	460	09.95-04.08	■	■
T 144 G/460 (DSC 14.15)		Diesel		14190	338	460	03.97-04.08	■	■
T 144 G/460 (DSC 14.15)		Diesel		14190	338	460	03.97-04.08	■	■
T 144 G/460 (DSC 14.15)		Diesel		14190	338	460	03.97-04.08	■	■
T 144 L/460 (DSC 14.15)		Diesel		14190	338	460	03.97-04.08	■	■
T 144 L/460 (DSC 14.15)		Diesel		14190	338	460	09.95-04.08	■	■
T 144 L/460 (DSC 14.15)		Diesel		14190	338	460	09.95-04.08	■	■
144 C/530 (DSC 14.13)		Diesel		14190	390	530	09.96-04.08	■	■
144 C/530 (DSC 14.13)		Diesel		14190	390	530	09.96-04.08	■	■
144 G/530 (DSC 14.13)		Diesel		14190	390	530	04.96-04.08	■	■
144 G/530 (DSC 14.13)		Diesel		14190	390	530	04.96-04.08	■	■
144 G/530 (DSC 14.13)		Diesel		14190	390	530	04.96-04.08	■	■
144 L/530 (DSC 14.13)		Diesel		14190	390	530	11.95-04.08	■	■
144 L/530 (DSC 14.13)		Diesel		14190	390	530	11.95-04.08	■	■

LISTA DE APLICACIONES - BUYERS GUIDE

144 L/530 (DSC 14.13)		Diesel		14190	390	530	11.95-04.08	■	■
T 144 C/530 (DSC 14.13)		Diesel		14190	390	530	09.95-04.08	■	■
T 144 C/530 (DSC 14.13)		Diesel		14190	390	530	09.95-04.08	■	■
T 144 G/530 (DSC 14.13)		Diesel		14190	390	530	03.97-04.08	■	■
T 144 G/530 (DSC 14.13)		Diesel		14190	390	530	03.97-04.08	■	■
T 144 G/530 (DSC 14.13)		Diesel		14190	390	530	03.97-04.08	■	■
T 144 L/530 (DSC 14.13)		Diesel		14190	390	530	03.97-04.08	■	■
T 144 L/530 (DSC 14.13)		Diesel		14190	390	530	09.95-04.08	■	■
T 144 L/530 (DSC 14.13)		Diesel		14190	390	530	09.95-04.08	■	■
164 C/480 (DC 16.02)		Diesel		15607	353	480	05.00-04.08	■	■
164 C/480 (DC 16.02)		Diesel		15607	353	480	05.00-04.08	■	■
164 C/480 (DC 16.02)		Diesel		15607	353	480	05.00-04.08	■	■
164 G/480 (DC 16.02)		Diesel		15607	353	480	05.00-04.08	■	■
164 L/480 (DC 16.02)		Diesel		15607	353	480	05.00-04.08	■	■
164 L/480 (DC 16.02)		Diesel		15607	353	480	05.00-04.08	■	■
164 L/480 (DC 16.02)		Diesel		15607	353	480	05.00-04.08	■	■
164 C/580 (DC 16.01)		Diesel		15607	426	580	05.00-04.08	■	■
164 C/580 (DC 16.01)		Diesel		15607	426	580	05.00-04.08	■	■
164 G/580 (DC 16.01)		Diesel		15607	426	580	05.00-04.08	■	■
164 G/580 (DC 16.01)		Diesel		15607	426	580	05.00-04.08	■	■
164 G/580 (DC 16.01)		Diesel		15607	426	580	05.00-04.08	■	■
164 L/580 (DC 16.01)		Diesel		15607	426	580	05.00-04.08	■	■
164 L/580 (DC 16.01)		Diesel		15607	426	580	05.00-04.08	■	■
P,G,R,T Series 01.03-								Platform/Chassis	
P 230, R 230 (DC 9.13)		Diesel		8867	169	230	09.04-	■	■
P 230, R 230 (DC 9.16)		Diesel		8867	169	230	09.04-	■	■
P 310, R 310 (DC 9.11)		Diesel		8867	228	310	09.04-	■	■
P 310, R 310 (DC 9.18)		Diesel		8867	228	310	09.04-	■	■
G 420, P 420, R 420 (DC 12.14)		Diesel		11716	309	420	09.04-	■	■
G 420, P 420, R 420 (DC 12.15)		Diesel		11716	309	420	09.04-	■	■
G 420, P 420, R 420 (DT 12.12)		Diesel		11716	309	420	09.04-	■	■
P,G,R,T Series 01.03-								Truck Tractor	
P 230, R 230 (DC 9.13)		Diesel		8867	169	230	09.04-	■	■
P 230, R 230 (DC 9.16)		Diesel		8867	169	230	09.04-	■	■
G 420, P 420, R 420 (DC 12.14)		Diesel		11716	309	420	03.04-	■	■
G 420, P 420, R 420 (DC 12.15)		Diesel		11716	309	420	03.04-	■	■
G 420, P 420, R 420 (DT 12.11)		Diesel		11716	309	420	03.04-	■	■
G 420, P 420, R 420 (DT 12.12)		Diesel		11716	309	420	03.04-	■	■
P 470, R 470 (DT 12.03)		Diesel		11716	345	470	03.04-	■	■
P 470, R 470 (DT 12.06)		Diesel		11716	345	470	03.04-	■	■