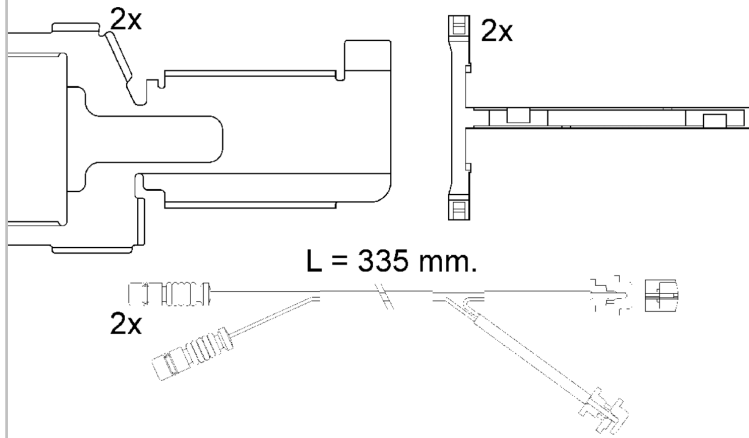


LISTA DE APLICACIONES - BUYERS GUIDE

610528 E C



Weight: 130



610528 E C



335 mm.

WVA
29278

MAKE
MERCEDES-BENZ



Trac.	CC	Kw	CV
-------	----	----	----



MERCEDES-BENZ

ACTROS 04.96-10.03

Concrete Mixer

Model	Trac.	CC	Kw	CV	Year	Front	Rear
2631B (OM 541.920)		11946	230	313	04.97-10.02	■	■
2631B (OM 541.940)		11946	230	313	04.97-10.02	■	■
3331 B (OM 541.920)		11946	230	313	04.97-10.02	■	■
3331 B (OM 541.940)		11946	230	313	04.97-10.02	■	■
2635 B (OM 541.922)		11946	260	354	04.97-10.02	■	■
2635 B (OM 541.942)		11946	260	354	04.97-10.02	■	■
3235 B (OM 541.922)		11946	260	354	04.97-10.02	■	■
3235 B (OM 541.942)		11946	260	354	04.97-10.02	■	■
3335 B (OM 541.922)		11946	260	354	04.97-10.02	■	■
3335 B (OM 541.942)		11946	260	354	04.97-10.02	■	■
2640 B (OM 541.923)		11946	290	394	04.97-10.02	■	■
2640 B (OM 541.944)		11946	290	394	04.97-10.02	■	■
3240 B (OM 541.923)		11946	290	394	04.97-10.02	■	■
3240 B (OM 541.944)		11946	290	394	04.97-10.02	■	■
3340 B (OM 541.923)		11946	290	394	04.97-10.02	■	■
3340 B (OM 541.944)		11946	290	394	04.97-10.02	■	■
3340 B (OM 541.923)		11946	290	394	04.97-10.02	■	■
4140 B (OM 541.923)		11946	290	394	04.97-10.02	■	■
4140 B (OM 541.944)		11946	290	394	04.97-10.02	■	■
2643 B (OM 541.925)		11946	315	428	04.97-10.02	■	■
2643 B (OM 541.946)		11946	315	428	04.97-10.02	■	■
3243 B (OM 541.925)		11946	315	428	04.97-10.02	■	■
3243 B (OM 541.946)		11946	315	428	04.97-10.02	■	■

LISTA DE APLICACIONES - BUYERS GUIDE

3343 B (OM 541.925)	Diesel	11946	315	428	04.97-10.02	■	■
2646 B (OM 541.948)	Diesel	11946	335	456	10.97-10.02	■	■
3246 B (OM 541.948)	Diesel	11946	335	456	10.97-10.02	■	■
ACTROS 04.96-10.03					Dump Truck		
1831AK (OM 541.926)	Diesel	11946	230	313	04.97-10.02	■	■
1831AK (OM 541.941)	Diesel	11946	230	313	04.97-10.02	■	■
1831K (OM 541.920)	Diesel	11946	230	313	04.97-10.02	■	■
1831K (OM 541.940)	Diesel	11946	230	313	04.97-10.02	■	■
2031 AK (OM 541.926)	Diesel	11946	230	313	09.96-10.02	■	■
2031 AK (OM 541.941)	Diesel	11946	230	313	09.96-10.02	■	■
2031 K (OM 541.920)	Diesel	11946	230	313	04.97-10.02	■	■
2031 K (OM 541.940)	Diesel	11946	230	313	04.97-10.02	■	■
2631 K (OM 541.920)	Diesel	11946	230	313	04.97-10.02	■	■
2631 K (OM 541.940)	Diesel	11946	230	313	04.97-10.02	■	■
3231 K (OM 541.920)	Diesel	11946	230	313	04.97-10.02	■	■
3231 K (OM 541.940)	Diesel	11946	230	313	04.97-10.02	■	■
3331 AK (OM 541.926)	Diesel	11946	230	313	04.97-10.02	■	■
3331 AK (OM 541.941)	Diesel	11946	230	313	04.97-10.02	■	■
3331 K (OM 541.920)	Diesel	11946	230	313	04.97-10.02	■	■
3331 K (OM 541.940)	Diesel	11946	230	313	04.97-10.02	■	■
1835 AK (OM 541.927)	Diesel	11946	260	354	04.97-10.02	■	■
1835 AK (OM 541.943)	Diesel	11946	260	354	04.97-10.02	■	■
1835 K (OM 541.922)	Diesel	11946	260	354	04.97-10.02	■	■
1835 K (OM 541.942)	Diesel	11946	260	354	04.97-10.02	■	■
2635 K, 2635 LK (OM 541.922)	Diesel	11946	260	354	04.97-10.02	■	■
2635 K, 2635 LK (OM 541.942)	Diesel	11946	260	354	04.97-10.02	■	■
3235K (OM 541.922)	Diesel	11946	260	354	04.97-10.02	■	■
3235K (OM 541.942)	Diesel	11946	260	354	04.97-10.02	■	■
3335 K (OM 541.922)	Diesel	11946	260	354	04.97-10.02	■	■
3335 K (OM 541.942)	Diesel	11946	260	354	04.97-10.02	■	■
1840 AK (OM 541.924)	Diesel	11946	290	394	04.97-10.02	■	■
1840 AK (OM 541.945)	Diesel	11946	290	394	04.97-10.02	■	■
1840 K (OM 541.923)	Diesel	11946	290	394	04.97-10.02	■	■
1840 K (OM 541.944)	Diesel	11946	290	394	04.97-10.02	■	■
2040 AK (OM 541.924)	Diesel	11946	290	394	09.96-10.02	■	■
2040 AK (OM 541.945)	Diesel	11946	290	394	09.96-10.02	■	■
2640 K, 2640 LK (OM 541.923)	Diesel	11946	290	394	04.97-10.02	■	■
2640 K, 2640 LK (OM 541.944)	Diesel	11946	290	394	04.97-10.02	■	■
3240 K (OM 541.923)	Diesel	11946	290	394	04.97-10.02	■	■
3240 K (OM 541.944)	Diesel	11946	290	394	04.97-10.02	■	■
3340 AK (OM 541.924)	Diesel	11946	290	394	04.97-10.02	■	■
3340 AK (OM 541.945)	Diesel	11946	290	394	04.97-10.02	■	■
3340 K (OM 541.923)	Diesel	11946	290	394	04.97-10.02	■	■
3340 K (OM 541.944)	Diesel	11946	290	394	04.97-10.02	■	■
4140 K (OM 541.923)	Diesel	11946	290	394	04.97-10.02		■
4140 K (OM 541.944)	Diesel	11946	290	394	04.97-10.02		■
1843 AK (OM 541.921)	Diesel	11946	315	428	04.97-10.02	■	■
1843 AK (OM 541.947)	Diesel	11946	315	428	04.97-10.02	■	■
1843 K (OM 541.925)	Diesel	11946	315	428	04.97-10.02	■	■
1843 K (OM 541.946)	Diesel	11946	315	428	04.97-10.02	■	■
2643 K, 2643 LK (OM 541.925)	Diesel	11946	315	428	04.97-10.02	■	■

LISTA DE APLICACIONES - BUYERS GUIDE

2643 K, 2643 LK (OM 541.946)		Diesel		11946	315	428	04.97-10.02	■	■
3243 K (OM 541.925)		Diesel		11946	315	428	04.97-10.02	■	■
3243 K (OM 541.946)		Diesel		11946	315	428	04.97-10.02	■	■
3343 AK (OM 541.921)		Diesel		11946	315	428	04.97-10.02	■	■
3343 AK (OM 541.947)		Diesel		11946	315	428	04.97-10.02	■	■
3343 K (OM 541.925)		Diesel		11946	315	428	04.97-10.02	■	■
3343 K (OM 541.946)		Diesel		11946	315	428	04.97-10.02	■	■
4143 K (OM 541.925)		Diesel		11946	315	428	04.97-10.02		■
4143 K (OM 541.946)		Diesel		11946	315	428	04.97-10.02		■
3246 K (OM 541.948)		Diesel		11946	335	456	10.97-10.02	■	■
3346 K (OM 541.948)		Diesel		11946	335	456	10.97-	■	■
4146 K (OM 541.948)		Diesel		11946	335	456	10.97-10.02		■
2648 K, 2648 LK (OM 541.948)		Diesel		11946	355	483	10.97-10.02	■	■
1848 AK (OM 542.925)		Diesel		15928	350	476	04.97-10.02	■	■
1848 K (OM 542.921)		Diesel		15928	350	476	04.97-10.02	■	■
1848 K (OM 542.940)		Diesel		15928	350	476	04.97-10.02	■	■
2648 K, 2648 LK (OM 542.921)		Diesel		15928	350	476	04.97-10.02	■	■
2648 K, 2648 LK (OM 542.940)		Diesel		15928	350	476	04.97-10.02	■	■
3348 AK (OM 542.925)		Diesel		15928	350	476	04.97-10.02	■	■
3348 K (OM 542.921)		Diesel		15928	350	476	04.97-10.02	■	■
3348 K (OM 542.940)		Diesel		15928	350	476	04.97-10.02	■	■
4148 K (OM 542.921)		Diesel		15928	350	476	04.97-10.02		■
3350 K (OM 542.940)		Diesel		15928	370	503	10.97-10.02	■	■
2653 K, 2653 LK (OM 542.920)		Diesel		15928	390	530	04.97-10.02	■	■
2653 K, 2653 LK (OM 542.942)		Diesel		15928	390	530	04.97-10.02	■	■
2657 K, 2657 LK (OM 542.922)		Diesel		15928	420	571	04.97-10.02	■	■
2657 K, 2657 LK (OM 542.944)		Diesel		15928	420	571	04.97-10.02	■	■
ACTROS 04.96-10.03							Platform/Chassis		
1831, 1831 L (OM 541.920)		Diesel		11946	230	313	04.96-10.02	■	■
2031 (OM 541.920)		Diesel		11946	230	313	04.97-10.02	■	■
2031A (OM 541.926)		Diesel		11946	230	313	04.97-10.02	■	■
2531, 2531 L (OM 541.920)		Diesel		11946	230	313	09.96-10.02	■	■
2531, 2531 L (OM 541.940)		Diesel		11946	230	313	09.96-10.02	■	■
2631, 2631 L (OM 541.920)		Diesel		11946	230	313	04.96-10.02	■	■
3331 (OM 541.920)		Diesel		11946	230	313	04.97-10.02	■	■
3331 A (OM 541.926)		Diesel		11946	230	313	04.97-10.02	■	■
1835, 1835 L (OM 541.922)		Diesel		11946	260	354	04.96-10.02	■	■
2035 A (OM 541.927)		Diesel		11946	260	354	04.97-10.02	■	■
2035 A (OM 541.943)		Diesel		11946	260	354	04.97-10.02	■	■
2535 L (OM 541.922)		Diesel		11946	260	354	09.96-10.02	■	■
2535 L (OM 541.942)		Diesel		11946	260	354	09.96-10.02	■	■
2635, 2635 L (OM 541.922)		Diesel		11946	260	354	04.96-10.02	■	■
3235 (OM 541.922)		Diesel		11946	260	354	04.97-10.02	■	■
3235 (OM 541.942)		Diesel		11946	260	354	04.97-10.02	■	■
3335 (OM 541.922)		Diesel		11946	260	354	04.97-10.02	■	■
1840, 1840 L (OM 541.923)		Diesel		11946	290	394	04.96-10.02	■	■
2040 (OM 541.923)		Diesel		11946	290	394	09.96-10.02	■	■
2540, 2540 L (OM 541.923)		Diesel		11946	290	394	09.96-10.02	■	■
2540, 2540 L (OM 541.944)		Diesel		11946	290	394	09.96-10.02	■	■
2640, 2640 L (OM 541.923)		Diesel		11946	290	394	04.96-10.02	■	■
3240 (OM 541.923)		Diesel		11946	290	394	04.97-10.02	■	■

LISTA DE APLICACIONES - BUYERS GUIDE

3240 (OM 541.944)		Diesel		11946	290	394	04.97-10.02	■	■
3340 (OM 541.923)		Diesel		11946	290	394	04.97-10.02	■	■
3340 A (OM 541.924)		Diesel		11946	290	394	04.97-10.02	■	■
1843, 1843 L (OM 541.925)		Diesel		11946	315	428	04.96-10.02	■	■
2543, 2543 L (OM 541.925)		Diesel		11946	315	428	09.96-10.02	■	■
2543, 2543 L (OM 541.946)		Diesel		11946	315	428	09.96-10.02	■	■
2643, 2643 L (OM 541.925)		Diesel		11946	315	428	04.96-10.02	■	■
3243 (OM 541.925)		Diesel		11946	315	428	04.97-10.02	■	■
3243 (OM 541.946)		Diesel		11946	315	428	04.97-10.02	■	■
3343 (OM 541.925)		Diesel		11946	315	428	04.97-10.02	■	■
3346 (OM 541.948)		Diesel		11946	335	456	04.97-10.02	■	■
1848, 1848 L (OM 542.921)		Diesel		15928	350	476	04.96-10.02	■	■
2548, 2548 L (OM 542.921)		Diesel		15928	350	476	09.96-10.02	■	■
2648, 2648 L (OM 542.921)		Diesel		15928	350	476	04.96-10.02	■	■
3348 (OM 542.921)		Diesel		15928	350	476	04.97-10.02	■	■
1853, 1853 L (OM 542.920)		Diesel		15928	390	530	04.96-10.02	■	■
2553, 2553 L (OM 542.920)		Diesel		15928	390	530	09.96-10.02	■	■
2653, 2653 L (OM 542.920)		Diesel		15928	390	530	04.96-10.02	■	■
3353 (OM 542.920)		Diesel		15928	390	530	04.97-10.02	■	■
3353 AS (OM 542.920)		Diesel		15928	390	530	04.97-10.02	■	■
3353 AS (OM 542.926)		Diesel		15928	390	530	04.97-10.02	■	■
3353 AS (OM 542.943)		Diesel		15928	390	530	04.97-10.02	■	■
1857 L (OM 542.922)		Diesel		15928	420	571	04.97-10.02	■	■
2557 L (OM 542.922)		Diesel		15928	420	571	09.96-10.02	■	■
2657 L (OM 542.922)		Diesel		15928	420	571	04.97-10.02	■	■
3357 (OM 542.922)		Diesel		15928	420	571	04.97-10.02	■	■
ACTROS 04.96-10.03								Truck Tractor	
1831 S, 1831 LS (OM 541.920)		Diesel		11946	230	313	04.96-10.02	■	■
1831 S, 1831 LS (OM 541.940)		Diesel		11946	230	313	04.96-10.02	■	■
2031AS (OM 541.926)		Diesel		11946	230	313	04.96-10.02	■	■
2031AS (OM 541.941)		Diesel		11946	230	313	04.96-10.02	■	■
2031S (OM 541.920)		Diesel		11946	230	313	04.96-10.02	■	■
2031S (OM 541.940)		Diesel		11946	230	313	04.96-10.02	■	■
2531 LS (OM 541.920)		Diesel		11946	230	313	09.96-10.02	■	■
2531 LS (OM 541.940)		Diesel		11946	230	313	09.96-10.02	■	■
3331 AS (OM 541.926)		Diesel		11946	230	313	04.97-10.02	■	■
3331 AS (OM 541.941)		Diesel		11946	230	313	04.97-10.02	■	■
3331 S (OM 541.920)		Diesel		11946	230	313	04.97-10.02	■	■
3331 S (OM 541.940)		Diesel		11946	230	313	04.97-10.02	■	■
1835 S, 1835 LS (OM 541.922)		Diesel		11946	260	354	04.96-10.02	■	■
1835 S, 1835 LS (OM 541.942)		Diesel		11946	260	354	04.96-10.02	■	■
2035 S (OM 541.922)		Diesel		11946	260	354	04.96-10.02	■	■
2035 S (OM 541.942)		Diesel		11946	260	354	04.96-10.02	■	■
2535 LS (OM 541.922)		Diesel		11946	260	354	09.96-10.02	■	■
2535 LS (OM 541.942)		Diesel		11946	260	354	09.96-10.02	■	■
3335 S (OM 541.922)		Diesel		11946	260	354	04.97-10.02	■	■
3336S (OM 541.942)		Diesel		11946	265	360	10.97-10.02	■	■
1840 S, 1840 LS (OM 541.923)		Diesel		11946	290	394	04.96-10.02	■	■
1840 S, 1840 LS (OM 541.944)		Diesel		11946	290	394	04.96-10.02	■	■
2040 AS (OM 541.924)		Diesel		11946	290	394	04.96-10.02	■	■
2040 AS (OM 541.945)		Diesel		11946	290	394	04.96-10.02	■	■

LISTA DE APLICACIONES - BUYERS GUIDE

2040 S (OM 541.923)	Diesel	11946	290	394	04.96-10.02	■	■
2040 S (OM 541.944)	Diesel	11946	290	394	04.96-10.02	■	■
2540 LS (OM 541.923)	Diesel	11946	290	394	09.96-10.02	■	■
2540 LS (OM 541.944)	Diesel	11946	290	394	09.96-10.02	■	■
2640 S, 2640 LS (OM 541.923)	Diesel	11946	290	394	09.96-10.02	■	■
2640 S, 2640 LS (OM 541.944)	Diesel	11946	290	394	09.96-10.02	■	■
3340 AS (OM 541.924)	Diesel	11946	290	394	04.97-10.02	■	■
3340 AS (OM 541.945)	Diesel	11946	290	394	04.97-10.02	■	■
3340 S (OM 541.923)	Diesel	11946	290	394	04.97-10.02	■	■
3341 S (OM 541.944)	Diesel	11946	300	408	10.97-10.02	■	■
1843 S, 1843 LS (OM 541.925)	Diesel	11946	315	428	04.96-10.02	■	■
1843 S, 1843 LS (OM 541.946)	Diesel	11946	315	428	04.96-10.02	■	■
2543 LS (OM 541.925)	Diesel	11946	315	428	09.96-10.02	■	■
2543 LS (OM 541.946)	Diesel	11946	315	428	09.96-10.02	■	■
2643 S, 2643 LS (OM 541.925)	Diesel	11946	315	428	04.97-10.02	■	■
2643 S, 2643 LS (OM 541.946)	Diesel	11946	315	428	04.97-10.02	■	■
3343 AS (OM 541.921)	Diesel	11946	315	428	04.97-10.02	■	■
3343 AS (OM 541.947)	Diesel	11946	315	428	04.97-10.02	■	■
3343 S (OM 541.925)	Diesel	11946	315	428	04.97-10.02	■	■
3343 S (OM 541.946)	Diesel	11946	315	428	04.97-10.02	■	■
1846 S, 1846 LS (OM 541.948)	Diesel	11946	335	456	10.98-10.02	■	■
2546 LS (OM 541.948)	Diesel	11946	335	456	10.97-10.02	■	■
2646 S, 2646 LS (OM 541.948)	Diesel	11946	335	456	10.97-10.02	■	■
3346 S (OM 541.948)	Diesel	11946	335	456	10.97-10.02	■	■
2648 S, 2648 LS (OM 541.948)	Diesel	11946	355	483	10.97-10.02	■	■
1848 S, 1848 LS (OM 542.921)	Diesel	15928	350	476	04.96-10.02	■	■
1848 S, 1848 LS (OM 542.940)	Diesel	15928	350	476	04.96-10.02	■	■
2548 LS (OM 542.921)	Diesel	15928	350	476	09.96-10.02	■	■
2548 LS (OM 542.940)	Diesel	15928	350	476	09.96-10.02	■	■
2648 S, 2648 LS (OM 542.921)	Diesel	15928	350	476	09.96-10.02	■	■
2648 S, 2648 LS (OM 542.940)	Diesel	15928	350	476	09.96-10.02	■	■
3348 AS (OM 542.925)	Diesel	15928	350	476	04.97-10.02	■	■
3348 S (OM 542.921)	Diesel	15928	350	476	04.97-10.02	■	■
2650 S, 2650 LS (OM 542.940)	Diesel	15928	370	503	10.97-10.02	■	■
3350 S (OM 542.940)	Diesel	15928	370	503	10.97-10.02	■	■
1853 S, 1853 LS (OM 542.920)	Diesel	15928	390	530	04.96-10.02	■	■
1853 S, 1853 LS (OM 542.942)	Diesel	15928	390	530	04.96-10.02	■	■
2053 S (OM 542.920)	Diesel	15928	390	530	04.96-10.02	■	■
2053 S (OM 542.942)	Diesel	15928	390	530	04.96-10.02	■	■
2553 LS (OM 542.920)	Diesel	15928	390	530	09.96-10.02	■	■
2553 LS (OM 542.942)	Diesel	15928	390	530	09.96-10.02	■	■
2653 S, 2653 LS (OM 542.920)	Diesel	15928	390	530	09.96-10.02	■	■
2653 S, 2653 LS (OM 542.942)	Diesel	15928	390	530	09.96-10.02	■	■
3353 S (OM 542.920)	Diesel	15928	390	530	04.97-10.02	■	■
3353 S (OM 542.942)	Diesel	15928	390	530	04.97-10.02	■	■
1857 LS (OM 542.922)	Diesel	15928	420	571	04.97-10.02	■	■
1857 LS (OM 542.944)	Diesel	15928	420	571	04.97-10.02	■	■
2657 S, 2657 LS (OM 542.922)	Diesel	15928	420	571	04.97-10.02	■	■
2657 S, 2657 LS (OM 542.944)	Diesel	15928	420	571	04.97-10.02	■	■
3357 S (OM 542.922)	Diesel	15928	420	571	04.97-10.02	■	■
3357 S (OM 542.944)	Diesel	15928	420	571	04.97-10.02	■	■

LISTA DE APLICACIONES - BUYERS GUIDE

ACTROS MP2 / MP3 10.02-				Concrete Mixer					
2631B (OM 541.920)		Diesel	11946	230	313	04.03-	■	■	
2631B (OM 541.940)		Diesel	11946	230	313	04.03-	■	■	
3231 B (OM 541.920)		Diesel	11946	230	313	04.03-	■	■	
3231 B (OM 541.940)		Diesel	11946	230	313	04.03-	■	■	
3331 B (OM 541.920)		Diesel	11946	230	313	04.03-	■	■	
3331 B (OM 541.940)		Diesel	11946	230	313	04.03-	■	■	
2632 B (OM 541.940)		Diesel	11946	235	320	04.03-	■	■	
2632 B (OM 541.970)		Diesel	11946	235	320	04.03-	■	■	
2632 B (OM 541.996)		Diesel	11946	235	320	04.03-	■	■	
3232 B (OM 541.970)		Diesel	11946	235	320	04.03-	■	■	
3232 B (OM 541.996)		Diesel	11946	235	320	04.03-	■	■	
3332 B (OM 541.940)		Diesel	11946	235	320	04.03-	■	■	
3332 B (OM 541.970)		Diesel	11946	235	320	04.03-	■	■	
3332 B (OM 541.996)		Diesel	11946	235	320	04.03-	■	■	
2635 B (OM 541.922)		Diesel	11946	260	354	04.03-	■	■	
2635 B (OM 541.942)		Diesel	11946	260	354	04.03-	■	■	
3235 B (OM 541.922)		Diesel	11946	260	354	04.03-	■	■	
3235 B (OM 541.942)		Diesel	11946	260	354	04.03-	■	■	
3335 B (OM 541.922)		Diesel	11946	260	354	04.03-	■	■	
3335 B (OM 541.942)		Diesel	11946	260	354	04.03-	■	■	
2636 B (OM 541.942)		Diesel	11946	265	360	04.03-	■	■	
2636 B (OM 541.972)		Diesel	11946	265	360	04.03-	■	■	
2636 B (OM 541.998)		Diesel	11946	265	360	04.03-	■	■	
3236 B (OM 541.972)		Diesel	11946	265	360	04.03-	■	■	
3236 B (OM 541.998)		Diesel	11946	265	360	04.03-	■	■	
3336 B (OM 541.942)		Diesel	11946	265	360	04.03-	■	■	
3336 B (OM 541.972)		Diesel	11946	265	360	04.03-	■	■	
3336 B (OM 541.998)		Diesel	11946	265	360	04.03-	■	■	
2640 B (OM 541.923)		Diesel	11946	290	394	04.03-	■	■	
2640 B (OM 541.944)		Diesel	11946	290	394	04.03-	■	■	
3240 B (OM 541.923)		Diesel	11946	290	394	04.03-	■	■	
3240 B (OM 541.944)		Diesel	11946	290	394	04.03-	■	■	
3339 B (OM 541.923)		Diesel	11946	290	394	04.03-	■	■	
3339 B (OM 541.944)		Diesel	11946	290	394	04.03-	■	■	
4140 B (OM 541.923)		Diesel	11946	290	394	04.03-	■	■	
4140 B (OM 541.944)		Diesel	11946	290	394	04.03-	■	■	
2641 B (OM 541.944)		Diesel	11946	300	408	04.03-	■	■	
2641 B (OM 541.974)		Diesel	11946	300	408	04.03-	■	■	
2641 B (OM 541.990)		Diesel	11946	300	408	04.03-	■	■	
3241 B (OM 541.974)		Diesel	11946	300	408	04.03-	■	■	
3241 B (OM 541.990)		Diesel	11946	300	408	04.03-	■	■	
3341 B (OM 541.944)		Diesel	11946	300	408	04.03-	■	■	
3341 B (OM 541.974)		Diesel	11946	300	408	04.03-	■	■	
3341 B (OM 541.990)		Diesel	11946	300	408	04.03-	■	■	
4141 B (OM 541.974)		Diesel	11946	300	408	04.03-	■	■	
4141 B (OM 541.990)		Diesel	11946	300	408	04.03-	■	■	
5041 B (OM 541.923)		Diesel	11946	300	408	06.08-	■	■	
5041 B (OM 541.944)		Diesel	11946	300	408	06.08-	■	■	
5041 B (OM 541.974)		Diesel	11946	300	408	06.08-	■	■	
5041 B (OM 541.990)		Diesel	11946	300	408	06.08-	■	■	

LISTA DE APLICACIONES - BUYERS GUIDE

2643 B (OM 541.925)		Diesel		11946	315	428	04.03-	■	■
2643 B (OM 541.946)		Diesel		11946	315	428	04.03-	■	■
3243 B (OM 541.925)		Diesel		11946	315	428	04.03-	■	■
3243 B (OM 541.946)		Diesel		11946	315	428	04.03-	■	■
3343 B (OM 541.925)		Diesel		11946	315	428	04.03-	■	■
3343 B (OM 541.946)		Diesel		11946	315	428	04.03-	■	■
4143 B (OM 541.925)		Diesel		11946	315	428	04.03-	■	■
4143 B (OM 541.946)		Diesel		11946	315	428	04.03-	■	■
2644 B (OM 541.946)		Diesel		11946	320	435	04.03-	■	■
2644 B (OM 541.976)		Diesel		11946	320	435	04.03-	■	■
2644 B (OM 541.992)		Diesel		11946	320	435	04.03-	■	■
3244 B (OM 541.976)		Diesel		11946	320	435	04.03-	■	■
3244 B (OM 541.992)		Diesel		11946	320	435	04.03-	■	■
3344 B (OM 541.976)		Diesel		11946	320	435	04.03-	■	■
3344 B (OM 541.992)		Diesel		11946	320	435	04.03-	■	■
4144 B (OM 541.946)		Diesel		11946	320	435	04.03-	■	■
4144 B (OM 541.976)		Diesel		11946	320	435	04.03-	■	■
4144 B (OM 541.992)		Diesel		11946	320	435	04.03-	■	■
5044 B (OM 541.946)		Diesel		11946	320	435	06.08-	■	■
5044 B (OM 541.976)		Diesel		11946	320	435	06.08-	■	■
5044 B (OM 541.992)		Diesel		11946	320	435	06.08-	■	■
2646 B (OM 541.948)		Diesel		11946	335	456	04.03-	■	■
2646 B (OM 541.980)		Diesel		11946	335	456	04.03-	■	■
2646 B (OM 541.994)		Diesel		11946	335	456	04.03-	■	■
3246 B (OM 541.948)		Diesel		11946	335	456	04.03-	■	■
3246 B (OM 541.980)		Diesel		11946	335	456	04.03-	■	■
3246 B (OM 541.994)		Diesel		11946	335	456	04.03-	■	■
3346 B (OM 541.948)		Diesel		11946	335	456	04.03-	■	■
3346 B (OM 541.980)		Diesel		11946	335	456	04.03-	■	■
3346 B (OM 541.994)		Diesel		11946	335	456	04.03-	■	■
4146 B (OM 541.948)		Diesel		11946	335	456	04.03-	■	■
4146 B (OM 541.980)		Diesel		11946	335	456	04.03-	■	■
4146 B (OM 541.994)		Diesel		11946	335	456	04.03-	■	■
5046 B (OM 541.948)		Diesel		11946	335	456	06.08-	■	■
5046 B (OM 541.980)		Diesel		11946	335	456	06.08-	■	■
5046 B (OM 541.994)		Diesel		11946	335	456	06.08-	■	■
2648 B (OM 541.948)		Diesel		11946	350	476	04.03-	■	■
2648 B (OM 541.978)		Diesel		11946	350	476	04.03-	■	■
3248 B (OM 541.978)		Diesel		11946	350	476	04.03-	■	■
3348 B (OM 541.948)		Diesel		11946	350	476	04.03-	■	■
3348 B (OM 541.978)		Diesel		11946	350	476	04.03-	■	■
4148 B (OM 541.978)		Diesel		11946	350	476	04.03-	■	■
ACTROS MP2 / MP3 10.02-							Dump Truck		
1831K (OM 541.920)		Diesel		11946	230	313	04.03-	■	■
1831K (OM 541.940)		Diesel		11946	230	313	04.03-	■	■
2032 AK (OM 541.920)		Diesel		11946	230	313	04.03-	■	■
2032 AK (OM 541.926)		Diesel		11946	230	313	04.03-	■	■
2032 AK (OM 541.940)		Diesel		11946	230	313	04.03-	■	■
2032 AK (OM 541.941)		Diesel		11946	230	313	04.03-	■	■
2032 AK (OM 541.997)		Diesel		11946	230	313	04.03-	■	■
2032 K (OM 541.920)		Diesel		11946	230	313	04.03-	■	■

LISTA DE APLICACIONES - BUYERS GUIDE

2032 K (OM 541.940)		Diesel		11946	230	313	04.03-	■	■
2032 K (OM 541.970)		Diesel		11946	230	313	04.03-	■	■
2032 K (OM 541.996)		Diesel		11946	230	313	04.03-	■	■
2631 K, LK (OM 541.920)		Diesel		11946	230	313	04.03-	■	■
2631 K, LK (OM 541.940)		Diesel		11946	230	313	04.03-	■	■
3231 K, 3232 K (OM 541.920)		Diesel		11946	230	313	04.03-	■	■
3231 K, 3232 K (OM 541.940)		Diesel		11946	230	313	04.03-	■	■
3231 K, 3232 K (OM 541.970)		Diesel		11946	230	313	04.03-	■	■
3231 K, 3232 K (OM 541.996)		Diesel		11946	230	313	04.03-	■	■
3331 K (OM 541.920)		Diesel		11946	230	313	04.03-	■	■
3331 K (OM 541.940)		Diesel		11946	230	313	04.03-	■	■
3332 K (OM 541.920)		Diesel		11946	230	313	04.03-	■	■
3332 K (OM 541.940)		Diesel		11946	230	313	04.03-	■	■
3332 K (OM 541.970)		Diesel		11946	230	313	04.03-	■	■
3332 K (OM 541.996)		Diesel		11946	230	313	04.03-	■	■
1832 AK (OM 541.940)		Diesel		11946	235	320	04.03-	■	■
1832 AK (OM 541.971)		Diesel		11946	235	320	04.03-	■	■
1832 AK (OM 541.997)		Diesel		11946	235	320	04.03-	■	■
1832 K (OM 541.940)		Diesel		11946	235	320	04.03-	■	■
1832 K (OM 541.970)		Diesel		11946	235	320	04.03-	■	■
1832 K (OM 541.996)		Diesel		11946	235	320	04.03-	■	■
2632 K, LK (OM 541.940)		Diesel		11946	235	320	04.03-	■	■
2632 K, LK (OM 541.970)		Diesel		11946	235	320	04.03-	■	■
2632 K, LK (OM 541.996)		Diesel		11946	235	320	04.03-	■	■
1835 K (OM 541.922)		Diesel		11946	260	354	04.03-	■	■
1835 K (OM 541.942)		Diesel		11946	260	354	04.03-	■	■
2036 K (OM 541.922)		Diesel		11946	260	354	04.03-	■	■
2036 K (OM 541.942)		Diesel		11946	260	354	04.03-	■	■
2036 K (OM 541.972)		Diesel		11946	260	354	04.03-	■	■
2036 K (OM 541.998)		Diesel		11946	260	354	04.03-	■	■
2635 K, LK (OM 541.922)		Diesel		11946	260	354	04.03-	■	■
2635 K, LK (OM 541.942)		Diesel		11946	260	354	04.03-	■	■
3235K (OM 541.922)		Diesel		11946	260	354	04.03-	■	■
3235K (OM 541.942)		Diesel		11946	260	354	04.03-	■	■
3335 K (OM 541.922)		Diesel		11946	260	354	04.03-	■	■
3336K (OM 541.942)		Diesel		11946	260	354	04.03-	■	■
1836 AK (OM 541.942)		Diesel		11946	265	360	04.03-	■	■
1836 AK (OM 541.999)		Diesel		11946	265	360	04.03-	■	■
1836 K (OM 541.942)		Diesel		11946	265	360	04.03-	■	■
1836 K (OM 541.972)		Diesel		11946	265	360	04.03-	■	■
1836 K (OM 541.998)		Diesel		11946	265	360	04.03-	■	■
2636 K, LK (OM 541.942)		Diesel		11946	265	360	04.03-	■	■
2636 K, LK (OM 541.972)		Diesel		11946	265	360	04.03-	■	■
2636 K, LK (OM 541.998)		Diesel		11946	265	360	04.03-	■	■
3236 K (OM 541.972)		Diesel		11946	265	360	04.03-	■	■
3236 K (OM 541.998)		Diesel		11946	265	360	04.03-	■	■
3336K (OM 541.942)		Diesel		11946	265	360	04.03-	■	■
3336K (OM 541.972)		Diesel		11946	265	360	04.03-	■	■
3336K (OM 541.998)		Diesel		11946	265	360	04.03-	■	■
1840 K (OM 541.923)		Diesel		11946	290	394	04.03-	■	■
1840 K (OM 541.944)		Diesel		11946	290	394	04.03-	■	■

LISTA DE APLICACIONES - BUYERS GUIDE

2041 AK (OM 541.924)		Diesel		11946	290	394	04.03-	■	■
2041 AK (OM 541.944)		Diesel		11946	290	394	04.03-	■	■
2041 AK (OM 541.945)		Diesel		11946	290	394	04.03-	■	■
2041 AK (OM 541.991)		Diesel		11946	290	394	04.03-	■	■
2041 K (OM 541.923)		Diesel		11946	290	394	04.03-	■	■
2041 K (OM 541.944)		Diesel		11946	290	394	04.03-	■	■
2041 K (OM 541.974)		Diesel		11946	290	394	04.03-	■	■
2041 K (OM 541.990)		Diesel		11946	290	394	04.03-	■	■
2640 K, LK (OM 541.923)		Diesel		11946	290	394	04.03-	■	■
2640 K, LK (OM 541.944)		Diesel		11946	290	394	04.03-	■	■
3240 K (OM 541.923)		Diesel		11946	290	394	04.03-	■	■
3240 K (OM 541.944)		Diesel		11946	290	394	04.03-	■	■
3339 K (OM 541.923)		Diesel		11946	290	394	04.03-	■	■
3339 K (OM 541.944)		Diesel		11946	290	394	04.03-	■	■
4140 K (OM 541.923)		Diesel		11946	290	394	04.03-	■	■
4140 K (OM 541.944)		Diesel		11946	290	394	04.03-	■	■
1841 K (OM 541.944)		Diesel		11946	300	408	04.03-	■	■
1841 K (OM 541.974)		Diesel		11946	300	408	04.03-	■	■
1841 K (OM 541.990)		Diesel		11946	300	408	04.03-	■	■
1841 L, LL (OM 541.944)		Diesel		11946	300	408	04.03-	■	■
1841 L, LL (OM 541.974)		Diesel		11946	300	408	04.03-	■	■
2641 K, LK (OM 541.944)		Diesel		11946	300	408	04.03-	■	■
2641 K, LK (OM 541.974)		Diesel		11946	300	408	04.03-	■	■
2641 K, LK (OM 541.990)		Diesel		11946	300	408	04.03-	■	■
3241 K (OM 541.974)		Diesel		11946	300	408	04.03-	■	■
3241 K (OM 541.990)		Diesel		11946	300	408	04.03-	■	■
3341 K (OM 541.974)		Diesel		11946	300	408	04.03-	■	■
3341 K (OM 541.990)		Diesel		11946	300	408	04.03-	■	■
4141 K (OM 541.974)		Diesel		11946	300	408	04.03-	■	■
4141 K (OM 541.990)		Diesel		11946	300	408	04.03-	■	■
5041 K (OM 541.923)		Diesel		11946	300	408	06.08-	■	■
5041 K (OM 541.944)		Diesel		11946	300	408	06.08-	■	■
5041 K (OM 541.974)		Diesel		11946	300	408	06.08-	■	■
5041 K (OM 541.990)		Diesel		11946	300	408	06.08-	■	■
1844 AK (OM 541.921)		Diesel		11946	315	428	04.03-	■	■
1844 AK (OM 541.946)		Diesel		11946	315	428	04.03-	■	■
1844 AK (OM 541.947)		Diesel		11946	315	428	04.03-	■	■
1844 AK (OM 541.993)		Diesel		11946	315	428	04.03-	■	■
1844 K (OM 541.925)		Diesel		11946	315	428	04.03-	■	■
1844 K (OM 541.946)		Diesel		11946	315	428	04.03-	■	■
1844 K (OM 541.976)		Diesel		11946	315	428	04.03-	■	■
1844 K (OM 541.992)		Diesel		11946	315	428	04.03-	■	■
2044 K (OM 541.925)		Diesel		11946	315	428	04.03-	■	■
2044 K (OM 541.946)		Diesel		11946	315	428	04.03-	■	■
2044 K (OM 541.976)		Diesel		11946	315	428	04.03-	■	■
2044 K (OM 541.992)		Diesel		11946	315	428	04.03-	■	■
2643 K, LK (OM 541.925)		Diesel		11946	315	428	04.03-	■	■
2643 K, LK (OM 541.946)		Diesel		11946	315	428	04.03-	■	■
3243 K (OM 541.925)		Diesel		11946	315	428	04.03-	■	■
3243 K (OM 541.946)		Diesel		11946	315	428	04.03-	■	■
3343 K (OM 541.925)		Diesel		11946	315	428	04.03-	■	■

LISTA DE APLICACIONES - BUYERS GUIDE

3343 K (OM 541.946)		Diesel		11946	315	428	04.03-	■	■
4144 K (OM 541.925)		Diesel		11946	315	428	04.03-	■	■
4144 K (OM 541.946)		Diesel		11946	315	428	04.03-	■	■
4144 K (OM 541.976)		Diesel		11946	315	428	04.03-	■	■
2644 K, LK (OM 541.946)		Diesel		11946	320	435	04.03-	■	■
2644 K, LK (OM 541.976)		Diesel		11946	320	435	04.03-	■	■
2644 K, LK (OM 541.992)		Diesel		11946	320	435	04.03-	■	■
3244 K (OM 541.976)		Diesel		11946	320	435	04.03-	■	■
3244 K (OM 541.992)		Diesel		11946	320	435	04.03-	■	■
3344 K (OM 541.976)		Diesel		11946	320	435	04.03-	■	■
3344 K (OM 541.992)		Diesel		11946	320	435	04.03-	■	■
4144 K (OM 541.976)		Diesel		11946	320	435	04.03-	■	■
4144 K (OM 541.992)		Diesel		11946	320	435	04.03-	■	■
5044 K (OM 541.946)		Diesel		11946	320	435	06.08-	■	■
5044 K (OM 541.976)		Diesel		11946	320	435	06.08-	■	■
5044 K (OM 541.992)		Diesel		11946	320	435	06.08-	■	■
1846 AK (OM 541.948)		Diesel		11946	335	456	04.03-	■	■
1846 AK (OM 541.949)		Diesel		11946	335	456	04.03-	■	■
1846 AK (OM 541.981)		Diesel		11946	335	456	04.03-	■	■
1846 AK (OM 541.995)		Diesel		11946	335	456	04.03-	■	■
1846 K (OM 541.948)		Diesel		11946	335	456	04.03-	■	■
1846 K (OM 541.980)		Diesel		11946	335	456	04.03-	■	■
1846 K (OM 541.994)		Diesel		11946	335	456	04.03-	■	■
2046 K (OM 541.948)		Diesel		11946	335	456	04.03-	■	■
2046 K (OM 541.980)		Diesel		11946	335	456	04.03-	■	■
2046 K (OM 541.994)		Diesel		11946	335	456	04.03-	■	■
2646 K, LK (OM 541.948)		Diesel		11946	335	456	04.03-	■	■
2646 K, LK (OM 541.980)		Diesel		11946	335	456	04.03-	■	■
2646 K, LK (OM 541.994)		Diesel		11946	335	456	04.03-	■	■
3246 K (OM 541.948)		Diesel		11946	335	456	04.03-	■	■
3246 K (OM 541.980)		Diesel		11946	335	456	04.03-	■	■
3246 K (OM 541.994)		Diesel		11946	335	456	04.03-	■	■
3346 K (OM 541.948)		Diesel		11946	335	456	04.03-	■	■
3346 K (OM 541.980)		Diesel		11946	335	456	04.03-	■	■
3346 K (OM 541.994)		Diesel		11946	335	456	04.03-	■	■
4146 K (OM 541.948)		Diesel		11946	335	456	04.03-	■	■
4146 K (OM 541.980)		Diesel		11946	335	456	04.03-	■	■
4146 K (OM 541.994)		Diesel		11946	335	456	04.03-	■	■
5046 K (OM 541.948)		Diesel		11946	335	456	06.08-	■	■
5046 K (OM 541.980)		Diesel		11946	335	456	06.08-	■	■
5046 K (OM 541.994)		Diesel		11946	335	456	06.08-	■	■
1848 K (OM 541.948)		Diesel		11946	350	476	04.03-	■	■
1848 K (OM 541.978)		Diesel		11946	350	476	04.03-	■	■
2048 K (OM 541.978)		Diesel		11946	350	476	04.03-	■	■
2648 K, LK (OM 541.948)		Diesel		11946	350	476	04.03-	■	■
2648 K, LK (OM 541.978)		Diesel		11946	350	476	04.03-	■	■
3248 K (OM 541.978)		Diesel		11946	350	476	04.03-	■	■
3348 K (OM 541.978)		Diesel		11946	350	476	04.03-	■	■
4148 K (OM 541.948)		Diesel		11946	350	476	04.03-	■	■
4148 K (OM 541.978)		Diesel		11946	350	476	04.03-	■	■
4148 K (OM 541.948)		Diesel		11946	350	476	04.03-	■	■

LISTA DE APLICACIONES - BUYERS GUIDE

1848 K (OM 542.921)	Diesel	15928	350	476	04.03-	■	■
1848 K (OM 542.940)	Diesel	15928	350	476	04.03-	■	■
2648 K, LK (OM 542.921)	Diesel	15928	350	476	04.03-	■	■
2648 K, LK (OM 542.940)	Diesel	15928	350	476	04.03-	■	■
3348 K (OM 542.921)	Diesel	15928	350	476	04.03-	■	■
4148 K (OM 542.921)	Diesel	15928	350	476	04.03-	■	■
1850, 1851 K (OM 542.940)	Diesel	15928	370	503	04.03-	■	■
1850, 1851 K (OM 542.960)	Diesel	15928	370	503	04.03-	■	■
1850 AK, 1851 AK (OM 542.940)	Diesel	15928	370	503	04.03-	■	■
1850 AK, 1851 AK (OM 542.941)	Diesel	15928	370	503	04.03-	■	■
1850 AK, 1851 AK (OM 542.960)	Diesel	15928	370	503	04.03-	■	■
1850 AK, 1851 AK (OM 542.961)	Diesel	15928	370	503	04.03-	■	■
2650 K, 2651 K, LK (OM 542.940)	Diesel	15928	370	503	04.03-	■	■
2650 K, 2651 K, LK (OM 542.960)	Diesel	15928	370	503	04.03-	■	■
3351 K (OM 542.940)	Diesel	15928	370	503	04.03-	■	■
3351 K (OM 542.960)	Diesel	15928	370	503	04.03-	■	■
4150 K (OM 542.940)	Diesel	15928	370	503	04.03-	■	■
4151 K (OM 542.960)	Diesel	15928	375	510	05.05-	■	■
2653 K, LK (OM 542.920)	Diesel	15928	390	530	04.03-	■	■
2653 K, LK (OM 542.942)	Diesel	15928	390	530	04.03-	■	■
2654 K, LK, 2655 K, LK (OM 542.942)	Diesel	15928	395	537	04.03-	■	■
2654 K, LK, 2655 K, LK (OM 542.962)	Diesel	15928	395	537	04.03-	■	■
4155 K (OM 542.962)	Diesel	15928	405	551	04.03-	■	■
2658 K, LK (OM 542.944)	Diesel	15928	425	578	04.03-	■	■
2660 LK (OM 542.964)	Diesel	15928	440	598	04.03-	■	■
4160 K (OM 542.964)	Diesel	15928	440	598	04.03-	■	■
ACTROS MP2 / MP3 10.02-						Platform/Chassis	
2032 (OM 541.920)	Diesel	11946	230	313	04.03-	■	■
2032 (OM 541.940)	Diesel	11946	230	313	04.03-	■	■
2032 A, AE (OM 541.926)	Diesel	11946	230	313	04.03-	■	■
2032 A, AE (OM 541.940)	Diesel	11946	230	313	04.03-	■	■
2032 A, AE (OM 541.941)	Diesel	11946	230	313	04.03-	■	■
2532, L, LL (OM 541.920)	Diesel	11946	230	312	04.03-	■	■
2532, L, LL (OM 541.940)	Diesel	11946	230	312	04.03-	■	■
2532, L, LL (OM 541.970)	Diesel	11946	230	312	04.03-	■	■
2532, L, LL (OM 541.996)	Diesel	11946	230	312	04.03-	■	■
2631 L (OM 541.920)	Diesel	11946	230	313	04.03-	■	■
2631 L (OM 541.940)	Diesel	11946	230	313	04.03-	■	■
3331, 3332 (OM 541.920)	Diesel	11946	230	313	04.03-	■	■
3331, 3332 (OM 541.940)	Diesel	11946	230	313	04.03-	■	■
1832, L, LL (OM 541.940)	Diesel	11946	235	320	04.03-	■	■
1832, L, LL (OM 541.970)	Diesel	11946	235	320	04.03-	■	■
2632, L, LL (OM 541.940)	Diesel	11946	235	320	04.03-	■	■
2632, L, LL (OM 541.970)	Diesel	11946	235	320	04.03-	■	■
2632, L, LL (OM 541.996)	Diesel	11946	235	320	04.03-	■	■
2036 (OM 541.922)	Diesel	11946	260	354	04.03-	■	■
2036 (OM 541.942)	Diesel	11946	260	354	04.03-	■	■
2036 A, AE (OM 541.927)	Diesel	11946	260	354	04.03-	■	■
2036 A, AE (OM 541.942)	Diesel	11946	260	354	04.03-	■	■
2036 A, AE (OM 541.943)	Diesel	11946	260	354	04.03-	■	■
2536, L, LL (OM 541.922)	Diesel	11946	260	354	04.03-	■	■

LISTA DE APLICACIONES - BUYERS GUIDE

2536, L, LL (OM 541.942)		Diesel		11946	260	354	04.03-	■	■
2536, L, LL (OM 541.943)		Diesel		11946	260	354	04.03-	■	■
2536, L, LL (OM 541.972)		Diesel		11946	260	354	04.03-	■	■
2536, L, LL (OM 541.998)		Diesel		11946	260	354	04.03-	■	■
2635 L (OM 541.922)		Diesel		11946	260	354	04.03-	■	■
2635 L (OM 541.942)		Diesel		11946	260	354	04.03-	■	■
1836, L, LL (OM 541.942)		Diesel		11946	265	360	04.03-	■	■
2636, L, LL (OM 541.942)		Diesel		11946	265	360	04.03-	■	■
2636, L, LL (OM 541.972)		Diesel		11946	265	360	04.03-	■	■
2636, L, LL (OM 541.998)		Diesel		11946	265	360	04.03-	■	■
3336 (OM 541.942)		Diesel		11946	265	360	04.03-	■	■
3336 (OM 541.972)		Diesel		11946	265	360	04.03-	■	■
2040 (OM 541.923)		Diesel		11946	290	394	10.02-	■	■
2040 (OM 541.944)		Diesel		11946	290	394	10.02-	■	■
2041 (OM 541.944)		Diesel		11946	290	394	04.03-	■	■
2041 (OM 541.974)		Diesel		11946	290	394	04.03-	■	■
2541, L, LL (OM 541.923)		Diesel		11946	290	394	04.03-	■	■
2541, L, LL (OM 541.944)		Diesel		11946	290	394	04.03-	■	■
2541, L, LL (OM 541.974)		Diesel		11946	290	394	04.03-	■	■
2541, L, LL (OM 541.990)		Diesel		11946	290	394	04.03-	■	■
2640 L (OM 541.923)		Diesel		11946	290	394	04.03-	■	■
2640 L (OM 541.944)		Diesel		11946	290	394	04.03-	■	■
3240 (OM 541.923)		Diesel		11946	290	394	04.03-	■	■
1841, L, LL (OM 541.944)		Diesel		11946	300	408	04.03-	■	■
1841, L, LL (OM 541.974)		Diesel		11946	300	408	04.03-	■	■
1841 A (OM 541.944)		Diesel		11946	300	408	10.02-	■	■
1841 A (OM 541.974)		Diesel		11946	300	408	10.02-	■	■
2641, L, LL (OM 541.944)		Diesel		11946	300	408	04.03-	■	■
2641, L, LL (OM 541.974)		Diesel		11946	300	408	04.03-	■	■
2641, L, LL (OM 541.990)		Diesel		11946	300	408	04.03-	■	■
3241 (OM 541.944)		Diesel		11946	300	408	04.03-	■	■
3241 (OM 541.974)		Diesel		11946	300	408	04.03-	■	■
3241 (OM 541.990)		Diesel		11946	300	408	04.03-	■	■
3241 L (OM 541.944)		Diesel		11946	300	408	06.08-	■	■
3241 L (OM 541.944)		Diesel		11946	300	408	06.08-	■	■
3341 (OM 541.944)		Diesel		11946	300	408	04.03-	■	■
3341 (OM 541.974)		Diesel		11946	300	408	04.03-	■	■
1844 A (OM 541.946)		Diesel		11946	315	428	04.03-	■	■
1844 A (OM 541.976)		Diesel		11946	315	428	04.03-	■	■
2044 (OM 541.946)		Diesel		11946	315	428	04.03-	■	■
2044 (OM 541.976)		Diesel		11946	315	428	04.03-	■	■
2544, L, LL (OM 541.925)		Diesel		11946	315	428	04.03-	■	■
2544, L, LL (OM 541.946)		Diesel		11946	315	428	04.03-	■	■
2544, L, LL (OM 541.976)		Diesel		11946	315	428	04.03-	■	■
2544, L, LL (OM 541.992)		Diesel		11946	315	428	04.03-	■	■
2643 L (OM 541.925)		Diesel		11946	315	428	04.03-	■	■
2643 L (OM 541.946)		Diesel		11946	315	428	04.03-	■	■
3243 (OM 541.925)		Diesel		11946	315	428	10.02-	■	■
3243 (OM 541.946)		Diesel		11946	315	428	10.02-	■	■
3344 (OM 541.946)		Diesel		11946	315	428	04.03-	■	■
3344 (OM 541.947)		Diesel		11946	315	428	04.03-	■	■

LISTA DE APLICACIONES - BUYERS GUIDE

1844, L, LL (OM 541.946)	Diesel	11946	320	435	04.03-	■	■
1844, L, LL (OM 541.976)	Diesel	11946	320	435	04.03-	■	■
2644, L, LL (OM 541.946)	Diesel	11946	320	435	04.03-	■	■
2644, L, LL (OM 541.976)	Diesel	11946	320	435	04.03-	■	■
2644, L, LL (OM 541.992)	Diesel	11946	320	435	04.03-	■	■
3244 (OM 541.976)	Diesel	11946	320	435	04.03-	■	■
3244 (OM 541.992)	Diesel	11946	320	435	04.03-	■	■
1846, L, LL (OM 541.948)	Diesel	11946	335	456	04.03-	■	■
1846, L, LL (OM 541.980)	Diesel	11946	335	456	04.03-	■	■
1846 A (OM 541.948)	Diesel	11946	335	455	04.03-	■	■
2046 (OM 541.948)	Diesel	11946	335	456	04.03-	■	■
2046 (OM 541.980)	Diesel	11946	335	456	04.03-	■	■
2546, L, LL (OM 541.948)	Diesel	11946	335	456	04.03-	■	■
2546, L, LL (OM 541.980)	Diesel	11946	335	456	04.03-	■	■
2546, L, LL (OM 541.994)	Diesel	11946	335	456	04.03-	■	■
2646, L, LL (OM 541.948)	Diesel	11946	335	456	04.03-	■	■
2646, L, LL (OM 541.980)	Diesel	11946	335	456	04.03-	■	■
2646, L, LL (OM 541.994)	Diesel	11946	335	456	04.03-	■	■
3246 (OM 541.948)	Diesel	11946	335	456	04.03-	■	■
3246 (OM 541.980)	Diesel	11946	335	456	04.03-	■	■
3346 (OM 541.948)	Diesel	11946	335	456	04.03-	■	■
1848, L, LL (OM 541.948)	Diesel	11946	350	476	04.03-	■	■
1848, L, LL (OM 541.978)	Diesel	11946	350	476	04.03-	■	■
1848 A (OM 541.978)	Diesel	11946	350	476	04.03-	■	■
2048 (OM 541.978)	Diesel	11946	350	476	06.08-	■	■
2548, L,LL (OM 541.948)	Diesel	11946	350	476	04.03-	■	■
2548, L,LL (OM 541.978)	Diesel	11946	350	476	04.03-	■	■
2648, L, LL (OM 541.948)	Diesel	11946	350	476	04.03-	■	■
2648, L, LL (OM 541.978)	Diesel	11946	350	476	04.03-	■	■
3248, L (OM 541.978)	Diesel	11946	350	476	04.03-	■	■
3348 (OM 541.978)	Diesel	11946	350	476	04.03-	■	■
1848, L, LL (OM 542.921)	Diesel	15928	350	476	04.03-	■	■
2548 L (OM 542.921)	Diesel	15928	350	476	04.03-	■	■
2548 L (OM 542.940)	Diesel	15928	350	476	04.03-	■	■
2648 L (OM 542.921)	Diesel	15928	350	476	04.03-	■	■
2648 L (OM 542.940)	Diesel	15928	350	476	04.03-	■	■
3348 (OM 542.921)	Diesel	15928	350	476	04.03-	■	■
1850, 1851, L, LL (OM 542.940)	Diesel	15928	370	503	04.03-	■	■
1850, 1851, L, LL (OM 542.960)	Diesel	15928	370	503	04.03-	■	■
2650, L, 2651,L, LL (OM 542.940)	Diesel	15928	370	503	04.03-	■	■
3350, 3351 (OM 542.940)	Diesel	15928	370	503	04.03-	■	■
3350, 3351 (OM 542.960)	Diesel	15928	370	503	04.03-	■	■
2551, L, LL (OM 542.960)	Diesel	15928	375	510	04.03-	■	■
2651 L (OM 542.960)	Diesel	15928	375	510	04.03-	■	■
2553 L (OM 542.920)	Diesel	15928	390	530	04.03-	■	■
2553 L (OM 542.942)	Diesel	15928	390	530	04.03-	■	■
2653 L (OM 542.920)	Diesel	15928	390	530	04.03-	■	■
1854, L (OM 542.942)	Diesel	15928	395	537	04.03-	■	■
1854, L (OM 542.962)	Diesel	15928	395	537	04.03-	■	■
2554, L (OM 542.942)	Diesel	15928	395	537	04.03-	■	■
2654, L, 2655, L, LL (OM 542.942)	Diesel	15928	395	537	04.03-	■	■

LISTA DE APLICACIONES - BUYERS GUIDE

2654, L, 2655, L, LL (OM 542.962)	Diesel	15928	395	537	04.03-	■	■
3354, 3355 (OM 542.942)	Diesel	15928	395	537	04.03-	■	■
3354, 3355 (OM 542.962)	Diesel	15928	395	537	04.03-	■	■
1855, L, LL (OM 542.962)	Diesel	15928	405	551	06.08-	■	■
2555, L, LL (OM 542.962)	Diesel	15928	405	551	04.03-	■	■
3255 L (OM 542.962)	Diesel	15928	405	551	02.09-	■	■
1858, L (OM 542.944)	Diesel	15928	425	578	04.03-	■	■
2558, L (OM 542.944)	Diesel	15928	425	578	04.03-	■	■
2658 L (OM 542.944)	Diesel	15928	425	578	04.03-	■	■
3358 (OM 542.944)	Diesel	15928	425	578	04.03-	■	■
1860 L, LL (OM 542.964)	Diesel	15928	440	598	05.05-	■	■
2560, L, LL (OM 542.964)	Diesel	15928	440	598	04.03-	■	■
2660 L, LL (OM 542.964)	Diesel	15928	440	598	05.05-	■	■
3260 L (OM 542.964)	Diesel	15928	440	598	02.09-	■	■
3360 (OM 542.964)	Diesel	15928	440	598	04.03-	■	■
ACTROS MP2 / MP3 10.02-						Truck Tractor	
2032 AS (OM 541.926)	Diesel	11946	230	313	04.03-	■	■
2032 AS (OM 541.941)	Diesel	11946	230	313	04.03-	■	■
2032 S (OM 541.920)	Diesel	11946	230	313	04.03-	■	■
2032 S (OM 541.940)	Diesel	11946	230	313	04.03-	■	■
2532 LS (OM 541.920)	Diesel	11946	230	313	04.03-	■	■
2532 LS (OM 541.940)	Diesel	11946	230	313	04.03-	■	■
2532 LS (OM 541.970)	Diesel	11946	230	313	04.03-	■	■
2631 LS (OM 541.920)	Diesel	11946	230	313	10.09-	■	■
2631 LS (OM 541.940)	Diesel	11946	230	313	10.09-	■	■
2631 LS (OM 541.920)	Diesel	11946	230	313	10.02-	■	■
3331 S, 3332 S (OM 541.920)	Diesel	11946	230	313	04.03-	■	■
3331 S, 3332 S (OM 541.940)	Diesel	11946	230	313	04.03-	■	■
3331 S, 3332 S (OM 541.970)	Diesel	11946	230	313	04.03-	■	■
1832, LS, LLS (OM 541.940)	Diesel	11946	235	320	04.03-	■	■
1832, LS, LLS (OM 541.970)	Diesel	11946	235	320	04.03-	■	■
2432 LS (OM 541.970)	Diesel	11946	235	319	06.08-	■	■
2432 LS (OM 541.996)	Diesel	11946	235	319	06.08-	■	■
2532 LS	Diesel	11946	235	320	06.08-	■	■
2632 LS (OM 541.940)	Diesel	11946	235	320	04.03-	■	■
2632 LS (OM 541.970)	Diesel	11946	235	320	04.03-	■	■
2632 LS (OM 541.996)	Diesel	11946	235	320	04.03-	■	■
2632 LS (OM 541.970)	Diesel	11946	235	320	10.09-	■	■
2632 LS (OM 541.996)	Diesel	11946	235	320	10.09-	■	■
2036 AS (OM 541.927)	Diesel	11946	260	354	04.03-	■	■
2036 AS (OM 541.943)	Diesel	11946	260	354	04.03-	■	■
2036 S (OM 541.942)	Diesel	11946	260	354	04.03-	■	■
2036 S (OM 541.972)	Diesel	11946	260	354	04.03-	■	■
2536 LS (OM 541.922)	Diesel	11946	260	353	04.03-	■	■
2536 LS (OM 541.942)	Diesel	11946	260	353	04.03-	■	■
2536 LS (OM 541.943)	Diesel	11946	260	353	04.03-	■	■
2536 LS (OM 541.972)	Diesel	11946	260	353	04.03-	■	■
2635 LS (OM 541.922)	Diesel	11946	260	354	10.09-	■	■
2635 LS (OM 541.942)	Diesel	11946	260	354	10.09-	■	■
2635 LS (OM 541.922)	Diesel	11946	260	354	10.02-	■	■
2635 LS (OM 541.942)	Diesel	11946	260	354	10.02-	■	■

LISTA DE APLICACIONES - BUYERS GUIDE

1836 LS, LLS (OM 541.942)		Diesel		11946	265	360	04.03-	■	■
2436 LS (OM 541.972)		Diesel		11946	265	360	06.08-	■	■
2436 LS (OM 541.998)		Diesel		11946	265	360	06.08-	■	■
2536 LS		Diesel		11946	265	360	06.08-	■	■
2636 LS (OM 541.942)		Diesel		11946	265	360	04.03-	■	■
2636 LS (OM 541.972)		Diesel		11946	265	360	04.03-	■	■
2636 LS (OM 541.998)		Diesel		11946	265	360	04.03-	■	■
2636 LS (OM 541.972)		Diesel		11946	265	360	10.09-	■	■
2636 LS (OM 541.998)		Diesel		11946	265	360	10.09-	■	■
3336S (OM 541.942)		Diesel		11946	265	360	04.03-	■	■
3336S (OM 541.972)		Diesel		11946	265	360	04.03-	■	■
2041 AS (OM 541.924)		Diesel		11946	290	394	04.03-	■	■
2041 S (OM 541.923)		Diesel		11946	290	394	04.03-	■	■
2041 S (OM 541.944)		Diesel		11946	290	394	04.03-	■	■
2041 S (OM 541.974)		Diesel		11946	290	394	04.03-	■	■
2541 LS (OM 541.923)		Diesel		11946	290	394	04.03-	■	■
2541 LS (OM 541.944)		Diesel		11946	290	394	04.03-	■	■
2640 LS (OM 541.923)		Diesel		11946	290	394	10.09-	■	■
2640 LS (OM 541.944)		Diesel		11946	290	394	10.09-	■	■
2640 LS (OM 541.944)		Diesel		11946	290	394	10.02-	■	■
1841 LS, LLS (OM 541.944)		Diesel		11946	300	408	04.03-	■	■
1841 LS, LLS (OM 541.974)		Diesel		11946	300	408	04.03-	■	■
2441 LS (OM 541.974)		Diesel		11946	300	408	06.08-	■	■
2441 LS (OM 541.990)		Diesel		11946	300	408	06.08-	■	■
2541 LS (OM 541.974)		Diesel		11946	300	408	06.08-	■	■
2641 LS (OM 541.974)		Diesel		11946	300	408	10.09-	■	■
2641 LS (OM 541.990)		Diesel		11946	300	408	10.09-	■	■
2641 S, LS (OM 541.944)		Diesel		11946	300	408	04.03-	■	■
2641 S, LS (OM 541.974)		Diesel		11946	300	408	04.03-	■	■
2641 S, LS (OM 541.990)		Diesel		11946	300	408	04.03-	■	■
3341 S (OM 541.923)		Diesel		11946	300	408	04.03-	■	■
3341 S (OM 541.944)		Diesel		11946	300	408	04.03-	■	■
3341 S (OM 541.974)		Diesel		11946	300	408	04.03-	■	■
2044 AS (OM 541.921)		Diesel		11946	315	428	04.03-	■	■
2044 AS (OM 541.947)		Diesel		11946	315	428	04.03-	■	■
2044 S (OM 541.925)		Diesel		11946	315	428	04.03-	■	■
2044 S (OM 541.946)		Diesel		11946	315	428	04.03-	■	■
2044 S (OM 541.976)		Diesel		11946	315	428	04.03-	■	■
2544 LS (OM 541.925)		Diesel		11946	315	428	04.03-	■	■
2544 LS (OM 541.946)		Diesel		11946	315	428	04.03-	■	■
2544 LS (OM 541.976)		Diesel		11946	315	428	04.03-	■	■
2643 LS (OM 541.925)		Diesel		11946	315	428	10.09-	■	■
2643 LS (OM 541.946)		Diesel		11946	315	428	10.09-	■	■
2643 LS (OM 541.976)		Diesel		11946	315	428	10.09-	■	■
2643 LS (OM 541.992)		Diesel		11946	315	428	10.09-	■	■
2644 S, LS (OM 541.925)		Diesel		11946	315	428	04.03-	■	■
2644 S, LS (OM 541.946)		Diesel		11946	315	428	04.03-	■	■
2644 S, LS (OM 541.976)		Diesel		11946	315	428	04.03-	■	■
2644 S, LS (OM 541.992)		Diesel		11946	315	428	04.03-	■	■
1844 LS, LLS (OM 541.946)		Diesel		11946	320	435	04.03-	■	■
1844 LS, LLS (OM 541.976)		Diesel		11946	320	435	04.03-	■	■

LISTA DE APLICACIONES - BUYERS GUIDE

2444 LS (OM 541.976)	Diesel	11946	320	435	06.08-	■	■
2444 LS (OM 541.992)	Diesel	11946	320	435	06.08-	■	■
2544 LS (OM 541.976)	Diesel	11946	320	435	06.08-	■	■
3344 S (OM 541.946)	Diesel	11946	320	435	04.03-	■	■
3344 S (OM 541.976)	Diesel	11946	320	435	04.03-	■	■
1846 LS, LLS (OM 541.948)	Diesel	11946	335	456	04.03-	■	■
1846 LS, LLS (OM 541.980)	Diesel	11946	335	456	04.03-	■	■
2046 S (OM 541.948)	Diesel	11946	335	456	04.03-	■	■
2046 S (OM 541.980)	Diesel	11946	335	456	04.03-	■	■
2446 LS (OM 541.980)	Diesel	11946	335	455	06.08-	■	■
2446 LS (OM 541.994)	Diesel	11946	335	455	06.08-	■	■
2546 LS (OM 541.948)	Diesel	11946	335	456	04.03-	■	■
2546 LS (OM 541.980)	Diesel	11946	335	456	04.03-	■	■
2546 LS	Diesel	11946	335	456	06.08-	■	■
2646 LS (OM 541.948)	Diesel	11946	335	456	10.09-	■	■
2646 LS (OM 541.994)	Diesel	11946	335	456	10.09-	■	■
2646 S, LS (OM 541.948)	Diesel	11946	335	456	04.03-	■	■
2646 S, LS (OM 541.980)	Diesel	11946	335	456	04.03-	■	■
2646 S, LS (OM 541.994)	Diesel	11946	335	456	04.03-	■	■
3346 S (OM 541.948)	Diesel	11946	335	456	04.03-	■	■
1848, LS, LLS (OM 541.948)	Diesel	11946	350	476	04.03-	■	■
1848, LS, LLS (OM 541.978)	Diesel	11946	350	476	04.03-	■	■
2048 S (OM 541.948)	Diesel	11946	350	476	06.08-	■	■
2048 S (OM 541.978)	Diesel	11946	350	476	06.08-	■	■
2448LS (OM 541.978)	Diesel	11946	350	476	06.08-	■	■
2548 LS (OM 541.948)	Diesel	11946	350	476	04.03-	■	■
2548 LS (OM 541.978)	Diesel	11946	350	476	04.03-	■	■
2548 LS	Diesel	11946	350	476	06.08-	■	■
2648 S, LS (OM 541.948)	Diesel	11946	350	476	04.03-	■	■
2648 S, LS (OM 541.978)	Diesel	11946	350	476	04.03-	■	■
3348 S (OM 541.948)	Diesel	11946	350	476	04.03-	■	■
2648 LS (OM 541.948)	Diesel	11946	355	483	10.09-	■	■
1848 S, LS (OM 542.921)	Diesel	15928	350	476	04.03-	■	■
2648 LS (OM 542.921)	Diesel	15928	350	476	10.02-	■	■
3348 S (OM 542.921)	Diesel	15928	350	476	04.03-	■	■
1850, 1851 LS, LLS (OM 542.940)	Diesel	15928	370	503	04.03-	■	■
1850, 1851 LS, LLS (OM 542.960)	Diesel	15928	370	503	04.03-	■	■
2050S (OM 542.940)	Diesel	15928	370	503	04.03-	■	■
2050S (OM 542.941)	Diesel	15928	370	503	04.03-	■	■
2550, LS (OM 542.940)	Diesel	15928	370	503	04.03-	■	■
2550 LS (OM 542.940)	Diesel	15928	370	503	04.03-	■	■
2650 S, LS (OM 542.940)	Diesel	15928	370	503	04.03-	■	■
3350 S (OM 542.940)	Diesel	15928	370	503	06.09-	■	■
3550S (OM 542.940)	Diesel	15928	370	503	06.09-	■	■
2051 S (OM 542.940)	Diesel	15928	375	510	06.08-	■	■
2051 S (OM 542.960)	Diesel	15928	375	510	06.08-	■	■
2451 LS (OM 542.960)	Diesel	15928	375	510	06.08-	■	■
2551 LS (OM 542.960)	Diesel	15928	375	510	04.03-	■	■
2651 LS (OM 542.960)	Diesel	15928	375	510	10.09-	■	■
2651 S, LS (OM 542.960)	Diesel	15928	375	510	04.03-	■	■
3351 S (OM 542.940)	Diesel	15928	375	510	04.03-	■	■

LISTA DE APLICACIONES - BUYERS GUIDE

3351 S (OM 542.960)		Diesel		15928	375	510	04.03-	■	■
2653 LS (OM 542.920)		Diesel		15928	390	530	10.09-	■	■
2653 LS (OM 542.942)		Diesel		15928	390	530	10.09-	■	■
2654 S, LS (OM 542.920)		Diesel		15928	390	530	04.03-	■	■
2654 S, LS (OM 542.942)		Diesel		15928	390	530	04.03-	■	■
1854 LS (OM 542.942)		Diesel		15928	395	537	04.03-	■	■
2054 S (OM 542.942)		Diesel		15928	395	537	04.03-	■	■
2554 LS (OM 542.942)		Diesel		15928	395	537	04.03-	■	■
1855 LS, LLS (OM 542.962)		Diesel		15928	405	551	06.08-	■	■
2055 S (OM 542.962)		Diesel		15928	405	551	06.08-	■	■
2455 LS (OM 542.962)		Diesel		15928	405	550	06.08-	■	■
2555 LS (OM 542.962)		Diesel		15928	405	551	09.05-	■	■
2655 LS (OM 542.962)		Diesel		15928	405	551	10.09-	■	■
2655 S, LS (OM 542.962)		Diesel		15928	405	551	04.03-	■	■
3355 S (OM 542.962)		Diesel		15928	405	551	04.03-	■	■
1858 LS (OM 542.944)		Diesel		15928	425	578	10.02-	■	■
2658 LS (OM 542.944)		Diesel		15928	425	578	04.03-	■	■
1860 LS (OM 542.964)		Diesel		15928	440	598	06.08-	■	■
2460 LS (OM 542.964)		Diesel		15928	440	598	06.08-	■	■
2660 S, LS (OM 542.964)		Diesel		15928	440	598	06.08-	■	■
1861 LS (OM 542.958)		Diesel		15928	450	612	05.05-	■	■
2665 LS (OM 542.968)		Diesel		15928	480	653	04.03-	■	■
ATEGO 01.98-10.04				Concrete Mixer					
2628B (OM 906.921)		Diesel		6374	205	279	04.98-10.04	■	■
ATEGO 01.98-10.04				Dump Truck					
1823 K (OM 906.920)		Diesel		6374	170	231	04.98-10.04	■	■
1828 K (OM 906.921)		Diesel		6374	205	279	04.98-10.04	■	■
2628K (OM 906.921)		Diesel		6374	205	279	04.98-10.04	■	■
ATEGO 01.98-10.04				Platform/Chassis					
1823, 1823 L (OM 906.920)		Diesel		6374	170	231	01.98-10.04	■	■
1823, 1823 L (OM 906.925)		Diesel		6374	170	231	01.98-10.04	■	■
2523 L (OM 906.920)		Diesel		6374	170	231	04.98-10.04	■	■
1828, 1828 L (OM 906.921)		Diesel		6374	205	279	04.98-10.04	■	■
1828, 1828 L (OM 906.926)		Diesel		6374	205	279	04.98-10.04	■	■
2528 L (OM 906.921)		Diesel		6374	205	279	04.98-10.04	■	■
2528 L (OM 906.926)		Diesel		6374	205	279	04.98-10.04	■	■
2628 (OM 906.921)		Diesel		6374	205	279	04.98-10.04	■	■
ATEGO 01.98-10.04				Truck Tractor					
1823 LS (OM 906.920)		Diesel		6374	170	231	04.98-10.04	■	■
1828 LS (OM 906.921)		Diesel		6374	205	279	04.98-10.04	■	■
ATEGO 2 01.04-				Platform/Chassis					
2529 L (OM 902.915)		Diesel		6374	210	286	10.04-	■	■
AXOR 09.01-12.05				Concrete Mixer					
2628B (OM 906.921)		Diesel		6374	205	279	01.02-10.04	■	
AXOR 09.01-12.05				Dump Truck					
1823 K (OM 906.920)		Diesel		6374	170	231	01.02-10.04	■	■
2523 K (OM 906.920)		Diesel		6374	170	231	01.02-10.04	■	■
2628K (OM 906.921)		Diesel		6374	205	279	01.02-10.04	■	

LISTA DE APLICACIONES - BUYERS GUIDE

AXOR 09.01-12.05					Platform/Chassis				
1823 (OM 906.920)		Diesel		6374	170	231	01.02-10.04	■	■
2523 (OM 906.920)		Diesel		6374	170	231	01.02-10.04	■	■
2623 L (OM 906.920)		Diesel		6374	170	231	01.02-10.04	■	■
2528 (OM 906.921)		Diesel		6374	205	279	01.02-10.04	■	■
2628 L (OM 906.921)		Diesel		6374	205	279	01.02-10.04	■	■
3228 C (OM 906.921)		Diesel		6374	205	279	01.02-10.04	■	■
AXOR 09.01-12.05					Truck Tractor				
1835 LS (OM 457.937)		Diesel		11967	260	354	01.02-10.04	■	■
2535 LS (OM 457.937)		Diesel		11967	260	354	01.02-10.04	■	■
2535 LS (OM 457.948)		Diesel		11967	260	354	01.02-10.04	■	■
1840LS (OM 457.937)		Diesel		11967	295	401	01.02-10.04	■	■
2540 LS (OM 457.937)		Diesel		11967	295	401	01.02-10.04	■	■
2540 LS (OM 457.948)		Diesel		11967	295	401	01.02-10.04	■	■
1843 LS (OM 457.937)		Diesel		11967	315	428	01.02-10.04	■	■
2543 LS (OM 457.937)		Diesel		11967	315	428	01.02-10.04	■	■
2543 LS (OM 457.948)		Diesel		11967	315	428	01.02-10.04	■	■
AXOR 2 10.04-					Concrete Mixer				
2628 B, 2629 B (OM 902.915)		Diesel		6374	205	279	10.04-	■	■
2628 B, 2629 B (OM 906.921)		Diesel		6374	205	279	10.04-	■	■
2628 B, 2629 B (OM 906.926)		Diesel		6374	205	279	10.04-	■	■
3028B (OM 906.921)		Diesel		6374	205	279	01.11-	■	■
2633 B (OM 926.913)		Diesel		7201	240	326	10.04-	■	■
2633 B (OM 926.919)		Diesel		7201	240	326	10.04-	■	■
2633 B (OM 926.945)		Diesel		7201	240	326	10.04-	■	■
2635 B (OM 457.956)		Diesel		11967	260	354	10.05-	■	■
2635 B (OM 457.957)		Diesel		11967	260	354	10.05-	■	■
2635 B (OM 457.980)		Diesel		11967	260	354	10.05-	■	■
2635 B (OM 457.981)		Diesel		11967	260	354	10.05-	■	■
3335 B (OM 457.956)		Diesel		11967	260	354	10.04-10.05	■	■
3335 B (OM 457.957)		Diesel		11967	260	354	10.04-10.05	■	■
4135 B (OM 457.956)		Diesel		11967	260	354	10.05-	■	■
4135 B (OM 457.957)		Diesel		11967	260	354	10.05-	■	■
2636 B (OM 457.937)		Diesel		11967	265	360	10.04-	■	■
2636 B (OM 457.948)		Diesel		11967	265	360	10.04-	■	■
3236 B (OM 457.956)		Diesel		11967	265	360	10.04-	■	■
3236 B (OM 457.957)		Diesel		11967	265	360	10.04-	■	■
3236 B (OM 457.980)		Diesel		11967	265	360	10.04-	■	■
3236 B (OM 457.981)		Diesel		11967	265	360	10.04-	■	■
2640 B (OM 457.956)		Diesel		11967	295	401	10.04-	■	■
2640 B (OM 457.957)		Diesel		11967	295	401	10.04-	■	■
2640 B (OM 457.980)		Diesel		11967	295	401	10.04-	■	■
2640 B (OM 457.981)		Diesel		11967	295	401	10.04-	■	■
3240 B (OM 457.956)		Diesel		11967	295	401	10.04-	■	■
3240 B (OM 457.957)		Diesel		11967	295	401	10.04-	■	■
3240 B (OM 457.980)		Diesel		11967	295	401	10.04-	■	■
3240 B (OM 457.981)		Diesel		11967	295	401	10.04-	■	■
3340 B (OM 457.956)		Diesel		11967	295	401	10.04-10.05	■	■
3340 B (OM 457.957)		Diesel		11967	295	401	10.04-10.05	■	■
4140 B (OM 457.956)		Diesel		11967	295	401	01.11-	■	■

LISTA DE APLICACIONES - BUYERS GUIDE

4140 B (OM 457.957)	Diesel		11967	295	401	01.11-	■	■	
2643 B (OM 457.956)	Diesel		11967	315	428	10.04-	■	■	
2643 B (OM 457.957)	Diesel		11967	315	428	10.04-	■	■	
2643 B (OM 457.980)	Diesel		11967	315	428	10.04-	■	■	
2643 B (OM 457.981)	Diesel		11967	315	428	10.04-	■	■	
3243 B (OM 457.956)	Diesel		11967	315	428	10.04-	■	■	
3243 B (OM 457.957)	Diesel		11967	315	428	10.04-	■	■	
3243 B (OM 457.980)	Diesel		11967	315	428	10.04-	■	■	
3243 B (OM 457.981)	Diesel		11967	315	428	10.04-	■	■	
3343 B (OM 457.956)	Diesel		11967	315	428	10.04-	■	■	
3343 B (OM 457.957)	Diesel		11967	315	428	10.04-	■	■	
4143 B (OM 457.956)	Diesel		11967	315	428	01.11-	■	■	
4143 B (OM 457.957)	Diesel		11967	315	428	01.11-	■	■	
AXOR 2 10.04-							Dump Truck		
1823 K, 1823 KL, 1824 K (OM 902.913)	Diesel		6374	170	231	10.04-	■	■	
1823 K, 1823 KL, 1824 K (OM 906.920)	Diesel		6374	170	231	10.04-	■	■	
1823 K, 1823 KL, 1824 K (OM 906.925)	Diesel		6374	170	231	10.04-	■	■	
1826 K (OM 902.914)	Diesel		6374	188	256	10.04-	■	■	
1828 K, 1828 KL, 1829 K (OM 902.915)	Diesel		6374	205	279	10.04-	■	■	
1828 K, 1828 KL, 1829 K (OM 906.921)	Diesel		6374	205	279	10.04-	■	■	
1828 K, 1828 KL, 1829 K (OM 906.926)	Diesel		6374	205	279	10.04-	■	■	
2528 K, 2528 KL (OM 906.921)	Diesel		6374	205	279	01.11-	■	■	
2628 K, 2629 K (OM 902.915)	Diesel		6374	205	279	10.04-	■	■	
2628 K, 2629 K (OM 906.921)	Diesel		6374	205	279	10.04-	■	■	
2628 K, 2629 K (OM 906.926)	Diesel		6374	205	279	10.04-	■	■	
3028K (OM 906.921)	Diesel		6374	205	279	01.11-	■	■	
1833 K (OM 926.913)	Diesel		7201	240	326	10.04-	■	■	
2633 K (OM 926.913)	Diesel		7201	240	326	10.04-	■	■	
2633 K (OM 926.919)	Diesel		7201	240	326	10.04-	■	■	
2633 K (OM 926.945)	Diesel		7201	240	326	10.04-	■	■	
3335 K (OM 457.956)	Diesel		11967	260	354	06.09-	■	■	
3335 K (OM 457.957)	Diesel		11967	260	354	06.09-	■	■	
4135 K (OM 457.956)	Diesel		11967	260	354	06.09-	■	■	
4135 K (OM 457.957)	Diesel		11967	260	354	06.09-	■	■	
2636K (OM 457.937)	Diesel		11967	265	360	10.04-	■	■	
2636K (OM 457.948)	Diesel		11967	265	360	10.04-	■	■	
2636K (OM 457.956)	Diesel		11967	265	360	10.04-	■	■	
2636K (OM 457.957)	Diesel		11967	265	360	10.04-	■	■	
2636K (OM 457.980)	Diesel		11967	265	360	10.04-	■	■	
2636K (OM 457.981)	Diesel		11967	265	360	10.04-	■	■	
3236 K (OM 457.956)	Diesel		11967	265	360	10.04-	■	■	
3236 K (OM 457.957)	Diesel		11967	265	360	10.04-	■	■	
3236 K (OM 457.980)	Diesel		11967	265	360	10.04-	■	■	
3236 K (OM 457.981)	Diesel		11967	265	360	10.04-	■	■	
2640 K (OM 457.956)	Diesel		11967	295	401	10.04-	■	■	
2640 K (OM 457.957)	Diesel		11967	295	401	10.04-	■	■	
2640 K (OM 457.980)	Diesel		11967	295	401	10.04-	■	■	
2640 K (OM 457.981)	Diesel		11967	295	401	10.04-	■	■	
3240 K (OM 457.956)	Diesel		11967	295	401	10.04-	■	■	
3240 K (OM 457.957)	Diesel		11967	295	401	10.04-	■	■	
3340 K, 3341 K (OM 457.910)	Diesel		11967	295	401	10.04-	■	■	

LISTA DE APLICACIONES - BUYERS GUIDE

3340 K, 3341 K (OM 457.917)	Diesel	11967	295	401	10.04-	■	■
3340 K, 3341 K (OM 457.918)	Diesel	11967	295	401	10.04-	■	■
3340 K, 3341 K (OM 457.937)	Diesel	11967	295	401	10.04-	■	■
3340 K, 3341 K (OM 457.956)	Diesel	11967	295	401	10.04-	■	■
3340 K, 3341 K (OM 457.957)	Diesel	11967	295	401	10.04-	■	■
4140 K (OM 457.956)	Diesel	11967	295	401	06.09-	■	■
4140 K (OM 457.957)	Diesel	11967	295	401	06.09-	■	■
2643 K (OM 457.956)	Diesel	11967	315	428	10.04-	■	■
2643 K (OM 457.957)	Diesel	11967	315	428	10.04-	■	■
2643 K (OM 457.980)	Diesel	11967	315	428	10.04-	■	■
2643 K (OM 457.981)	Diesel	11967	315	428	10.04-	■	■
3243 K (OM 457.956)	Diesel	11967	315	428	10.04-	■	■
3243 K (OM 457.957)	Diesel	11967	315	428	10.04-	■	■
3243 K (OM 457.980)	Diesel	11967	315	428	10.04-	■	■
3243 K (OM 457.981)	Diesel	11967	315	428	10.04-	■	■
3343 K (OM 457.910)	Diesel	11967	315	428	01.11-	■	■
3343 K (OM 457.917)	Diesel	11967	315	428	01.11-	■	■
3343 K (OM 457.918)	Diesel	11967	315	428	01.11-	■	■
3344 K (OM 457.910)	Diesel	11967	315	428	01.11-	■	■
3344 K (OM 457.917)	Diesel	11967	315	428	01.11-	■	■
3344 K (OM 457.918)	Diesel	11967	315	428	01.11-	■	■
3344 K (OM 457.956)	Diesel	11967	315	428	01.11-	■	■
3344 K (OM 457.957)	Diesel	11967	315	428	01.11-	■	■
4143 K (OM 457.956)	Diesel	11967	315	428	01.11-	■	■
4143 K (OM 457.957)	Diesel	11967	315	428	01.11-	■	■
4143 K (OM 457.956)	Diesel	11967	315	428	06.09-	■	■
4143 K (OM 457.957)	Diesel	11967	315	428	06.09-	■	■
AXOR 2 10.04-						Platform/Chassis	
1823, 1823 L, 1824, 1824 L, LL (OM 902.913)	Diesel	6374	170	231	10.04-	■	■
1823, 1823 L, 1824, 1824 L, LL (OM 906.920)	Diesel	6374	170	231	10.04-	■	■
2523 (OM 906.920)	Diesel	6374	170	231	01.11-	■	■
1826, 1826 L, LL (OM 902.914)	Diesel	6374	188	256	10.04-	■	■
1828, 1828 L, 1829, 1829 L, LL (OM 902.915)	Diesel	6374	205	279	10.04-	■	■
1828, 1828 L, 1829, 1829 L, LL (OM 906.921)	Diesel	6374	205	279	10.04-	■	■
1828, 1828 L, 1829, 1829 L, LL (OM 906.926)	Diesel	6374	205	279	10.04-	■	■
2528 L, 2529 L (OM 902.915)	Diesel	6374	205	279	10.04-	■	■
2528 L, 2529 L (OM 906.921)	Diesel	6374	205	279	10.04-	■	■
2528 L, 2529 L (OM 906.926)	Diesel	6374	205	279	10.04-	■	■
2628, 2629 (OM 902.915)	Diesel	6374	205	279	10.04-	■	■
2628, 2629 (OM 906.921)	Diesel	6374	205	279	10.04-	■	■
2628, 2629 (OM 906.926)	Diesel	6374	205	279	10.04-	■	■
2628, 2629 (OM 906.995)	Diesel	6374	205	279	10.04-	■	■
3228 (OM 906.921)	Diesel	6374	205	279	01.11-	■	■
1833, 1833 L, LL (OM 926.913)	Diesel	7201	240	326	10.04-	■	■
1933 (OM 926.921)	Diesel	7201	240	326	10.04-	■	■
1933 (OM 926.990)	Diesel	7201	240	326	10.04-	■	■
2533, 2533 L (OM 926.913)	Diesel	7201	240	326	10.04-	■	■
2533, 2533 L (OM 926.919)	Diesel	7201	240	326	10.04-	■	■
2533, 2533 L (OM 926.921)	Diesel	7201	240	326	10.04-	■	■
2533, 2533 L (OM 926.945)	Diesel	7201	240	326	10.04-	■	■
2533, 2533 L (OM 926.990)	Diesel	7201	240	326	10.04-	■	■

LISTA DE APLICACIONES - BUYERS GUIDE

2633 (OM 926.913)		Diesel		7201	240	326	10.04-	■	■
2633 (OM 926.919)		Diesel		7201	240	326	10.04-	■	■
2633 (OM 926.945)		Diesel		7201	240	326	10.04-	■	■
2535 L, 2536 L, 2536 LL (OM 457.937)		Diesel		11967	260	354	10.04-	■	■
2535 L, 2536 L, 2536 LL (OM 457.948)		Diesel		11967	260	354	10.04-	■	■
2535 L, 2536 L, 2536 LL (OM 457.980)		Diesel		11967	260	354	10.04-	■	■
3235 (OM 457.937)		Diesel		11967	260	354	10.04-	■	■
3235 (OM 457.948)		Diesel		11967	260	354	10.04-	■	■
3335 (OM 457.937)		Diesel		11967	260	354	10.04-	■	■
2636 (OM 457.937)		Diesel		11967	265	360	10.04-	■	■
2540 L, LL (OM 457.937)		Diesel		11967	295	401	10.04-	■	■
2540 L, LL (OM 457.948)		Diesel		11967	295	401	10.04-	■	■
2540 L, LL (OM 457.980)		Diesel		11967	295	401	10.04-	■	■
2640 (OM 457.937)		Diesel		11967	295	401	10.04-	■	■
3240 (OM 457.937)		Diesel		11967	295	401	03.05-	■	■
3240 (OM 457.948)		Diesel		11967	295	401	03.05-	■	■
3340, 3341 (OM 457.910)		Diesel		11967	295	401	10.04-	■	■
3340, 3341 (OM 457.917)		Diesel		11967	295	401	10.04-	■	■
3340, 3341 (OM 457.918)		Diesel		11967	295	401	10.04-	■	■
3340, 3341 (OM 457.937)		Diesel		11967	295	401	10.04-	■	■
2543 L, LL (OM 457.937)		Diesel		11967	315	428	10.04-	■	■
2543 L, LL (OM 457.948)		Diesel		11967	315	428	10.04-	■	■
2543 L, LL (OM 457.980)		Diesel		11967	315	428	10.04-	■	■
2643 (OM 457.937)		Diesel		11967	315	428	10.04-	■	■
3243 (OM 457.937)		Diesel		11967	315	428	10.04-	■	■
3243 (OM 457.948)		Diesel		11967	315	428	10.04-	■	■
3343 (OM 457.937)		Diesel		11967	315	428	10.04-	■	■
AXOR 2 10.04-								Truck Tractor	
1823 LS, 1824 LS (OM 902.913)		Diesel		6374	170	231	10.04-	■	■
1823 LS, 1824 LS (OM 906.920)		Diesel		6374	170	231	10.04-	■	■
1826 LS (OM 902.914)		Diesel		6374	188	256	10.04-	■	■
1828 LS (OM 906.921)		Diesel		6374	205	279	10.04-	■	■
1829 LS (OM 902.915)		Diesel		6374	210	286	10.04-	■	■
1833 LS (OM 926.913)		Diesel		7201	240	326	10.04-	■	■
1933 S (OM 926.921)		Diesel		7201	240	326	01.11-	■	■
1933 S (OM 926.990)		Diesel		7201	240	326	01.11-	■	■
1835 LS (OM 457.937)		Diesel		11967	260	354	01.11-	■	■
2035 S, 2036 S, LS (OM 457.910)		Diesel		11967	260	354	01.11-	■	■
2035 S, 2036 S, LS (OM 457.917)		Diesel		11967	260	354	01.11-	■	■
2035 S, 2036 S, LS (OM 457.918)		Diesel		11967	260	354	01.11-	■	■
2535 S, 2535 LS (OM 457.918)		Diesel		11967	260	354	10.04-	■	■
2535 S, 2535 LS (OM 457.981)		Diesel		11967	260	354	10.04-	■	■
3335 S (OM 457.962)		Diesel		11967	260	354	09.08-	■	■
1836 LS, LLS (OM 457.937)		Diesel		11967	265	360	10.04-	■	■
1836 LS, LLS (OM 457.948)		Diesel		11967	265	360	10.04-	■	■
1836 LS, LLS (OM 457.980)		Diesel		11967	265	360	10.04-	■	■
2436 LS, 2536 LS (OM 457.948)		Diesel		11967	265	360	10.04-	■	■
2436 LS, 2536 LS (OM 457.980)		Diesel		11967	265	360	10.04-	■	■
1840 LS, LLS (OM 457.937)		Diesel		11967	295	401	10.04-	■	■
1840 LS, LLS (OM 457.948)		Diesel		11967	295	401	10.04-	■	■
1840 LS, LLS (OM 457.955)		Diesel		11967	295	401	10.04-	■	■

LISTA DE APLICACIONES - BUYERS GUIDE

1840 LS, LLS (OM 457.980)		Diesel		11967	295	401	10.04-	■	■
2040 S, 2041 S, 2041 S, 2041 LS (OM 457.910)		Diesel		11967	295	401	01.11-	■	■
2040 S, 2041 S, 2041 S, 2041 LS (OM 457.917)		Diesel		11967	295	401	01.11-	■	■
2040 S, 2041 S, 2041 S, 2041 LS (OM 457.918)		Diesel		11967	295	401	01.11-	■	■
2440 LS, 2540 LS (OM 457.948)		Diesel		11967	295	401	10.04-	■	■
2440 LS, 2540 LS (OM 457.981)		Diesel		11967	295	401	10.04-	■	■
2540 S, 2541 S, LS (OM 457.918)		Diesel		11967	295	401	10.04-	■	■
2540 S, 2541 S, LS (OM 457.980)		Diesel		11967	295	401	10.04-	■	■
2640 S, 2641 S, LS (OM 457.918)		Diesel		11967	295	401	10.04-	■	■
3340 S, 3341 S (OM 457.910)		Diesel		11967	295	400	06.09-	■	■
3340 S, 3341 S (OM 457.917)		Diesel		11967	295	400	06.09-	■	■
3340 S, 3341 S (OM 457.918)		Diesel		11967	295	400	06.09-	■	■
3340 S, 3341 S (OM 457.962)		Diesel		11967	295	400	06.09-	■	■
1843 LS, LLS (OM 457.937)		Diesel		11967	315	428	10.04-	■	■
1843 LS, LLS (OM 457.948)		Diesel		11967	315	428	10.04-	■	■
1843 LS, LLS (OM 457.980)		Diesel		11967	315	428	10.04-	■	■
2044 S (OM 457.910)		Diesel		11967	315	428	01.11-	■	■
2044 S (OM 457.917)		Diesel		11967	315	428	01.11-	■	■
2044 S (OM 457.918)		Diesel		11967	315	428	01.11-	■	■
2443 LS, 2543 LS (OM 457.948)		Diesel		11967	315	428	10.04-	■	■
2443 LS, 2543 LS (OM 457.980)		Diesel		11967	315	428	10.04-	■	■
2543 S, 2543 LS (OM 457.980)		Diesel		11967	315	428	10.04-	■	■
2644 S, LS (OM 457.918)		Diesel		11967	315	428	10.04-	■	■
2644 S, LS (OM 457.937)		Diesel		11967	315	428	10.04-	■	■
2644 S, LS (OM 457.948)		Diesel		11967	315	428	10.04-	■	■
DCA							Air Suspension Unit		
DCA							01.53-	■	
DLS							Air Suspension Unit		
DLS 10Loch							01.53-	■	
DLS 8 Loch							01.53-	■	
ECONIC 01.98-							Municipal Vehicle		
1823 L, 1823 LL (OM 906.924)		Diesel		6374	170	231	03.98-	■	■
1823 L, 1823 LL (OM 906.940)		Diesel		6374	170	231	03.98-	■	■
1823 L, 1823 LL (OM 906.951)		Diesel		6374	170	231	03.98-	■	■
1824 L, 1824 LL (OM 902.933)		Diesel		6374	175	238	10.06-	■	■
2624 L (OM 902.933)		Diesel		6374	175	238	03.98-	■	■
1828 L, 1828 LL (OM 906.941)		Diesel		6374	205	279	03.98-	■	■
1828 L, 1828 LL (OM 906.952)		Diesel		6374	205	279	03.98-	■	■
2628 LL (OM 906.941)		Diesel		6374	205	279	03.98-	■	■
2628 LL (OM 906.952)		Diesel		6374	205	279	03.98-	■	■
2628 LL (OM 906.941)		Diesel		6374	205	279	01.98-	■	■
2628 LL (OM 906.952)		Diesel		6374	205	279	01.98-	■	■
1829 L, 1829 LL (OM 902.927)		Diesel		6374	210	286	10.06-	■	■
2629 L, 2629 LL (OM 902.927)		Diesel		6374	210	286	10.01-	■	■
2629 L, 2629 LL (OM 902.927)		Diesel		6374	210	286	10.01-	■	■
2633 LL		Diesel		6374	240	326	10.07-	■	■
1833 L, 1833 LL (OM 926.924)		Diesel		7201	240	326	10.06-	■	■
1833 L, 1833 LL (OM 926.934)		Diesel		7201	240	326	10.06-	■	■
2633 L (OM 926.921)		Diesel		7201	240	326	10.01-	■	■

LISTA DE APLICACIONES - BUYERS GUIDE

2633 L (OM 926.934)		Diesel		7201	240	326	10.01-	■	■
2633 L, 2633 LL (OM 926.924)		Diesel		7201	240	326	10.07-	■	■
2633 L, 2633 LL (OM 926.934)		Diesel		7201	240	326	10.07-	■	■
3233 L, 3233 LL (OM 926.934)		Diesel		7201	240	326	10.07-	■	■
ECONIC 01.98-				Municipal Vehicle					
1828 L (M 906.900)		Gasolina		6883	205	279	10.00-	■	■
1828 L, 1828 LL (M 902.900)		Gasolina		6883	205	279	10.06-	■	■
1828 L, 1828 LL (M 902.903)		Gasolina		6883	205	279	10.06-	■	■
1828 LLS		Gasolina		6883	205	279	10.00-	■	■
2628 L (M 902.900)		Gasolina		6883	205	279	10.00-	■	■
2628 L (M 902.903)		Gasolina		6883	205	279	10.00-	■	■
2628 L (M 906.900)		Gasolina		6883	205	279	10.01-	■	■
ECONIC 01.98-				Platform/Chassis					
2628 L (M 906.900)		Gasolina		6883	205	279	10.00-	■	■
ECONIC 01.98-				Truck Tractor					
1829 LS (OM 902.927)		Diesel		6374	210	286	10.07-	■	■
1833 LS (OM 926.934)		Diesel		7201	240	326	10.07-	■	■
ECONIC 01.98-				Truck Tractor					
1828 LS (M 902.903)		Gasolina		6883	205	279	10.04-	■	■
HL				Tractor Axle					
HL7/025DC-13							01.53-	■	
HO				Tractor Axle					
HO7/03DCL-12,3							01.53-	■	
INTOURO 01.05-				Bus					
Intouro, Intouro E, Intouro M, Intouro ME (OM 926.939)		Diesel		7201	210	286	01.05-	■	■
Intouro, Intouro E, Intouro M, Intouro ME (OM 457.965)		Diesel		11967	220	299	01.05-	■	■
Intouro, Intouro E, Intouro M, Intouro ME (OM 457.965)		Diesel		11967	260	354	01.05-	■	■
Intouro, Intouro E, Intouro M, Intouro ME (OM 457.965)		Diesel		11967	300	408	01.05-	■	■
O 350 TOURISMO (O 350) 09.94-				Bus					
Tourismo RHD, SHD (OM 441.980)		Diesel		10964	250	340	08.95-	■	■
Tourismo RHD, SHD (OM 445.934)		Diesel		10964	250	340	08.95-	■	■
Tourismo 15 RHD (OM 457.941)		Diesel		11967	185	252	01.03-	■	■
Tourismo 15 RHD (OM 457.941)		Diesel		11967	220	299	01.03-	■	■
Tourismo 15 RHD (OM 457.952)		Diesel		11967	220	299	01.03-	■	■
Tourismo 15 RHD (OM 457.965)		Diesel		11967	220	299	01.03-	■	■
Tourismo 16 RHD (OM 457.952)		Diesel		11967	220	299	01.03-	■	■
Tourismo 16 RHD (OM 457.965)		Diesel		11967	220	299	01.03-	■	■
Tourismo 15 RHD (OM 457.941)		Diesel		11967	260	354	01.03-	■	■
Tourismo 15 RHD (OM 457.953)		Diesel		11967	260	354	01.03-	■	■
Tourismo 15 RHD (OM 457.961)		Diesel		11967	260	354	01.03-	■	■
Tourismo 15 RHD (OM 457.965)		Diesel		11967	260	354	01.03-	■	■
Tourismo 15 SHD (OM 457.944)		Diesel		11967	260	354	01.03-	■	■
Tourismo 15 SHD (OM 457.953)		Diesel		11967	260	354	01.03-	■	■
Tourismo 16 RHD (OM 457.944)		Diesel		11967	260	354	01.03-	■	■
Tourismo 16 RHD (OM 457.952)		Diesel		11967	260	354	01.03-	■	■
Tourismo 16 RHD (OM 457.961)		Diesel		11967	260	354	01.03-	■	■
Tourismo 16 RHD (OM 457.965)		Diesel		11967	260	354	01.03-	■	■

LISTA DE APLICACIONES - BUYERS GUIDE

Tourismo 16 RHD (OM 457.944)		Diesel		11967	260	354	01.03-	■	■
Tourismo 16 RHD (OM 457.953)		Diesel		11967	260	354	01.03-	■	■
Tourismo 16 RHD (OM 457.961)		Diesel		11967	260	354	01.03-	■	■
Tourismo 17 RHD (OM 457.944)		Diesel		11967	260	354	01.03-	■	■
Tourismo 17 RHD (OM 457.953)		Diesel		11967	260	354	01.03-	■	■
Tourismo 17 RHD (OM 457.961)		Diesel		11967	260	354	01.03-	■	■
Tourismo RHD, SHD (OM 457.944)		Diesel		11967	260	354	09.03-	■	■
Tourismo 15 RHD (OM 457.952)		Diesel		11967	300	408	01.03-	■	■
Tourismo 15 RHD (OM 457.965)		Diesel		11967	300	408	01.03-	■	■
Tourismo 15 SHD (OM 457.944)		Diesel		11967	310	422	01.03-	■	■
Tourismo 16 RHD (OM 457.944)		Diesel		11967	310	422	01.03-	■	■
Tourismo 16 RHD (OM 457.953)		Diesel		11967	310	422	01.03-	■	■
Tourismo 17 RHD (OM 457.944)		Diesel		11967	310	422	01.03-	■	■
Tourismo RHD, SHD (OM 457.944)		Diesel		11967	310	422	09.03-	■	■
Tourismo 16 RHD (OM 457.953)		Diesel		11967	315	428	01.03-	■	■
Tourismo 16 RHD (OM 457.961)		Diesel		11967	315	428	01.03-	■	■
Tourismo 17 RHD (OM 457.953)		Diesel		11967	315	428	01.03-	■	■
Tourismo 17 RHD (OM 457.961)		Diesel		11967	315	428	01.03-	■	■
Tourismo 15 RHD (OM 457.961)		Diesel		11967	335	456	01.03-	■	■
Tourismo 16 RHD (OM 457.961)		Diesel		11967	335	456	01.03-	■	■
Tourismo 17 RHD (OM 457.961)		Diesel		11967	335	456	01.03-	■	■
Tourismo 17 RHD (OM 542.948)		Diesel		15928	320	435	01.03-	■	■
Tourismo 16 RHD (OM 542.966)		Diesel		15928	350	476	01.03-	■	■
Tourismo 17 RHD (OM 542.948)		Diesel		15928	350	476	01.03-	■	■
Tourismo 17 RHD (OM 542.966)		Diesel		15928	350	476	01.03-	■	■
Tourismo 16 RHD (OM 542.966)		Diesel		15928	370	503	01.03-	■	■
Tourismo 17 RHD (OM 542.948)		Diesel		15928	370	503	01.03-	■	■
Tourismo 17 RHD (OM 542.966)		Diesel		15928	370	503	01.03-	■	■
O 403 01.95-12.06								Bus	
O 403 SHD (OM 457.944)		Diesel		11967	260	354	09.03-	■	■
O 403 SHD (OM 457.944)		Diesel		11967	310	422	09.03-	■	■
O 500 TOURO (O 500) 01.96-								Bus	
O 500 M (OM 906.918)		Diesel		6374	180	245	01.01-	■	■
O 500 M (OM 906.975)		Diesel		6374	180	245	01.01-	■	■
O 500 M (OM 906.983)		Diesel		6374	180	245	01.01-	■	■
O 500 M (OM 906.988)		Diesel		6374	180	245	01.01-	■	■
O 500 U (OM 926.926)		Diesel		7201	225	306	01.01-	■	■
O 500 R (OM 926.910)		Diesel		7201	240	326	01.01-	■	■
O 500 GL, GLE (OM 457.915)		Diesel		11967	265	360	01.01-	■	■
O 500 RSD (OM 457.916)		Diesel		11967	265	360	01.01-	■	■
O 500 RSD (OM 457.932)		Diesel		11967	265	360	01.01-	■	■
O 500 RSD (OM 457.927)		Diesel		11967	295	401	01.01-	■	■
O 520 CITO (O 520) 09.98-								Bus	
130 kW (OM 904.942)		Diesel		4249	130	177	06.99-	■	■
O 530 CITARO (O 530) 01.98-								Bus	
Citaro N (OM 906.931)		Diesel		6374	170	231	01.98-	■	■
Citaro N (OM 909.900)		Diesel		6374	170	231	01.98-	■	■
Citaro N (OM 909.911)		Diesel		6374	170	231	01.98-	■	■
Citaro N (OM 906.962)		Diesel		6374	180	245	04.99-	■	■
Citaro N (OM 906.963)		Diesel		6374	180	245	04.99-	■	■

LISTA DE APLICACIONES - BUYERS GUIDE

Citaro G		Diesel		6374	185	252	01.98-	■	■
Citaro G (OM 906.930)		Diesel		6374	205	279	01.99-	■	■
Citaro G (OM 906.960)		Diesel		6374	205	279	01.99-	■	■
Citaro G (OM 906.961)		Diesel		6374	205	279	01.99-	■	■
Citaro G (OM 909.901)		Diesel		6374	205	279	01.99-	■	■
Citaro G (OM 909.921)		Diesel		6374	205	279	01.99-	■	■
Citaro N (OM 906.930)		Diesel		6374	205	279	01.98-	■	■
Citaro N (OM 906.960)		Diesel		6374	205	279	01.98-	■	■
Citaro N (OM 906.961)		Diesel		6374	205	279	01.98-	■	■
Citaro N (OM 909.901)		Diesel		6374	205	279	01.98-	■	■
Citaro N (OM 909.921)		Diesel		6374	205	279	01.98-	■	■
Citaro N (OM 906.930)		Diesel		6374	205	279	01.99-	■	■
Citaro N (OM 906.960)		Diesel		6374	205	279	01.99-	■	■
Citaro N (OM 909.901)		Diesel		6374	205	279	01.99-	■	■
Citaro N (OM 909.921)		Diesel		6374	205	279	01.99-	■	■
Citaro, Citaro MUE (OM 902.926)		Diesel		6374	210	286	01.98-	■	■
Citaro, Citaro MUE (OM 902.934)		Diesel		6374	210	286	01.98-	■	■
Citaro N (OM 457.942)		Diesel		11967	185	252	01.98-	■	■
Citaro N, Citaro MUE (OM 457.934)		Diesel		11967	220	299	01.98-	■	■
Citaro N, Citaro MUE (OM 457.942)		Diesel		11967	220	299	01.98-	■	■
Citaro N, Citaro MUE (OM 457.949)		Diesel		11967	220	299	01.98-	■	■
Citaro N, Citaro MUE (OM 457.950)		Diesel		11967	220	299	01.98-	■	■
Citaro N, Citaro MUE (OM 457.959)		Diesel		11967	220	299	01.98-	■	■
Citaro N, Citaro MUE (OM 457.973)		Diesel		11967	220	299	01.98-	■	■
Citaro N, Citaro MUE (OM 457.942)		Diesel		11967	260	354	01.98-	■	■
Citaro N, Citaro MUE (OM 457.950)		Diesel		11967	260	354	01.98-	■	■
Citaro N, Citaro MUE (OM 457.951)		Diesel		11967	260	354	01.98-	■	■
Citaro N, Citaro MUE (OM 457.957)		Diesel		11967	260	354	01.98-	■	■
Citaro N, Citaro MUE (OM 457.959)		Diesel		11967	260	354	01.98-	■	■
Citaro N, Citaro MUE (OM 457.973)		Diesel		11967	260	354	01.98-	■	■
O 530 CITARO (O 530) 01.98-								Bus	
Citaro NG (M 476.932)		Gasolina		11967	185	252	06.00-	■	■
Citaro NG (M 476.933)		Gasolina		11967	185	252	06.00-	■	■
Citaro NG (M 476.934)		Gasolina		11967	185	252	06.00-	■	■
Citaro GNG (M 476.930)		Gasolina		11967	240	326	04.00-	■	■
Citaro NG (M 476.930)		Gasolina		11967	240	326	04.00-	■	■
Citaro NG (M 476.933)		Gasolina		11967	240	326	04.00-	■	■
Citaro NG (M 476.934)		Gasolina		11967	240	326	04.00-	■	■
O 530 CITARO (O 530) 01.98-								Bus	
Citaro BZ		Mixto		0	225	306	01.02-	■	■
O 550 INTEGRO (O 550) 09.96-								Bus	
Integro L (OM 926.939)		Diesel		7201	210	286	01.06-	■	■
Integro, Integro M (OM 457.952)		Diesel		11967	220	299	01.06-	■	■
Integro, Integro M (OM 457.964)		Diesel		11967	220	299	01.06-	■	■
Integro L (OM 457.952)		Diesel		11967	220	300	01.06-	■	■
Integro L (OM 457.965)		Diesel		11967	220	300	01.06-	■	■
Integro, Integro M (OM 457.952)		Diesel		11967	260	354	01.06-	■	■
Integro, Integro M (OM 457.965)		Diesel		11967	260	354	01.06-	■	■
Integro L (OM 457.952)		Diesel		11967	260	354	01.06-	■	■
Integro L (OM 457.952)		Diesel		11967	300	408	01.06-	■	■

LISTA DE APLICACIONES - BUYERS GUIDE

							Bus					
O 580 TRAVEGO (O 580) 10.99-												
O 580-15 RH/RHD (OM 457.940)		Diesel		11967	260	354	10.99-	■	■			
O 580-15 RH/RHD (OM 457.944)		Diesel		11967	260	354	10.99-	■	■			
O 580-15 RH/RHD (OM 457.953)		Diesel		11967	260	354	10.99-	■	■			
O 580-15 RH/RHD (OM 457.961)		Diesel		11967	260	354	10.99-	■	■			
O 580-16 RHD (OM 457.944)		Diesel		11967	260	354	01.03-	■	■			
O 580-16 RHD (OM 457.953)		Diesel		11967	260	354	01.03-	■	■			
O 580-16 RHD (OM 457.961)		Diesel		11967	260	354	01.03-	■	■			
O 580-15 RH/RHD (OM 457.936)		Diesel		11967	300	408	10.99-	■	■			
O 580-15 RH/RHD (OM 457.938)		Diesel		11967	300	408	10.99-	■	■			
O 580-15 RHD (OM 457.944)		Diesel		11967	310	422	10.99-	■	■			
O 580-15 RHD (OM 457.953)		Diesel		11967	310	422	10.99-	■	■			
O 580-16 RHD, O 580-17 RHD (OM 457.944)		Diesel		11967	310	422	10.99-	■	■			
O 580-16 RHD (OM 542.948)		Diesel		15928	320	435	10.99-	■	■			
O 580-17 RHD (OM 542.948)		Diesel		15928	320	435	10.99-	■	■			
O 580-17 RHD (OM 542.948)		Diesel		15928	350	476	10.99-	■	■			
O 580-17 RHD (OM 542.966)		Diesel		15928	350	476	10.99-	■	■			
OF 01.83-												
1113 (OM 384.906)		Diesel		3972	100	137	01.83-	■	■			
1113 (OM 344.949)		Diesel		5675	96	131	01.83-	■	■			
1113 (OM 352.997)		Diesel		5675	96	131	01.83-	■	■			
1113 (OM 352.998)		Diesel		5675	96	131	01.83-	■	■			
1313, 1314 (OM 352.997)		Diesel		5675	96	131	01.83-	■	■			
1413 (OM 352.997)		Diesel		5675	96	131	01.83-	■	■			
1117 (OM 386.952)		Diesel		5958	125	170	01.83-	■	■			
1317 (OM 327.919)		Diesel		7980	125	170	01.83-	■	■			
1417 (OM 327.940)		Diesel		7980	125	170	01.83-	■	■			
1317 (OM 360.937)		Diesel		8720	125	170	01.83-	■	■			
1317 (OM 360.951)		Diesel		8720	125	170	01.83-	■	■			
1417 (OM 360.938)		Diesel		8720	125	170	01.83-	■	■			
1417 (OM 360.952)		Diesel		8720	125	170	01.83-	■	■			
1617 (OM 360.938)		Diesel		8720	125	170	01.83-	■	■			
1617 (OM 360.962)		Diesel		8720	125	170	01.83-	■	■			
1617 (OM 360.983)		Diesel		8720	125	170	01.83-	■	■			
1621 (OM 360.982)		Diesel		8720	154	210	01.83-	■	■			
OH 01.70-												
1518 (OM 904.973)		Diesel		4249	130	177	01.70-	■	■			
1518, 1519 (OM 924.988)		Diesel		4801	142	193	05.99-	■	■			
1521 (OM 924.913)		Diesel		4801	160	218	05.07-	■	■			
1316 (OM 344.948)		Diesel		5675	115	156	01.70-	■	■			
1525 (OM 906.918)		Diesel		6374	180	245	01.70-	■	■			
1526 (OM 926.996)		Diesel		7201	188	256	05.07-	■	■			
TE							Trailer Axle					
TE5/1C7-9							01.53-			■		
TE5/2C7-9							01.53-			■		
TE5/3C7-9							01.53-			■		
TE5/4C7-10,5							01.53-			■		
TE5/5C7-9							01.53-			■		
TE5/6C7-9							01.53-			■		
TE5/8C7-9							01.53-			■		

LISTA DE APLICACIONES - BUYERS GUIDE

TL						Trailer Axle	
TL5/1C7-9					01.53-		■
TZ						Trailer Axle	
TZ5/2C7-10,5					01.53-		■
TZ5/8C7-9					01.53-		■
VL						Tractor Axle	
VL3/35DC-5					01.53-		■
VL4/39DC-7,1					01.53-		■
VL4/51DC-7,5					01.53-		■
VL5/NR-9					01.53-		■
VO						Tractor Axle	
VO4/36CL-7					01.53-		■
VO4/37CL-7					01.53-		■
VO4/38CL-7,5					01.53-		■
VO4/39CL-7,5					01.53-		■
VO4/40DCL-7,1					01.53-		■