

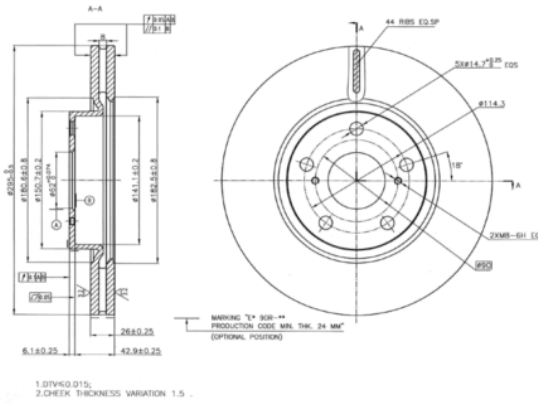
LISTA DE APLICACIONES - BUYERS GUIDE

78BD0009-2



Weight: 15.620

O.E.M.	MAKE
43512-05080	TOYOTA
43512-0F010	TOYOTA
43512-YZZAA	TOYOTA



78BD0009-2

E1 90R-02C0452/0080



Ø295x26x49

MAKE
TOYOTA



Trac.	CC	Kw	CV
-------	----	----	----



Front / Rear

TOYOTA

AVENSIS II (_T25_) 04.03-11.08						Estate (Large family car-D Segment)			
2.2 D-4D (ADT251_, ADT251R) (2AD-FTV)		Diesel	FWD	2231	110	150	10.05-11.08	■	
2.2 D-CAT (ADT251_, ADT251R) (2AD-FHV)		Diesel	FWD	2231	130	177	07.05-11.08	■	
AVENSIS II (_T25_) 03.03-11.08						Hatchback (Large family car-D Segment)			
2.2 D-4D (ADT251_, ADT251R) (2AD-FTV)		Diesel	FWD	2231	110	150	10.05-11.08	■	
2.2 D-CAT (ADT251_, ADT251R) (2AD-FHV)		Diesel	FWD	2231	130	177	07.05-11.08	■	
AVENSIS II (_T25_) 01.03-04.09						Saloon (Large family car-D Segment)			
2.2 D-4D (ADT251_, ADT251R) (2AD-FTV)		Diesel	FWD	2231	110	150	10.05-11.08	■	
2.2 D-CAT (ADT251_, ADT251R) (2AD-FHV)		Diesel	FWD	2231	130	177	07.05-11.08	■	
COROLLA IX (_E12_) 07.01-05.07						MPV (Compact MPV-M1 Segment)			
1.8 VVTi		Gasolina	FWD	1794	99	135	07.01-02.04	■	
COROLLA IX-X (ZER_, ZZE12_, R1_) 03.04-10.09						MPV (Compact MPV-M1 Segment)			
1.3 VVTi (8A-FE)		Gasolina	FWD	1342	64	87	03.04-03.09	■	
1.5		Gasolina	FWD	1497	80	109	03.04-03.09	■	
1.6 (ZNR10_, ZNR10R) (3ZZ-FE)		Gasolina	FWD	1598	81	110	04.04-03.09	■	
1.8 (ZNR11_, ZNR11R) (1ZZ-FE)		Gasolina	FWD	1794	95	129	04.04-03.09	■	
1.8		Gasolina	FWD	1838	92	125	03.04-03.09	■	
1.4 D4d		Diesel	RWD	1364	66	90	03.04-03.09	■	
2.0 D-4D (CUR10_, CUR10R) (1CD-FTV)		Diesel	FWD	1995	85	116	04.04-03.09	■	
2.2 D-4D (AUR10_, AUR10R) (2AD-FTV)		Diesel	FWD	2231	100	136	10.05-03.09	■	
2.2 D-4D (AUR10_, AUR10R) (2AD-FHV)		Diesel	FWD	2231	130	177	10.05-03.09	■	

LISTA DE APLICACIONES - BUYERS GUIDE

COROLLA X / ALTIS (_E15_) 10.06-				Saloon (Compact executive car-D Segment)				
2.2 D-4D (AUR10)	Diesel	FWD	2231	130	177	11.06-12.12	■	