

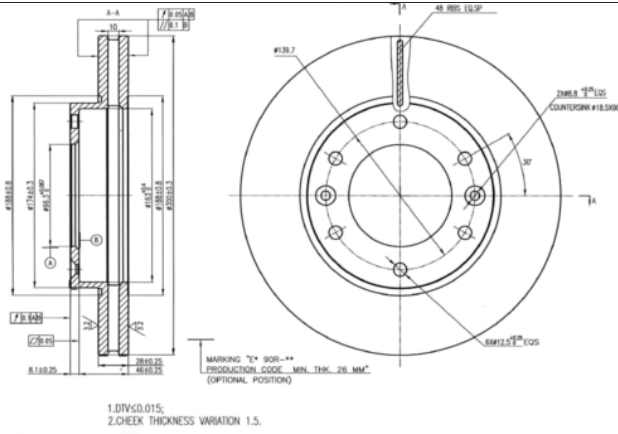
LISTA DE APLICACIONES - BUYERS GUIDE

78BD0019-2



Weight: 17.652

O.E.M.	MAKE
517124D000	KIA
517124D200	KIA



78BD0019-2

E1 90R-02C0452/0127



Ø300x28x54.1

MAKE
KIA
KIA (DYK)



Trac.	CC	Kw	CV
-------	----	----	----



Front / Rear

KIA

CARNIVAL II / GRAND CARNIVAL / SEDONA / VQ (VQ) 09.05-

MPV (Large MPV-M1 Segment)

Engine	Trac.	CC	Kw	CV	Period	Availability	
2.7 V6 (G6EA)	Gasolina	FWD	2656	139	189	06.06-06.15	■
3.5 CVVT (G6DC)	Gasolina	FWD	3470	191	260	12.12-06.15	■
3.5 CVVT	Gasolina	FWD	3470	202	275	06.10-06.15	■
3.5 EX CVVT	Gasolina	FWD	3470	203	276	06.11-	■
3.8 (G6DA)	Gasolina	FWD	3778	178	242	07.06-06.15	■
3.8	Gasolina	FWD	3778	182	246	01.10-	■
3.8	Gasolina	FWD	3778	184	250	01.06-12.10	■
3.8	Gasolina	FWD	3778	195	265	09.05-06.15	■
3.8	Gasolina	FWD	3778	202	275	06.10-	■
2.2 CRDi (D4HB)	Diesel	FWD	2199	110	150	01.10-06.15	■
2.2 CRDi (D4HB)	Diesel	FWD	2199	143	194	01.10-06.15	■
2.2 CRDi	Diesel	RWD	2199	145	197	01.10-06.15	■
2.9 CRDi	Diesel	FWD	2902	118	160	09.05-06.15	■
2.9 CRDi (J3(CRDI))	Diesel	FWD	2902	136	185	04.06-06.15	■
2.9 CRDi LX (J3(CRDI))	Diesel	FWD	2902	141	192	09.06-06.15	■

KIA (DYK)

CARNIVAL 01.04-12.10

MPV (Large MPV-M1 Segment)

2.7	Gasolina	FWD	2656	124	169	04.06-	■
3.5	Gasolina	FWD	3497	140	190	01.04-	■