

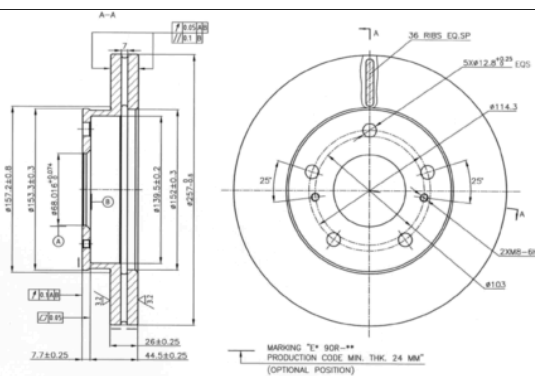
LISTA DE APLICACIONES - BUYERS GUIDE

78BD0023-2



Weight: 12.204

O.E.M.	MAKE
402069C100	NISSAN
402069C101	NISSAN
40206Y9502	NISSAN
D02069C10AVA	NISSAN



1.DIV<0.015;
2.CHEEK THICKNESS VARIATION 1.5 .

78BD0023-2

E1 90R-02C0452/0104



Ø257x26x52.2

MAKE
LDV
NISSAN



Trac.	CC	Kw	CV			Front / Rear
-------	----	----	----	--	--	--------------

LDV

CUB 08.98-09.01	Van (LCVs-N1 Segment)
2.3 D (LD23) Diesel RWD 2283 53 72 08.98-09.01	■

NISSAN

SERENA (C23) 06.91-09.01	MPV (Large MPV-M1 Segment)
1.6 (GA16DE) Gasolina RWD 1597 71 97 02.93-09.01	■
1.6 (GA16DE) Gasolina RWD 1597 75 102 09.94-08.00	■
2.0 (SR20DE) Gasolina RWD 1998 93 126 11.92-09.01	■
2.0 (KBC23) Gasolina FWD 1998 96 130 11.92-09.01	■
2.0 4WD (KBNC23) Gasolina 4WD 1998 96 130 11.92-09.01	■
2.4 Gasolina RWD 2389 93 126 07.94-08.00	■
2.0 D (LD20) Diesel RWD 1952 49 67 06.91-09.01	■
2.0 D (KVJC23) (CD20) Diesel RWD 1974 56 76 06.91-09.01	■
2.0 TD (KVC23) (CD20T) Diesel RWD 1974 67 91 06.91-09.96	■
2.0 TD 4WD (KVNC23) (CD20T) Diesel 4WD 1974 67 91 06.91-09.96	■
2.0 TDI (KVC23) Diesel RWD 1974 71 97 09.96-06.99	■
2.0 TDI (KVNC23) Diesel RWD 1974 71 97 09.96-06.99	■
2.3 D (LD23) Diesel RWD 2283 55 75 01.95-09.01	■

SERENA VAN (C23) 06.91-09.01	Box Body/MPV (Large MPV-M1 Segment)
1.6 Gasolina RWD 1597 71 97 02.93-06.01	■
1.6 Gasolina RWD 1597 75 102 09.94-06.99	■
2.0 Diesel RWD 1952 49 67 07.92-09.94	■
2.3 Diesel RWD 2283 55 75 10.94-09.01	■

LISTA DE APLICACIONES - BUYERS GUIDE

VANETTE CARGO (HC 23) 04.94-05.01					Bus (Minibus-M2-Segment)			
1.6 i (GA16DE)		Gasolina	RWD	1597	72	98	01.96-05.01	■
1.6 (GA16DE)		Gasolina	RWD	1597	75	102	09.94-05.01	■
2.0 D (LD20)		Diesel	RWD	1952	49	67	01.96-05.01	■
2.3 D (LD23)		Diesel	RWD	2283	55	75	09.94-05.01	■
VANETTE CARGO (HC 23) 09.94-05.02					Van (LCVs-N1 Segment)			
1.6 i (GA16DE)		Gasolina	RWD	1597	71	97	09.94-05.01	■
1.6 (GA16DE)		Gasolina	RWD	1597	75	102	09.94-05.01	■
2.0 D		Diesel	RWD	1952	49	67	01.95-05.01	■
2.3 D (LD23)		Diesel	RWD	2283	55	75	09.94-05.02	■