

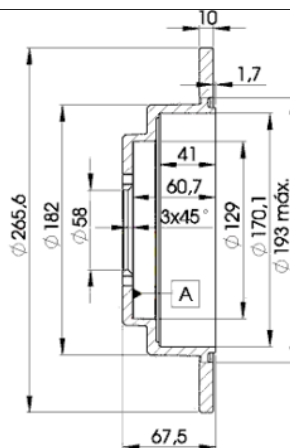
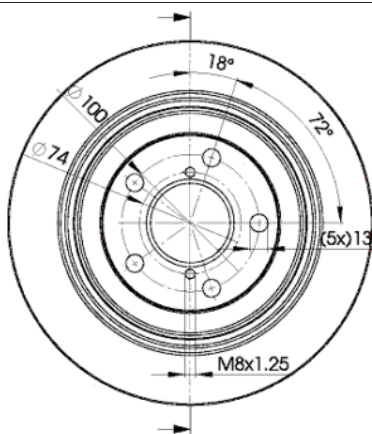
LISTA DE APLICACIONES - BUYERS GUIDE

78BD0034-2



Weight: 9.116

O.E.M.	MAKE
26310-AA040	SUBARU
26310-AA050	SUBARU
26310-AA051	SUBARU
26700-FE010	SUBARU
26700FE020	SUBARU
26700-FE030	SUBARU
26700-FE080	SUBARU
26710AC020	SUBARU
26710FA130	SUBARU
32006222	SAAB
32009802	SAAB



78BD0034-2



Ø265.6x10x67.5

MAKE
SUBARU



Trac.	CC	Kw	CV
-------	----	----	----



Front / Rear

SUBARU

FORESTER (SF_) 03.97-09.02

SUV (Compact SUV-J Segment)

2.0 S Turbo AWD (SF5) (EJ205)	Gasolina	4WD	1994	125	170	06.98-04.01	■
2.0 S Turbo AWD (SF5) (EJ205)	Gasolina	4WD	1994	130	177	04.01-09.02	■
2.0 16V AWD	Gasolina	4WD	1994	184	250	03.97-02.02	■
2.5 AWD (SF9) (EJ25D)	Gasolina	4WD	2457	123	167	07.97-05.02	■
2.5 Turbo AWD (EJ250)	Gasolina	4WD	2457	160	218	09.98-05.02	■

FORESTER II (SG_, S11SG) 02.02-12.12

SUV (Compact SUV-J Segment)

2.0 S Turbo AWD (SG5) (EJ205)	Gasolina	4WD	1994	130	177	02.02-05.05	■
2.5 AWD (SG9)	Gasolina	4WD	2457	112	152	06.02-05.05	■
2.5 RX Nato AWD (SG9) (EJ25)	Gasolina	4WD	2457	115	156	11.02-12.08	■
2.5 AWD (SG9) (EJ25D)	Gasolina	4WD	2457	121	165	06.05-05.08	■
2.5 AWD (EJ253)	Gasolina	4WD	2457	129	175	01.05-10.12	■
2.5 AWD (SG9) (EJ25)	Gasolina	4WD	2457	155	211	12.03-05.05	■
2.5 AWD (SG9, S11SG, S12SH) (EJ255)	Gasolina	4WD	2457	169	230	06.05-05.08	■
2.5 AWD (EJ255)	Gasolina	4WD	2457	171	232	01.04-12.09	■
2.5 Prodrive Performance Pack AWD (EJ255)	Gasolina	4WD	2457	188	256	05.05-09.05	■

IMPREZA (GFC) 01.93-12.00

Coupe (Compact car-C Segment)

1.6 (GC4) (EJ161)	-12/98, vehicles with ABS	Gasolina	FWD	1597	66	90	12.96-12.00	■
1.6 (GC4) (EJ16E)	-12/98, vehicles with ABS	Gasolina	FWD	1597	66	90	12.96-12.00	■
1.6 AWD (GC4) (EJ161)	-12/98, vehicles with ABS	Gasolina	4WD	1597	66	90	12.96-12.00	■
1.8 (EJ18)		Gasolina	FWD	1820	76	103	01.93-10.95	■
2.0 (GC8)		Gasolina	FWD	1994	92	125	09.98-09.00	■
2.0 Turbo AWD (GC8) (EJ20G)		Gasolina	4WD	1994	155	211	12.96-12.00	■

LISTA DE APLICACIONES - BUYERS GUIDE

IMPREZA (GF) 08.92-12.00					Estate (Compact car-C Segment)			
1.5 L (GF1) (EJ151)		Gasolina	FWD	1493	66	90	09.98-09.00	■
1.5 L (GF1)		Gasolina	FWD	1493	70	95	11.95-08.98	■
1.6 i AWD (GF4) (EJ16)	vehicles with ABS	Gasolina	4WD	1597	66	90	08.92-12.00	■
1.8 i (GF5) (EJ18E)	vehicles with ABS	Gasolina	FWD	1820	76	103	11.95-06.96	■
1.8 i AWD (GF6) (EJ18)	vehicles with ABS	Gasolina	4WD	1820	76	103	08.92-12.00	■
2.0 (GF8) (EJ20E)	vehicles with ABS	Gasolina	FWD	1994	85	116	09.96-08.98	■
2.0 i AWD (GF8) (EJ201)	vehicles with ABS	Gasolina	4WD	1994	85	116	12.95-12.00	■
2.0 i AWD (GF8) (EJ20E)	vehicles with ABS	Gasolina	4WD	1994	85	116	12.95-12.00	■
2.0 i (GF8) (EJ201)	vehicles with ABS	Gasolina	FWD	1994	92	125	09.98-09.00	■
2.0 Turbo AWD (GF8) (EJ20 (TURBO))	-12/98	Gasolina	4WD	1994	155	211	03.94-12.00	■
2.0 Turbo GT AWD (GF8) (EJ205)	-12/98	Gasolina	4WD	1994	160	218	06.98-12.00	■
IMPREZA (GC) 08.92-09.01					Saloon (Compact car-C Segment)			
1.5 (GC1)		Gasolina	FWD	1493	70	95	11.94-08.98	■
1.6 i (GC3) (EJ16)	-12/98, vehicles with ABS	Gasolina	FWD	1597	66	90	08.92-12.00	■
1.6 i AWD (GC4) (EJ16)	-12/98, vehicles with ABS	Gasolina	4WD	1597	66	90	08.92-12.00	■
1.8 i (GC5) (EJ18E)		Gasolina	FWD	1820	76	103	11.95-06.96	■
1.8 i AWD (GC6) (EJ18)	vehicles with ABS	Gasolina	4WD	1820	76	103	08.92-12.00	■
1.8 i AWD (GC6) (EJ18E)	vehicles with ABS	Gasolina	4WD	1820	76	103	08.92-12.00	■
2.0 i (GC7) (EJ20E)	vehicles with ABS	Gasolina	FWD	1994	85	116	07.96-08.98	■
2.0 i AWD (GC8) (EJ201)	vehicles with ABS	Gasolina	4WD	1994	85	115	10.95-12.00	■
2.0 i AWD (GC8) (EJ20E)	vehicles with ABS	Gasolina	4WD	1994	85	115	10.95-12.00	■
2.0 i (GC7) (EJ201)	vehicles with ABS	Gasolina	FWD	1994	92	125	09.98-09.00	■
2.0 i AWD (GC8) (EJ201)	vehicles with ABS	Gasolina	4WD	1994	92	125	06.98-12.00	■
2.0 Turbo GT AWD (GC8) (EJ20 (TURBO))		Gasolina	4WD	1994	155	211	03.94-12.00	■
2.0 Turbo GT AWD (GC8) (EJ205)		Gasolina	4WD	1994	160	218	06.98-12.00	■
IMPREZA II (GG) 10.00-					Estate (Compact car-C Segment)			
2.0 AWD (GG9) (EJ201)	-09/05	Gasolina	4WD	1994	92	125	12.00-12.07	■
2.0 i R AWD (GG9) (EJ20)		Gasolina	4WD	1994	118	160	12.00-06.07	■
2.0 i R AWD (GG9) (EJ204)		Gasolina	4WD	1994	118	160	12.00-06.07	■
IMPREZA II (GD) 09.99-					Saloon (Compact car-C Segment)			
1.5 (GD2) (EL15)		Gasolina	FWD	1498	74	101	06.01-09.05	■
1.5 (GD2) (EL154)		Gasolina	FWD	1498	74	101	06.01-09.05	■
1.5 (GDC) (EL15)		Gasolina	FWD	1498	81	110	10.05-03.07	■
1.5 AWD (GDD) (EL15)		Gasolina	4WD	1498	81	110	10.05-03.07	■
2.0 i AWD (GD9) (EJ201)	-09/05	Gasolina	4WD	1994	92	125	12.00-06.09	■
2.0 i R AWD (GD9) (EJ204)		Gasolina	4WD	1994	118	160	09.05-03.07	■
2.5 i AWD (GDE) (EJ251)		Gasolina	4WD	2457	112	152	12.02-09.05	■
2.5 AWD (GDE) (EJ251)		Gasolina	4WD	2457	130	177	03.01-09.05	■
LEGACY II / LIBERTY (BG) 02.94-12.99					Estate (Executive car-E Segment)			
2.0 i (BG4) (EJ20 EMPI)	vehicles with ABS	Gasolina	FWD	1994	85	116	09.94-11.98	■
2.0 i 4WD (BG5) (EJ201)	vehicles with ABS	Gasolina	4WD	1994	85	116	09.94-11.98	■
2.0 i 4WD (BG5) (EJ20E)	vehicles with ABS	Gasolina	4WD	1994	85	116	09.94-11.98	■
2.2 i 4WD (BG7) (EJ22 EMPI)		Gasolina	4WD	2212	94	128	02.94-12.98	■
2.2 i 4WD (BG7) (EJ22 EMPI)		Gasolina	4WD	2212	96	131	06.96-11.98	■
2.5 i 4WD (BG9) (EJ25D)		Gasolina	4WD	2457	110	150	06.96-11.98	■
LEGACY II / LIBERTY (BD) 01.94-10.99					Saloon (Executive car-E Segment)			
2.0 i (BD4) (EJ20E)	vehicles with ABS	Gasolina	FWD	1994	85	116	09.94-03.99	■
2.0 i 4WD (BD5) (EJ201)	vehicles with ABS	Gasolina	4WD	1994	85	116	09.94-03.99	■

LISTA DE APLICACIONES - BUYERS GUIDE

2.0 i 4WD (BD5) (EJ20E)	vehicles with ABS	Gasolina	4WD	1994	85	116	09.94-03.99	■	
2.2 (BD6) (EJ22)		Gasolina	FWD	2212	94	128	07.94-11.98	■	
2.2 i 4WD (BD7) (EJ22 EMPI)		Gasolina	4WD	2212	94	128	09.94-03.99	■	
2.2 i 4WD (BD7) (EJ22 EMPI)		Gasolina	4WD	2212	96	131	06.96-03.99	■	
2.5 i 4WD (BD9) (EJ25D)		Gasolina	4WD	2457	110	150	06.96-03.99	■	
LEGACY II OUTBACK / LIBERTY OUTBACK (BG) 01.96-12.99					Estate (Executive car-E Segment)				
2.5 (BG9) (EJ25D)		Gasolina	4WD	2457	110	150	01.96-12.99	■	
LEGACY III / LIBERTY (BE) 10.98-08.03					Saloon (Executive car-E Segment)				
3.0 H6 AWD (BEE)		Gasolina	4WD	3000	154	209	08.00-08.03	■	
LEGACY / LIBERTY (BC, BF, BJ) 01.89-08.94					Estate (Executive car-E Segment)				
1.6 GL (EJ16)		Gasolina	FWD	1597	70	95	05.89-12.93	■	
2.2 (BF7) (EJ22)		Gasolina	FWD	2212	100	136	05.89-10.91	■	
2200 Super 4WD (BF7) (EJ22 EMPI)	05/89-	Gasolina	4WD	2212	100	136	01.89-07.94	■	
LEGACY / LIBERTY (BC) 01.89-12.95					Saloon (Executive car-E Segment)				
1.6 (EJ16)		Gasolina	FWD	1597	70	95	05.89-12.93	■	
2200 4WD (BC7) (EJ22 EMPI)		Gasolina	4WD	2212	100	136	01.89-07.94	■	