

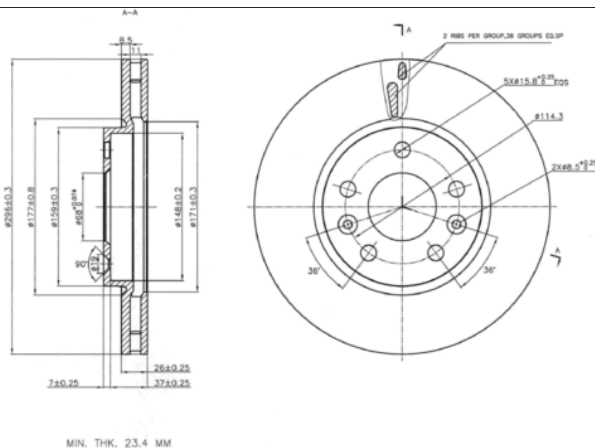
LISTA DE APLICACIONES - BUYERS GUIDE

78BD0036-2



Weight: 15.200

O.E.M.	MAKE
402062000R	RENAULT
402066RN0A	NISSAN
4204211800	MERCEDES-BENZ
A4204211800	MERCEDES-BENZ



78BD0036-2



Ø296x26x44

MAKE
ALPINE
MERCEDES-BENZ
NISSAN
RENAULT



Trac.	CC	Kw	CV
-------	----	----	----



Front / Rear

ALPINE

A110 II 12.17-						Coupe (Sports car-S Segment)			
1.8 (M5P 400)	Gasolina	RWD	1798	185	252	12.17-04.21	■		
1.8 (M5P 404)	Gasolina	RWD	1798	185	252	12.17-04.21	■		
1.8 S (M5P 424)	Gasolina	RWD	1798	215	292	10.19-04.21	■	■	
1.8 GT	Gasolina	RWD	1798	221	300	11.21-10.24	■	■	

MERCEDES-BENZ

CITAN II (W420) 09.21-						Box Body/MPV (LCVs-N1 Segment)			
1.3 110 (420.653)	Gasolina	FWD	1332	75	102	09.21-	■		
1.3 113 (420.663, 420.665)	Gasolina	FWD	1332	96	131	09.21-	■		
eCITAN (420.693, 420.695)	Eléctrico	FWD		90	122	09.22-	■		
1.5 108 CDI (420.613)	Diesel	FWD	1461	55	75	09.21-	■		
1.5 110 CDI (420.623, 420.625)	Diesel	FWD	1461	70	95	09.21-	■		
1.5 112 CDI (420.633, 420.635)	Diesel	FWD	1461	85	116	09.21-	■		

CITAN II (W420) 09.21-						MPV (LCVs-N1 Segment)			
110 (420.753)	Gasolina	FWD	1332	75	102	09.21-	■		
113 (420.763, 420.765)	Gasolina	FWD	1332	96	131	09.21-	■		
eCITAN (420.793)	Eléctrico	FWD		90	122	07.23-	■		
108 CDI (420.713)	Diesel	FWD	1461	55	75	09.21-	■		
110 CDI (420.723)	Diesel	FWD	1461	70	95	09.21-	■		
112 CDI (420.733)	Diesel	FWD	1461	85	116	09.21-	■		

EQT (W420) 01.23-						MPV (LCVs-N1 Segment)			
EQT 200 (420.893, 420.895)	Eléctrico	FWD		90	122	01.23-	■		

LISTA DE APLICACIONES - BUYERS GUIDE

T-CLASS (W420) 05.22-					MPV (LCVs-N1 Segment)			
T 160 (420.853)		Gasolina	FWD	1332	75	102	05.22-	■
T 180 (420.863, 420.865)		Gasolina	FWD	1332	96	131	05.22-	■
T 160 CDI (420.823)		Diesel	FWD	1461	70	95	05.22-	■
T 180 CDI (420.833)		Diesel	FWD	1461	85	116	05.22-	■
NISSAN								
QASHQAI III (J12) 04.21-					SUV (Compact SUV-J Segment)			
1.3 DIG-T		Gasol./el éc.	FWD	1332	103	140	04.21-	■
1.3 DIG-T		Gasol./el éc.	FWD	1332	116	158	04.21-	■
1.3 DIG-T A las 4 ruedas		Gasol./el éc.	4WD	1332	116	158	04.21-	■
TOWNSTAR (XFK) 12.21-					Box Body/MPV (LCVs-N1 Segment)			
1.3		Gasolina	FWD	1332	96	131	12.21-	■
Electric		Eléctrico	FWD		90	122	03.22-	■
TOWNSTAR (XFK) 12.21-					MPV (LCVs-N1 Segment)			
1.3		Gasolina	FWD	1332	96	131	12.21-	■
Electric		Eléctrico	FWD		90	122	09.22-	■
RENAULT								
CAPTUR II 01.20-					Hatchback (Mini SUV-J Segment)			
E-TECH 145 (HFMU)		Gasol./el éc.	FWD	1598	105	143	01.22-	■
E-TECH 160 (H4M 630)		Gasol./el éc.	FWD	1598	116	158	05.20-	■
EXPRESS 05.21-					Box Body/MPV (LCVs-N1 Segment)			
1.6 SCe 110 (F6MB)		Gasolina	FWD	1598	82	110	05.21-	■
1.5 dCi 95 (F6AB)		Diesel	FWD	1461	70	95	05.21-	■
KANGOO III 06.21-					Box Body/MPV (LCVs-N1 Segment)			
1.3 TCe 100 (FJMA)		Gasolina	FWD	1332	75	102	06.21-	■
1.3 TCe 130 (FJMB)		Gasolina	FWD	1332	96	131	06.21-	■
E-Tech Electric (FJJA)		Eléctrico	FWD		90	122	04.22-	■
1.5 Blue dCi 75 (FJAA)		Diesel	FWD	1461	55	75	06.21-	■
1.5 Blue dCi 95 (FJAB)		Diesel	FWD	1461	70	95	06.21-	■
1.5 Blue dCi 115 (FJAC)		Diesel	FWD	1461	85	116	06.21-	■
KANGOO III 07.21-					MPV (LCVs-N1 Segment)			
TCe 100 (KJMA)		Gasolina	FWD	1332	75	102	07.21-	■
TCe 130 (KJMB)		Gasolina	FWD	1332	96	131	07.21-	■
E-Tech Electric (KJJA)		Eléctrico	FWD		90	122	04.22-	■
Blue dCi 75 (KJAA)		Diesel	FWD	1461	55	75	07.21-	■
Blue dCi 95 (KJAB)		Diesel	FWD	1461	70	95	07.21-	■
Blue dCi 115 (KJAC)		Diesel	FWD	1461	85	116	10.21-	■
MEGANE IV (LVA/M/N) 10.16-					Saloon (Compact car-C Segment)			
1.3 TCe 115 (LVN9) (H5H 450)		Gasolina	FWD	1332	85	116	01.18-	■
1.3 TCe 115 (LVN9) (H5H 470)		Gasolina	FWD	1332	85	116	01.18-	■
1.3 TCe 140 (LVNB) (H5H 450)		Gasolina	FWD	1332	103	140	01.18-	■
1.3 TCe 140 (LVNB) (H5H 470)		Gasolina	FWD	1332	103	140	01.18-	■
1.6 SCe (LVM0)		Gasolina	FWD	1598	84	115	10.16-	■
1.6 dCi 130		Diesel	FWD	1598	96	130	10.16-	■

LISTA DE APLICACIONES - BUYERS GUIDE

MEGANE IV (B9A/M/N_) 11.15-					Hatchback (Compact car-C Segment)			
1.3 TCe 160 (B9NC)		Gasolina	FWD	1332	116	158	08.20-	■
1.3 TCe 160 (B9NC) (H5H 470)		Gasolina	FWD	1332	117	159	11.18-	■
1.3 TCe 160 (B9NC) (H5H 450)		Gasolina	FWD	1332	120	163	01.18-	■
1.3 TCe 160 (B9NC) (H5H 470)		Gasolina	FWD	1332	120	163	01.18-	■
1.6 E-TECH 160 (B9NH)		Gasol./el éc.	FWD	1598	118	160	07.21-	■
1.6 dCi 130 (B9A4) (R9M 409)		Diesel	FWD	1598	96	130	11.15-	■
1.6 dCi 165 (R9M 452)		Diesel	FWD	1598	120	163	11.15-	■
1.8 Blue dCi 150 (B9A7) (R9N 401)		Diesel	FWD	1749	110	150	02.19-	■
MEGANE IV Grandtour (K9A/M/N_) 04.16-					Estate (Compact car-C Segment)			
1.3 TCe 160 (K9NC)		Gasolina	FWD	1332	116	158	08.20-	■
1.3 TCe 160 (K9NC) (H5H 470)		Gasolina	FWD	1332	117	159	07.18-	■
1.3 TCe 160 (K9NC) (H5H 450)		Gasolina	FWD	1332	120	163	01.18-	■
1.3 TCe 160 (K9NC) (H5H 470)		Gasolina	FWD	1332	120	163	01.18-	■
1.6 TCe 165 (M5M 450)		Gasolina	FWD	1618	121	165	07.17-	■
1.6 TCe 205 (M5M 450)		Gasolina	FWD	1618	151	205	04.16-	■
E-TECH 160 (K9NH) (H4M 630)		Gasol./el éc.	FWD	1598	116	158	05.20-	■
1.6 dCi 130 (R9M 409)		Diesel	FWD	1598	96	130	04.16-	■
1.6 dCi 165 (R9M 452)		Diesel	FWD	1598	120	163	04.16-	■
1.8 Blue dCi 150 (K9A7) (R9N 401)		Diesel	FWD	1749	110	150	02.19-	■
TALISMAN / Samsung SM6 (LP_) 06.15-					Saloon (Large family car-D Segment)			
1.6 TCe 150 (M5M 450)		Gasolina	FWD	1618	110	150	11.15-03.22	■
1.5 dCi 110 (LPA3) (K9K 646)		Diesel	FWD	1461	81	110	11.15-03.22	■
1.5 dCi 110 (LPA3) (K9K 647)		Diesel	FWD	1461	81	110	11.15-03.22	■
1.6 dCi 130 (R9M 409)		Diesel	FWD	1598	96	130	11.15-03.22	■
TALISMAN Grandtour / Samsung SM6 (KP_) 03.16-					Estate (Large family car-D Segment)			
1.6 dCi 130 (R9M 409)		Diesel	FWD	1598	96	130	03.16-03.22	■