

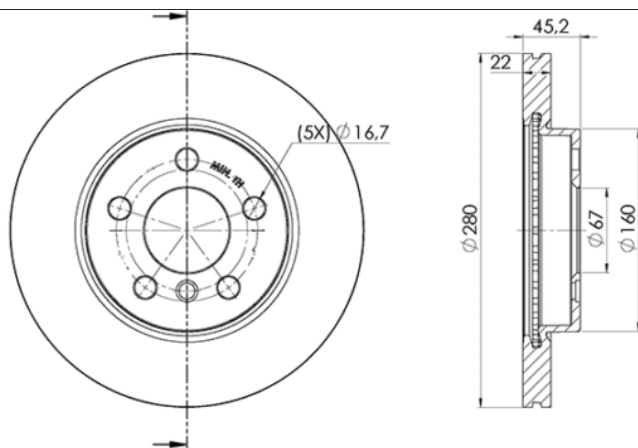
# LISTA DE APLICACIONES - BUYERS GUIDE

## 78BD0039-2



Weight: 11.744

O.E.M.	MAKE
34 11 6 799 347	BMW
34 11 6 866 295	BMW
6 799 347	BMW
6 866 295	BMW



## 78BD0039-2

**E1** 90R-02C0452/0118



Ø280x22x45.2

MAKE
BMW
MINI



Trac.	CC	Kw	CV
-------	----	----	----



Front / Rear

### BMW

#### 2 Active Tourer (F45) 11.13-

#### MPV (Compact car-C Segment)

216i (B38 A15 A)	Gasolina	FWD	1499	75	102	02.15-02.18	■
216i (B38 A15 A)	Gasolina	FWD	1499	80	109	03.18-10.21	■
214 d (B37 C15 A)	Diesel	FWD	1496	70	95	07.14-02.18	■

### MINI

#### MINI (F57) 11.14-

#### Convertible (Supermini car-B Segment)

One (B38 A12 A)	Gasolina	FWD	1198	75	102	03.16-10.17	■
One (B38 A15 A)	Gasolina	FWD	1499	75	102	11.17-	■
Cooper (B36 A15 A)	Gasolina	FWD	1499	100	136	11.15-	■
Cooper (B38 A15 A)	Gasolina	FWD	1499	100	136	11.15-	■
Cooper S (B46 A20 A)	Gasolina	FWD	1998	120	163	11.14-	■
Cooper S (B48 A20 A)	Gasolina	FWD	1998	120	163	11.14-	■
John Cooper Works (B48 A20 B)	Gasolina	FWD	1998	170	231	03.16-	■
Cooper SE	Eléctrico	FWD		135	184	04.23-	■
Cooper D (B37 C15 A)	Diesel	FWD	1496	85	116	11.15-	■
Cooper SD (B47 C20 A)	Diesel	FWD	1995	120	163	05.15-07.19	■
Cooper SD (B47 C20 B)	Diesel	FWD	1995	120	163	05.15-07.19	■

#### MINI (F55) 09.13-

#### Hatchback (Supermini car-B Segment)

One First (B38 A12 A)	Gasolina	FWD	1198	55	75	11.14-10.17	■
One First (B38 A12 A)	Gasolina	FWD	1198	55	75	07.14-10.17	■
One (B38 A12 A)	Gasolina	FWD	1198	75	102	05.14-10.17	■
One (B38 A12 A)	Gasolina	FWD	1198	75	102	04.14-10.17	■
One First (B38 A15 A)	Gasolina	FWD	1499	55	75	11.17-	■

## LISTA DE APLICACIONES - BUYERS GUIDE

One First (B38 A15 A)	Gasolina	FWD	1499	55	75	11.17-	■	
One (B38 A15 A)	Gasolina	FWD	1499	75	102	11.17-	■	
One (B38 A15 A)	Gasolina	FWD	1499	75	102	11.17-	■	
Cooper (B36 A15 A)	Gasolina	FWD	1499	100	136	07.14-	■	
Cooper (B38 A15 A)	Gasolina	FWD	1499	100	136	07.14-	■	
Cooper (B36 A15 A)	Gasolina	FWD	1499	100	136	12.13-	■	
Cooper (B38 A15 A)	Gasolina	FWD	1499	100	136	12.13-	■	
Cooper S (B48 A20 A)	Gasolina	FWD	1998	131	178	11.20-	■	
Cooper S (B48 A20 F)	Gasolina	FWD	1998	131	178	11.20-	■	
Cooper SE / Electric (IB1P25B)	Eléctrico	FWD		75	102	11.19-	■	
Cooper SE / Electric (IB1P25B)	Eléctrico	FWD		135	184	11.19-	■	
One D (B37 C15 A)	Diesel	FWD	1496	70	95	11.14-	■	
One D (B37 C15 A)	Diesel	FWD	1496	70	95	03.14-	■	
Cooper D (B37 C15 A)	Diesel	FWD	1496	85	116	07.14-	■	
Cooper D (B37 C15 A)	Diesel	FWD	1496	85	116	12.13-	■	
<b>MINI CLUBMAN II (F54) 11.14-</b>					<b>Estate (Supermini car-B Segment)</b>			
One (B38 A15 A)	Gasolina	FWD	1499	75	102	11.15-01.24	■	
One D (B37 C15 A)	Diesel	FWD	1496	85	116	11.15-01.24	■	