

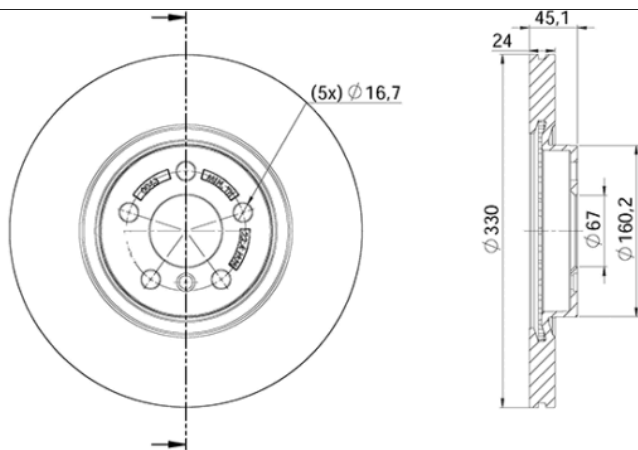
LISTA DE APLICACIONES - BUYERS GUIDE

78BD0043-2



Weight: 18.700

O.E.M.	MAKE
09C35111	LEYLAND
34 11 6 799 353	BMW
34 11 6 865 713	BMW
34106888686	BMW
34106891080V	BMW
34106897427	BMW (BRILLIANCE)
34116860961	BMW
6860961	BMW
6897427	BMW (BRILLIANCE)



78BD0043-2

E1 90R-02C0074/1421



Ø330x24x45.1

MAKE
BMW
MINI



Trac.	CC	Kw	CV	Hourglass icon	Front / Rear
-------	----	----	----	----------------	--------------

BMW

1 Serie III (F40) 07.19-						Hatchback (Compact car-C Segment)			
120 i (B48 A20 A)	Gasolina	FWD	1998	131	178	11.20-	■		
120 i (B48 A20 F)	Gasolina	FWD	1998	131	178	11.20-	■		
120 d (B47 C20 B)	Diesel	FWD	1995	140	190	03.20-	■		
120 d xDrive (B47 C20 B)	Diesel	4WD	1995	140	190	07.19-	■		
2 Active Tourer (F45) 11.13-						MPV (Compact car-C Segment)			
225 i (B48 A20 B)	Gasolina	FWD	1998	170	231	11.13-12.19	■		
225 i xDrive (B48 A20 B)	Gasolina	4WD	1998	170	231	03.14-10.21	■		
225 xe Plug-in-Hybrid (B38 A15 A)	Gasol./el éc.	4WD	1499	100	136	11.14-	■		
225 xe Plug-in-Hybrid (IA1)	Gasol./el éc.	4WD	1499	100	136	11.14-	■		
225 xe Plug-in-Hybrid (B38 A15 A)	Gasol./el éc.	4WD	1499	162	220	11.20-10.21	■		
225 xe Plug-in-Hybrid (IA1)	Gasol./el éc.	4WD	1499	162	220	11.20-10.21	■		
225 xe Plug-in-Hybrid (B38 A15 A)	Gasol./el éc.	4WD	1499	165	224	11.14-10.21	■		
225 xe Plug-in-Hybrid (IA1)	Gasol./el éc.	4WD	1499	165	224	11.14-10.21	■		
2 Gran Coupe (F44) 11.19-						Coupe (Compact car-C Segment)			
220 i (B48 A20 A)	Gasolina	FWD	1998	131	178	11.20-	■		
220 i (B48 A20 F)	Gasolina	FWD	1998	131	178	11.20-	■		
220 i xDrive	Gasolina	4WD	1998	131	178	03.21-	■		
220 d (B47 C20 B)	Diesel	FWD	1995	120	163	11.19-	■		
220 d xDrive (B47 C20 B)	Diesel	4WD	1995	140	190	07.20-10.24	■		

LISTA DE APLICACIONES - BUYERS GUIDE

2 Gran Tourer (F46) 07.14-					MPV (Compact car-C Segment)			
216i (B38 A15 A)		Gasolina	FWD	1499	75	102	07.15-02.18	■
218i (B38 A15 A)		Gasolina	FWD	1499	103	140	04.17-	■
220 i (B48 A20 A)		Gasolina	FWD	1998	120	163	03.15-	■
220 i (B48 A20 A)		Gasolina	FWD	1998	131	178	11.20-	■
220 i (B48 A20 F)		Gasolina	FWD	1998	131	178	11.20-	■
220 i (B48 A20 A)		Gasolina	FWD	1998	141	192	03.15-	■
218d (B47 C20 A)		Diesel	FWD	1995	100	136	07.14-	■
218d (B47 C20 B)		Diesel	FWD	1995	100	136	07.14-	■
218 d xDrive (B47 C20 A)		Diesel	4WD	1995	100	136	03.15-	■
218 d xDrive (B47 C20 B)		Diesel	4WD	1995	100	136	03.15-	■
220 d (B47 C20 A)		Diesel	FWD	1995	120	163	09.14-	■
220 d (B47 C20 B)		Diesel	FWD	1995	120	163	09.14-	■
220 d xDrive (B47 C20 A)		Diesel	4WD	1995	120	163	03.15-	■
220 d xDrive (B47 C20 B)		Diesel	4WD	1995	120	163	03.15-	■
220 d (B47 C20 A)		Diesel	FWD	1995	140	190	09.14-	■
220 d (B47 C20 B)		Diesel	FWD	1995	140	190	09.14-	■
220 d xDrive (B47 C20 A)		Diesel	4WD	1995	140	190	03.15-	■
220 d xDrive (B47 C20 B)		Diesel	4WD	1995	140	190	03.15-	■
2 Gran Tourer Van (F46) 07.14-					Box Body/MPV (Compact car-C Segment)			
218i (B38 A15 A)		Gasolina	FWD	1499	103	140	04.17-	■
2 Serie (F23) 03.14-					Convertible (Compact car-C Segment)			
225 i (B48 B20 A)		Gasolina	RWD	1998	135	184	10.17-06.21	■
2 Serie II Active Tourer (U06) 11.21-					MPV (Compact car-C Segment)			
223i Mild Hybrid		Gasol./el éc.	FWD	1998	160	218	11.21-	■
223i Mild Hybrid xDrive (B48 A20 P)		Gasol./el éc.	4WD	1998	160	218	03.22-	■
223 d Mild Hybrid xDrive		Diesel/el éc.	4WD	1995	155	211	07.22-	■
X1 II (F48) 11.14-					SUV (Compact SUV-J Segment)			
sDrive20i (B48 A20 A)		Gasolina	FWD	1998	131	178	11.20-06.22	■
sDrive20i (B48 A20 F)		Gasolina	FWD	1998	131	178	11.20-06.22	■
xDrive20i (B48 A20 A)		Gasolina	4WD	1998	131	178	11.20-06.22	■
xDrive20i (B48 A20 F)		Gasolina	4WD	1998	131	178	11.20-06.22	■
sDrive20i (B42 S20 A)		Gasolina	FWD	1998	141	192	07.15-06.22	■
sDrive20i (B48 A20 A)		Gasolina	FWD	1998	141	192	07.15-06.22	■
sDrive20i (B48 A20 F)		Gasolina	FWD	1998	141	192	07.15-06.22	■
xDrive20i (B48 A20 A)		Gasolina	4WD	1998	141	192	07.15-06.22	■
xDrive20i (B48 A20 B)		Gasolina	4WD	1998	141	192	07.15-06.22	■
xDrive20i (B48 A20 F)		Gasolina	4WD	1998	141	192	07.15-06.22	■
xDrive 25 i (B42 S20 A)		Gasolina	4WD	1998	170	231	07.15-10.21	■
xDrive 25 i (B46 A20 B)		Gasolina	4WD	1998	170	231	07.15-10.21	■
xDrive 25 i (B48 A20 B)		Gasolina	4WD	1998	170	231	07.15-10.21	■
xDrive 25 e Plug-in-Hybrid (B38 A15 A)		Gasol./el éc.	4WD	1499	162	220	03.20-06.22	■
sDrive 20 d (B47 C20 A)		Diesel	FWD	1995	120	163	11.15-05.22	■
sDrive 20 d (B47 C20 B)		Diesel	FWD	1995	120	163	11.15-05.22	■
xDrive 20 d (B47 C20 A)		Diesel	4WD	1995	120	163	07.15-06.22	■
xDrive 20 d (B47 C20 B)		Diesel	4WD	1995	120	163	07.15-06.22	■
sDrive 20 d (B47 C20 A)		Diesel	FWD	1995	140	190	11.15-05.22	■

LISTA DE APLICACIONES - BUYERS GUIDE

sDrive 20 d (B47 C20 B)		Diesel	FWD	1995	140	190	11.15-05.22	■	
xDrive 20 d (B47 C20 A)		Diesel	4WD	1995	140	190	07.15-06.22	■	
xDrive 20 d (B47 C20 B)		Diesel	4WD	1995	140	190	07.15-06.22	■	
xDrive 25 d (B47 C20 B)		Diesel	4WD	1995	170	231	11.14-05.22	■	
X1 II Van (F48) 07.15-					SUV Van (Compact SUV-J Segment)				
sDrive20i (B48 A20 A)		Gasolina	FWD	1998	141	192	07.17-06.22	■	
sDrive 20 d (B47 C20 A)		Diesel	FWD	1995	140	190	11.15-05.22	■	
sDrive 20 d (B47 C20 B)		Diesel	FWD	1995	140	190	11.15-05.22	■	
xDrive 20 d (B47 C20 A)		Diesel	4WD	1995	140	190	07.15-06.22	■	
xDrive 20 d (B47 C20 B)		Diesel	4WD	1995	140	190	07.15-06.22	■	
X1 III (U11) 07.22-					SUV (Compact SUV-J Segment)				
sDrive20i		Gasolina	FWD	1499	110	150	11.22-	■	
sDrive 20 i Mild-Hybrid		Gasol./el éc.	FWD	1499	125	170	11.22-	■	
xDrive 25 e Plug-in-Hybrid		Gasol./el éc.	4WD	1499	180	245	07.22-	■	
iX1 xDrive 30		Eléctrico	4WD		200	272	11.22-	■	
X2 (F39) 11.17-					SUV (Compact SUV-J Segment)				
sDrive20i (B48 A20 A)		Gasolina	FWD	1998	131	178	11.20-10.23	■	
sDrive20i (B48 A20 F)		Gasolina	FWD	1998	131	178	11.20-10.23	■	
xDrive20i (B48 A20 A)		Gasolina	4WD	1998	131	178	11.20-10.23	■	
xDrive20i (B48 A20 A)		Gasolina	4WD	1998	141	192	03.18-10.23	■	
xDrive 25 e Plug-in-Hybrid (B38 A15 A)		Gasol./el éc.	4WD	1499	162	220	03.20-10.23	■	
sDrive 20 d (B47 C20 A)		Diesel	FWD	1995	120	163	11.18-10.23	■	
sDrive 20 d (B47 C20 B)		Diesel	FWD	1995	120	163	11.18-10.23	■	
xDrive 20 d (B47 C20 A)		Diesel	4WD	1995	120	163	11.17-10.23	■	
xDrive 20 d (B47 C20 B)		Diesel	4WD	1995	120	163	11.17-10.23	■	
sDrive 20 d (B47 C20 A)		Diesel	FWD	1995	140	190	11.18-10.23	■	
sDrive 20 d (B47 C20 B)		Diesel	FWD	1995	140	190	11.18-10.23	■	
xDrive 20 d (B47 C20 A)		Diesel	4WD	1995	140	190	11.17-10.23	■	
xDrive 20 d (B47 C20 B)		Diesel	4WD	1995	140	190	11.17-10.23	■	
xDrive 25 d (B47 C20 B)		Diesel	4WD	1995	170	231	11.17-09.23	■	
MINI									
MINI COUNTRYMAN II (F60) 10.16-					Estate (Supermini car-B Segment)				
Cooper S (B46 A20 A)		Gasolina	FWD	1998	120	163	10.16-	■	
Cooper S (B48 A20 A)		Gasolina	FWD	1998	120	163	10.16-	■	
Cooper S ALL4 (B46 A20 A)		Gasolina	4WD	1998	120	163	10.16-	■	
Cooper S ALL4 (B48 A20 A)		Gasolina	4WD	1998	120	163	10.16-	■	
Cooper S (B46 A20 A)		Gasolina	FWD	1998	131	178	07.20-	■	
Cooper S (B48 A20 A)		Gasolina	FWD	1998	131	178	07.20-	■	
Cooper S (B48 A20 F)		Gasolina	FWD	1998	131	178	07.20-	■	
Cooper S ALL4 (B46 A20 A)		Gasolina	4WD	1998	131	178	07.20-	■	
Cooper S ALL4 (B48 A20 A)		Gasolina	4WD	1998	131	178	07.20-	■	
Cooper S ALL4 (B48 A20 F)		Gasolina	4WD	1998	131	178	07.20-	■	
Cooper S (B46 A20 A)		Gasolina	FWD	1998	141	192	10.16-	■	
Cooper S (B48 A20 A)		Gasolina	FWD	1998	141	192	10.16-	■	
Cooper S ALL4 (B46 A20 A)		Gasolina	4WD	1998	141	192	10.16-	■	
Cooper S ALL4 (B48 A20 A)		Gasolina	4WD	1998	141	192	10.16-	■	
Cooper SE (B38 A15 A)		Gasol./el éc.	4WD	1499	162	220	07.20-	■	
Cooper SE (IA1)		Gasol./el éc.	4WD	1499	162	220	07.20-	■	

LISTA DE APLICACIONES - BUYERS GUIDE

Cooper SE ALL4 (B38 A15 A)		Gasol./el éc.	4WD	1499	165	224	01.17-	■
Cooper SE ALL4 (IA1)		Gasol./el éc.	4WD	1499	165	224	01.17-	■
Cooper SD (B47 C20 A)		Diesel	FWD	1995	120	163	10.16-	■
Cooper SD (B47 C20 B)		Diesel	FWD	1995	120	163	10.16-	■
Cooper SD ALL4 (B47 C20 A)		Diesel	4WD	1995	120	163	10.16-	■
Cooper SD ALL4 (B47 C20 B)		Diesel	4WD	1995	120	163	10.16-	■
Cooper SD (B47 C20 A)		Diesel	FWD	1995	140	190	10.16-	■
Cooper SD (B47 C20 B)		Diesel	FWD	1995	140	190	10.16-	■
Cooper SD ALL4 (B47 C20 A)		Diesel	4WD	1995	140	190	10.16-	■
Cooper SD ALL4 (B47 C20 B)		Diesel	4WD	1995	140	190	10.16-	■